

# GL-LED Down Light surface Mount User's Manual

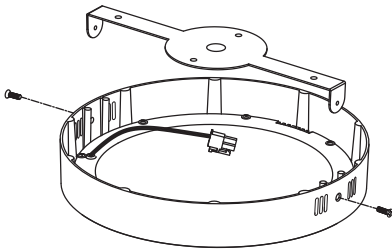


Thank you for choosing the GL-LED Down Light Surface Mount series LED products. Please install and use the products according to the following directions to ensure the normal function and proper operation of the products. If not to follow these instructions to properly install and normally use the products, you will not get the warranty-committed compensation or protection. We will not take any responsibility for any product damage caused by improper installation or abnormal usage.

## Installation Guidelines

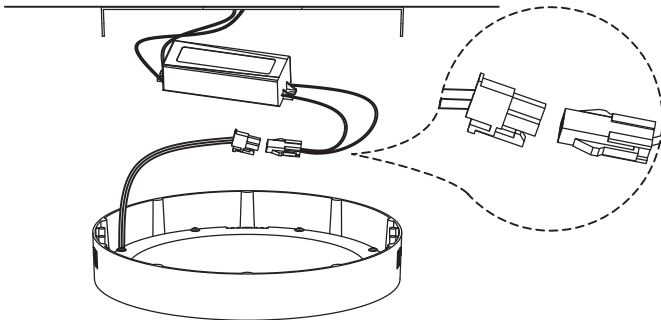
### Step 1.

Remove the screws and the brace.



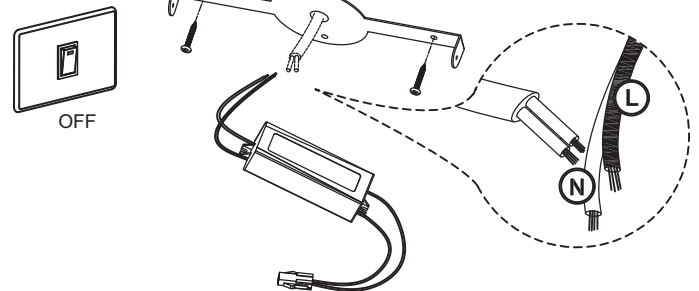
### Step 3.

Connect the power cord of lighting fixture to the driver.



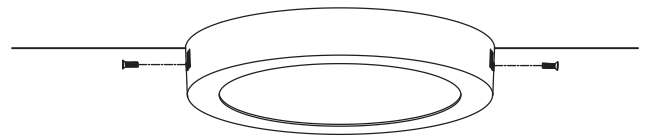
### Step 2.

Attach the brace to the ceiling and connect the driver to the power wires.



### Step 4.

The driver will be contained in the lighting fixture. Secure the brace inside the fixture by screws on both ends to finish installation.



## Instructions

To ease the installation process and ensure the optimal performance of the product, carry out the installation procedure in compliance with the following safety regulations.

- Unpack carefully and ensure there is no product damage during shipping. Should the product be found damaged during shipping, please return it to your supplier.
- Unless otherwise specified, never connect the device with any dimmer switch.
- All the electrical wiring necessary for the proper installation of the LED Down Light is supposed to be conducted by qualified personnel to prevent electric shock or product damage.
- Avoid humidity. Should the LED Down Light be moistened by any liquid or fluid that may conduct electricity, immediately disconnect it from the power source.
- In case of a malfunction, turn off the power source immediately. Never try to repair the LED Down Light by yourself which may cause serious damage and void your warranty. Instead, contact your local dealer for technical assistance.
- Please recycle the package.

## Lamp

- Never touch the luminaire when it turns on or gets hot.
- Unless otherwise specified, never use LED luminaires in humid environments.
- Appropriate ambient temperature: -20 to 40°C.

## Troubleshooting

- One of the following problems may appear while you use the LED lamp.
  - \* No light :  
Check whether your LED lamp and all other accessories are properly fitted into the fixture adequately connected to the specified power source.
  - \* Fixture Cleaning :  
To optimize the light output, we recommend that you periodically clean the internal and external optical lenses as well as the reflection mirrors. Only use a dry soft cloth, a dust brush or a vacuum cleaner and never use any liquid chemical cleaner or water to clean the lamp.

## CAUTIONS

- 1. If the external flexible cable or cord of this luminaire is damaged, it shall be exclusively replaced by the manufacturer or his service agent or a similar qualified person in order to avoid a hazard.**
- 2. Prior to installation, remove the AC power.**

# GL-DL-SM 系列 使用手冊

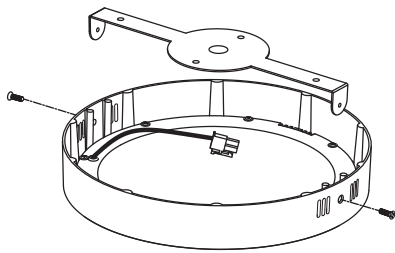
感謝您選擇使用GL-DL-SM筒燈系列LED燈具。請您依據下列說明指示來安裝本產品以確保本產品的正常運作。如您未按說明指示妥善安裝以及正常使用，您的產品將無法得到正常的保修補償。不正常的安裝與使用所造成的產品損壞，本公司具免責權利。



## 安裝指南

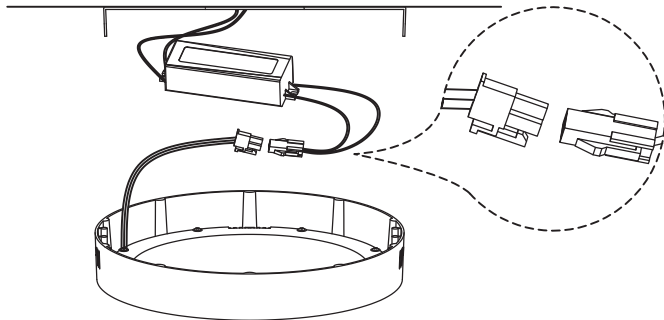
### 步驟一.

移除螺絲，卸下支架



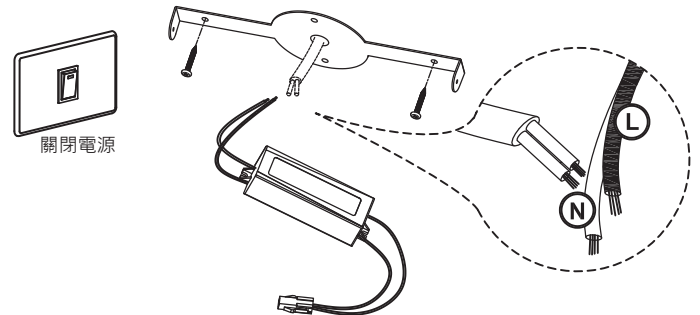
### 步驟三.

連接燈具與電源驅動器



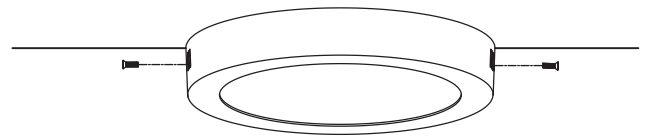
### 步驟二.

固定支架於天花板並連接電源線與驅動器



### 步驟四.

將電源驅動器置於燈具內並以兩側螺絲鎖附於支架上即完成安裝



## 指示說明

為了本產品安裝便利性與產品最佳表現，請遵照下列安全規定執行安裝。

- 小心地拆卸包裝並確認運送過程中產品無造成損害。若發現任何運送損害請退回給供應廠商。
- 除特別指定，勿將本產品連接至調光開關。
- 任何關於電氣特性的連接或安裝，請委由合格的施工人員進行，以避免人員或產品傷害。
- 任何因液體接觸造成本產品潮溼皆會有導電情況，請即刻移除電源。
- 萬一發生故障，請即刻關閉電源。切勿試圖逕行修復本產品否則將可能導致產品嚴重損壞與喪失保固。應聯絡您的經銷商尋求技術協助。
- 請回收包裝材料。

## 燈具使用注意事項

- 燈具點亮或發熱時，請勿觸碰燈具。
- 除特別指定，不要將燈具安裝在潮溼的環境。
- 適合安裝的環境溫度為 -20~40°C。

## 故障排除

- 當你使用燈具時，可能會出現以下問題。
  - \* 燈具不亮：  
請檢查燈具的電源線是否適切地連接。
  - \* 燈具清潔：  
建議周期性地以乾軟布擦拭、塵刷或吸塵器清潔燈具，勿用水或化學液體清潔燈具。

## 警告

1. 如果燈具外部纜線有損壞，應當由製造商、代理商或符合資格的施工人員做更換，以避免危險。
2. 安裝前，請確實關閉交流電源。