



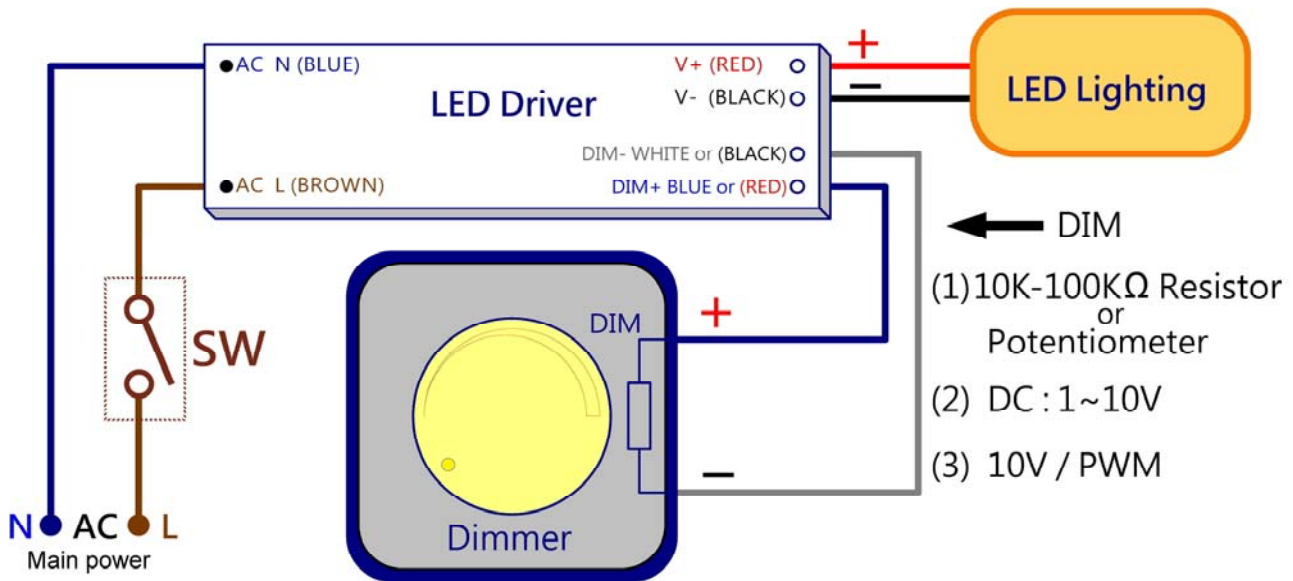
3in 1 Dimmable Function Description (1-10V)

- ◆ Connecting a variable resistor/ 1~10 V Direct Voltage or a 10V / PWM signal can adjust the output of constant current.
- ◆ Connecting "DIM +/—"to "V +/—"may damage the LED driver.
- ◆ When the control cable DIM +/— is open, V +/— output will reach 100%.
- ◆ The 3 in 1 Dimmer is not capable of turning off the LED light completely. To turn off the light, we would recommend you to use the dimmer with a switch.

In order to turn off the main power for the LED driver, we recommend installing an external switch.

Please refer to the diagram.

About Electronic Potentiometer Refer to: <http://www.glaciallight.com/products/PDF/GL-EC013.pdf>

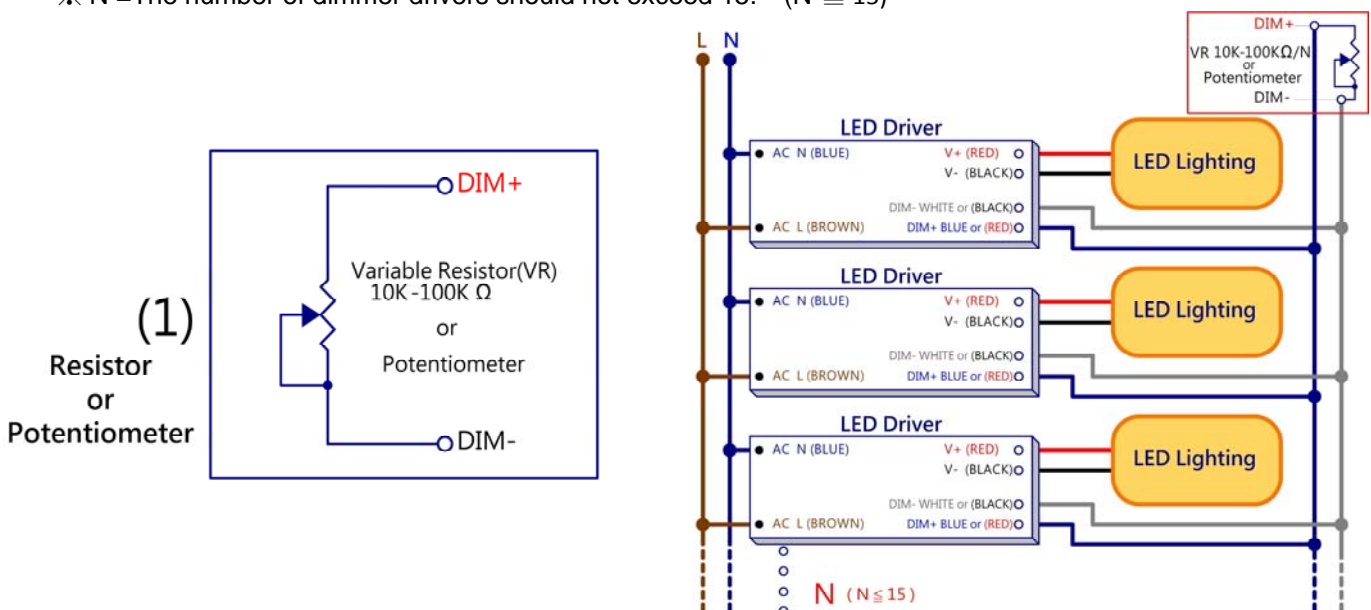


- ◆ (1) 10K-100KΩ Resistor Dimmable (Typical) :

| Resistor Ω | Single-driver | 10K | 20K | 30K | 40K | 50K | 60K | 70K | 80K | 90K | 100K |
|---------------|---------------|--------------|-------|-------|-------|-------|-------|-------|-------|-------|-------|
| | | Multi-driver | 10K/N | 20K/N | 30K/N | 40K/N | 50K/N | 60K/N | 70K/N | 80K/N | 90K/N |
| | out (%) | 10% | 20% | 30% | 40% | 50% | 60% | 70% | 80% | 90% | 100% |

※The length of extended wire for DIM +/— shall not exceed 20 meters. (Wire ≤ 20m)

※ N =The number of dimmer drivers should not exceed 15. (N ≤ 15)

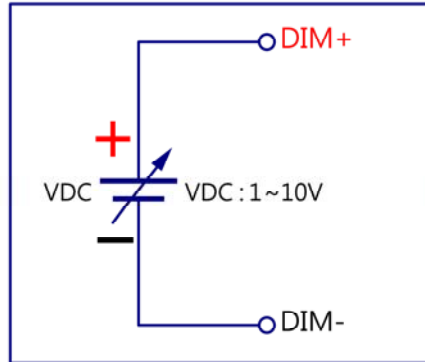




◆ (2) DC : 1-10V Dimmable (Typical) :

| | | | | | | | | | | |
|---------------|-----|-----|-----|-----|-----|-----|-----|-----|-----|------|
| DIM (Voltage) | 1V | 2V | 3V | 4V | 5V | 6V | 7V | 8V | 9V | 10V |
| lout (%) | 10% | 20% | 30% | 40% | 50% | 60% | 70% | 80% | 90% | 100% |

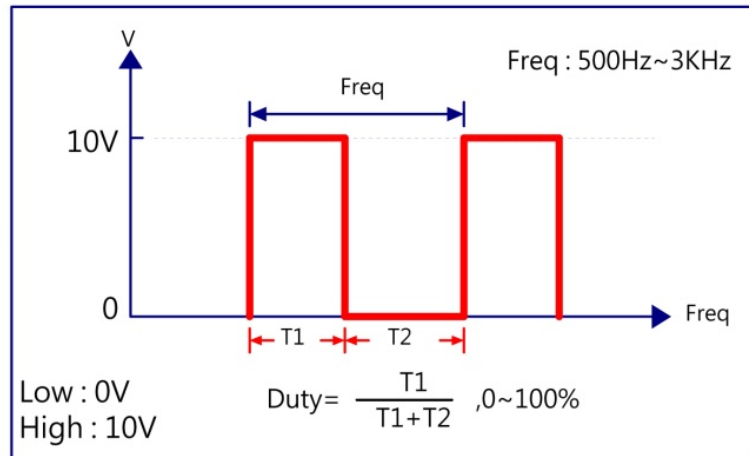
(2)
1~10V



◆ (3) 10V / PWM Dimmable (Typical) :

| | | | | | | | | | | |
|-----------------|-----|-----|-----|-----|-----|-----|-----|-----|-----|------|
| DIM (10V / PWM) | 10% | 20% | 30% | 40% | 50% | 60% | 70% | 80% | 90% | 100% |
| lout (%) | 10% | 20% | 30% | 40% | 50% | 60% | 70% | 80% | 90% | 100% |

(3)
10V / PWM

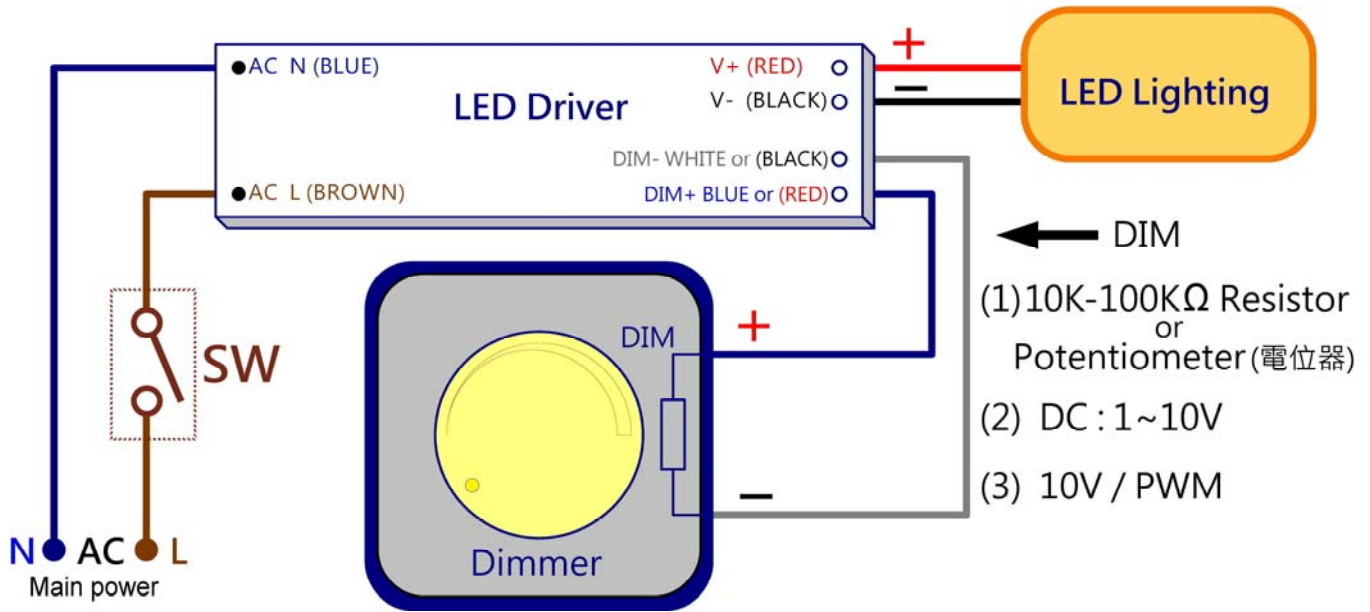




3 合 1 調光功能說明 (1-10V)

- ◆ 在 DIM+ 和 DIM- 之間連接一個可變電阻或連接 1~10V 直流電壓或 10V / PWM 信號，可調整恆定電流輸出。
- ◆ 勿將 DIM+/- 與 V+/- 相連接，這樣會造成 LED 驅動器損壞。
- ◆ 當控制線 DIM+/- 開路(open)時，V+/- 輸出為 100%。
- ◆ 3 合 1 調光驅動器不能將 LED 照明完全關閉(0%)，要達到 LED Driver 主電源(main power)完全關閉，建議安裝一個外部開關(SW)，請參考下列連接方法。

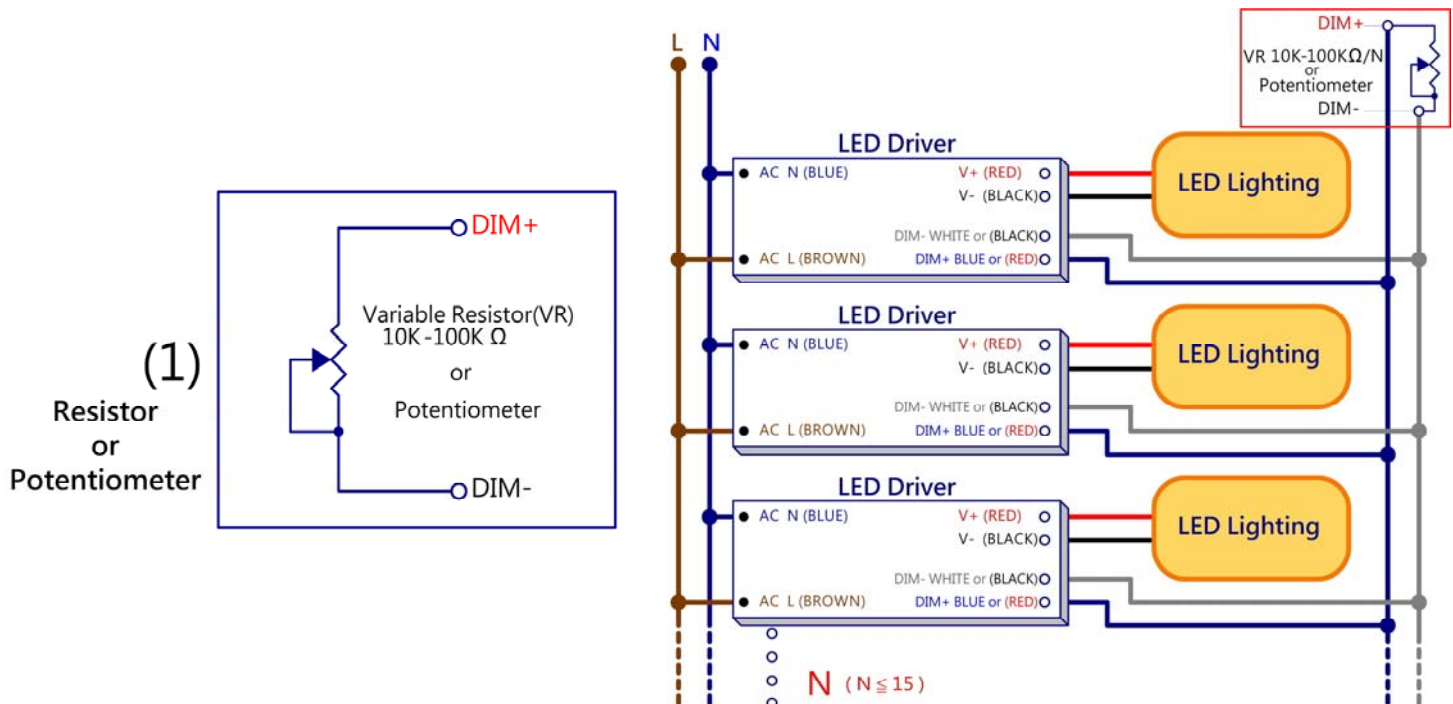
關於 Potentiometer(電位器)請參考: <http://www.glaciallight.com/products/PDF/GL-EC013.pdf>



◆ (1) 10K-100KΩ Resistor Dimmable (Typical) :

| Resistor Ω | Single-driver | 10K | 20K | 30K | 40K | 50K | 60K | 70K | 80K | 90K | 100K |
|---------------|---------------|-------|-------|-------|-------|-------|-------|-------|-------|-------|--------|
| | Multi-driver | 10K/N | 20K/N | 30K/N | 40K/N | 50K/N | 60K/N | 70K/N | 80K/N | 90K/N | 100K/N |
| Iout (%) | | 10% | 20% | 30% | 40% | 50% | 60% | 70% | 80% | 90% | 100% |

※ DIM+/- 接線長度不可超過 20 公尺, (Wire≤20m) · ※ N=同步調光功能 LED 驅動器數目，最多不可超過 15 台 (N≤15)

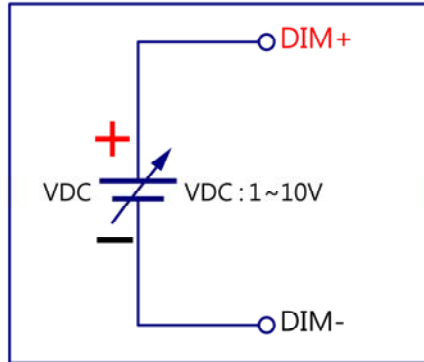




◆ (2) DC : 1-10V Dimmable (Typical) :

| | | | | | | | | | | |
|---------------|-----|-----|-----|-----|-----|-----|-----|-----|-----|------|
| DIM (Voltage) | 1V | 2V | 3V | 4V | 5V | 6V | 7V | 8V | 9V | 10V |
| lout (%) | 10% | 20% | 30% | 40% | 50% | 60% | 70% | 80% | 90% | 100% |

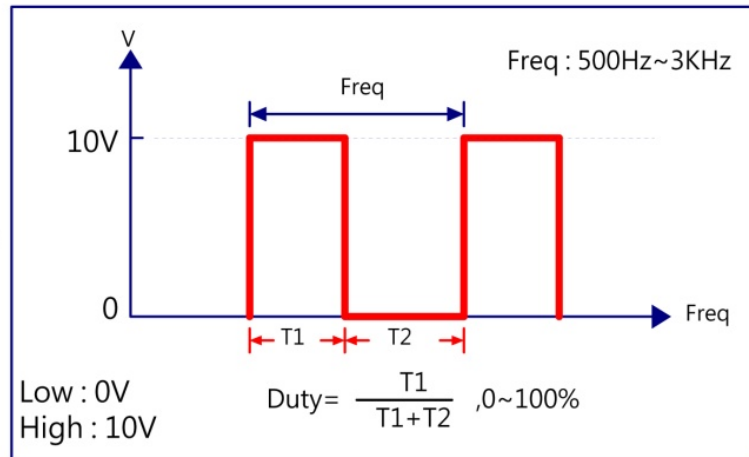
(2)
1~10V



◆ (3) 10V / PWM Dimmable (Typical) :

| | | | | | | | | | | |
|-----------------|-----|-----|-----|-----|-----|-----|-----|-----|-----|------|
| DIM (10V / PWM) | 10% | 20% | 30% | 40% | 50% | 60% | 70% | 80% | 90% | 100% |
| lout (%) | 10% | 20% | 30% | 40% | 50% | 60% | 70% | 80% | 90% | 100% |

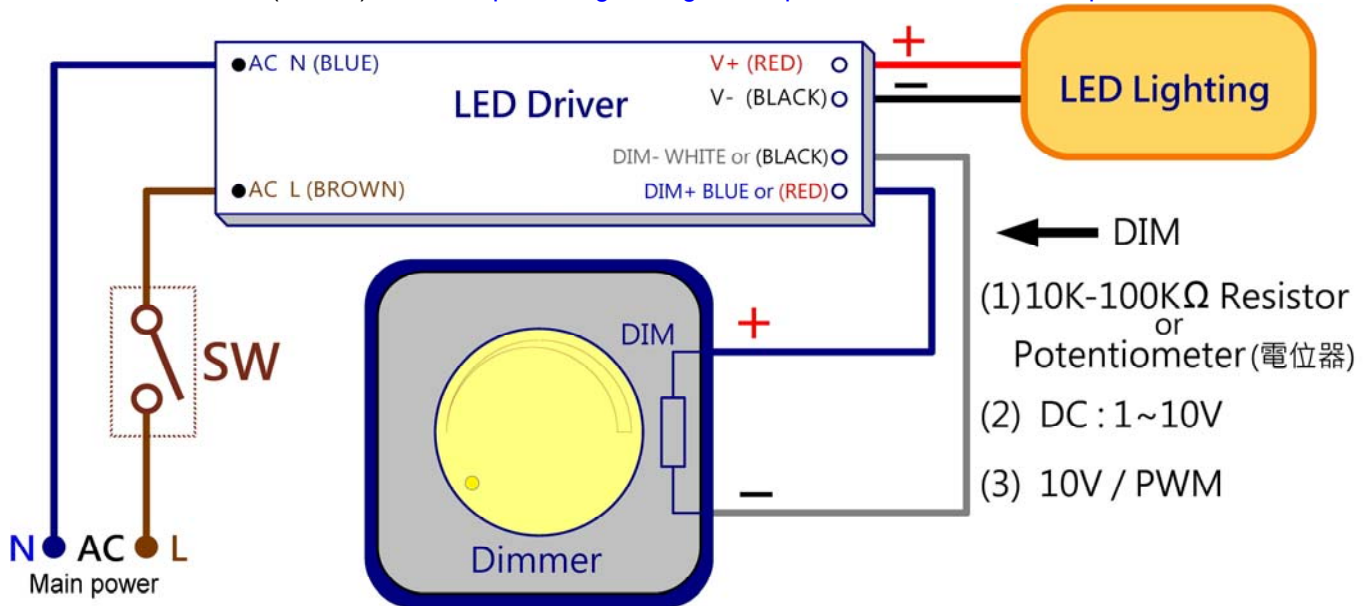
(3)
10V / PWM



3 合 1 调光功能说明 (1-10V)

- ◆ 在 DIM+ 和 DIM- 之间连接一个可变电阻或连接 1~10V 直流电压或 10V / PWM 信号，可调整恒定电流输出。
- ◆ 勿将 DIM+/- 与 V+/- 相连接，这样会造成 LED 驱动器损坏。
- ◆ 当控制线 DIM+/- 开路(open)时，V+/- 输出为 100%。
- ◆ 3 合 1 调光驱动器不能将 LED 照明完全关闭(0%)，要达到 LED Driver 主电源(main power)完全关闭，建议安装一个外部开关(SW)，请参考下列连接方法。

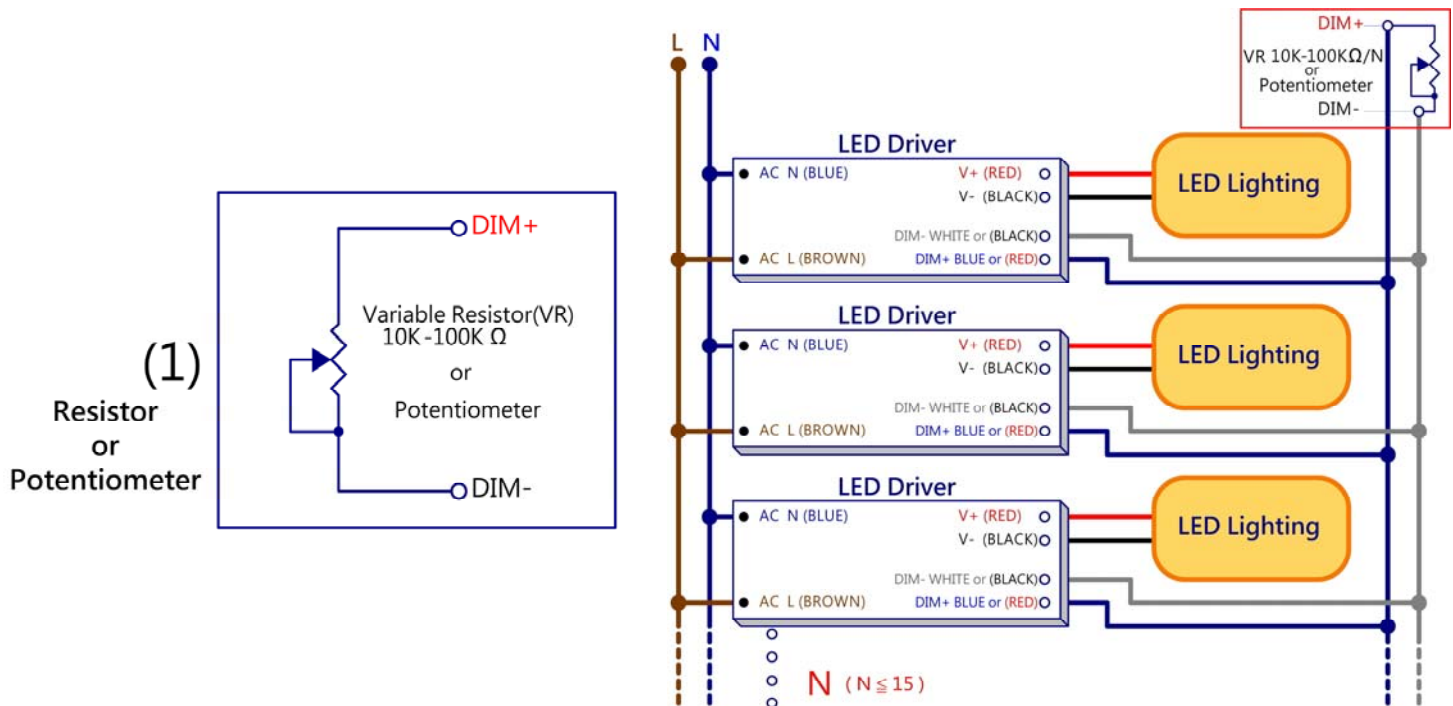
关于 Potentiometer(电位器)请参考: <http://www.glaciallight.com/products/PDF/GL-EC013.pdf>



◆ (1) 10K-100KΩ Resistor Dimmable (Typical) :

| Resistor Ω | Single-driver | 10K | 20K | 30K | 40K | 50K | 60K | 70K | 80K | 90K | 100K |
|---------------|---------------|--------------|-------|-------|-------|-------|-------|-------|-------|-------|-------|
| | | Multi-driver | 10K/N | 20K/N | 30K/N | 40K/N | 50K/N | 60K/N | 70K/N | 80K/N | 90K/N |
| Iout (%) | | 10% | 20% | 30% | 40% | 50% | 60% | 70% | 80% | 90% | 100% |

※ DIM+/- 接线长度不可超过 20 公尺, (Wire ≤ 20m) , ※ N=同步调光功能 LED 驱动器数目, 最多不可超过 15 台 (N ≤ 15)

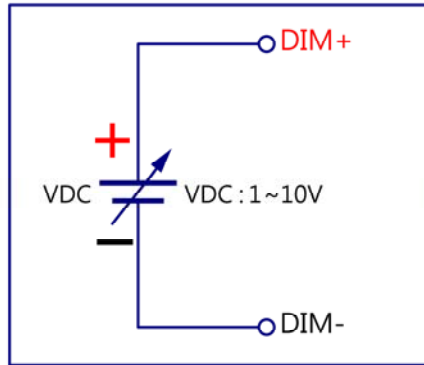




◆ (2) DC : 1-10V Dimmable (Typical) :

| | | | | | | | | | | |
|---------------|-----|-----|-----|-----|-----|-----|-----|-----|-----|------|
| DIM (Voltage) | 1V | 2V | 3V | 4V | 5V | 6V | 7V | 8V | 9V | 10V |
| lout (%) | 10% | 20% | 30% | 40% | 50% | 60% | 70% | 80% | 90% | 100% |

(2)
1~10V



◆ (3) 10V / PWM Dimmable (Typical) :

| | | | | | | | | | | |
|-----------------|-----|-----|-----|-----|-----|-----|-----|-----|-----|------|
| DIM (10V / PWM) | 10% | 20% | 30% | 40% | 50% | 60% | 70% | 80% | 90% | 100% |
| lout (%) | 10% | 20% | 30% | 40% | 50% | 60% | 70% | 80% | 90% | 100% |

(3)
10V / PWM

