



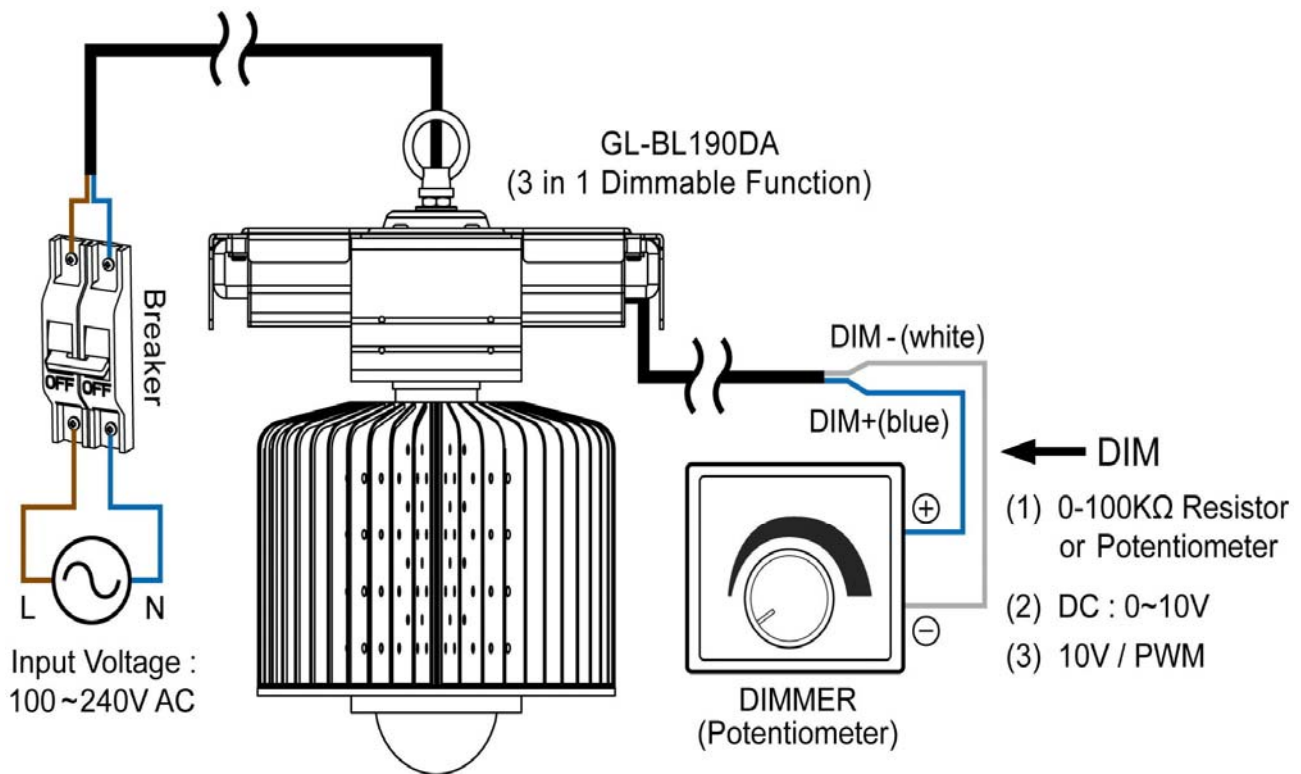
3in 1 Dimmable Function Description (0-10V) GL-BL190DA

- ◆ Connecting a variable resistor/ 0~10 V Direct Voltage or a 10V / PWM signal can adjust the output of constant current.
- ◆ Connecting “DIM +/–”to “V +/–”may damage the LED driver.
- ◆ When the control cable DIM +/– is open, V +/– output will reach 100%.
- ◆ The output current drops down to 0% when the dimming input is about less than 7KΩ / 0.7Vdc / 10V PWM signal with 7% duty cycle.

In order to turn off the main power for the LED driver, we recommend installing an external switch.

Please refer to the diagram.

About Electronic Potentiometer Refer to: <http://www.glaciallight.com/products/PDF/GL-EC013.pdf>





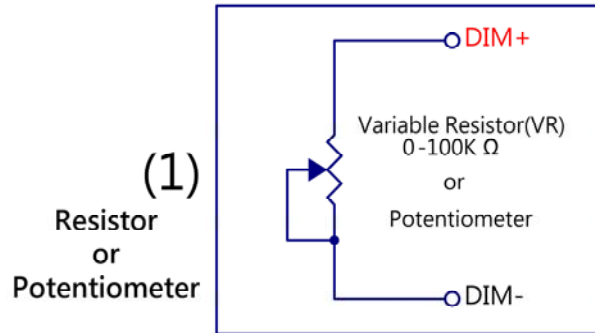
◆ (1) 0-100KΩ Resistor Dimmable (Typical) :

Resistor Ω	Single-driver	Short	10K	20K	30K	40K	50K	60K	70K	80K	90K	100K
	Multi-driver	Short/N	10K/N	20K/N	30K/N	40K/N	50K/N	60K/N	70K/N	80K/N	90K/N	100K/N
Iout (%)		0%	4%	15%	26%	36%	47%	58%	68%	79%	90%	100%

※ The length of extended wire for DIM+/- shall not exceed 20 meters. (Wire ≤ 20m)

※ N =The number of dimmer drivers should not exceed 15. (N ≤ 15)

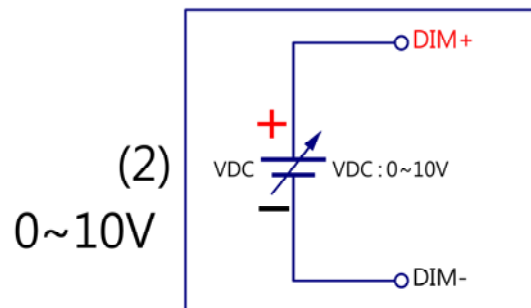
※DIM+/- <7KΩ or 7KΩ/N, Iout 0%



(2) DC : 0-10V Dimmable (Typical) :

DIM (Voltage)	0V	1V	2V	3V	4V	5V	6V	7V	8V	9V	10V
Iout (%)	0%	4%	15%	26%	36%	47%	58%	68%	79%	90%	100%

※ DIM+/- <0.7V, Iout 0%



◆ (3) 10V / PWM Dimmable (Typical) :

DIM (10V / PWM)	0%	10%	20%	30%	40%	50%	60%	70%	80%	90%	100%
Iout (%)	0%	4%	15%	26%	36%	47%	58%	68%	79%	90%	100%

※ DIM+/- <7%, Iout 0%

