

# GL-Wall Mounted Luminaires

## User's Manual

Thank you for choosing the GL-Wall Mounted Luminaires series LED products. Please install and use the products according to the following directions to ensure the normal function and proper operation of the products. If not to follow these instructions to properly install and normally use the products, you will not get the warranty-committed compensation or protection. We will not take any responsibility for any product damage caused by improper installation or abnormal usage.



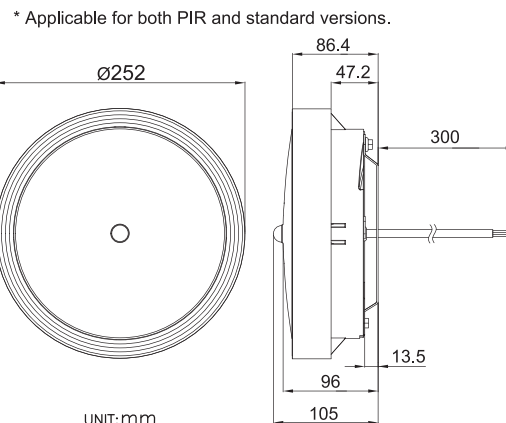
### Specifications

Type	GL-WL1012		GL-WL1012-Sx (PIR sensor)	
	GL-WL1012-WW	GL-WL1012-CW	GL-WL1012-SL-WW GL-WL1012-SH-WW	GL-WL1012-SL-CW GL-WL1012-SH-CW
Energy Used	11.5W		12.5W	
Rated Life	30,000 Hours		30,000 Hours	
Input Voltage	100-240V AC		100-120V AC (GL-WL1012SL) 200-240V AC (GL-WL1012SH)	
Power Factor (PF)	0.88@120V AC, 0.80@240V AC		-	
CCT (Color)	3000K	6000K	3000K	6000K
Luminous Flux	580lm	630lm	580lm	630lm
Luminous Efficacy	50lm/W	55lm/W	46lm/W	50lm/W
CRI	80	80	80	80
Beam Angle	105°		105°	
Dimension	Ø252 x 96 mm		Ø252 x 105 mm	
IP Rating	IP65		IP54	
Operation Temperature	-20°C ~ +40°C		-20°C ~ +40°C	
Net Weight	1.2kg		1.25kg	

### CAUTIONS

- The waterproof warranty of the light fixture will be void if the cap is removed. ( WL1012-Sx PIR version excluded)
- The warranty period will last for two years since you buy the products. If the product fails or malfunctions under the proper installation and normal usage within the warranty period, please send it back to our company with our RMA approval or contact your local distributors for free repairing or replacing services.
- Please do not add/remove any electrical components to/from the products or change/tamper the original electrical design without our permission.
- Please do not add/remove any mechanical components to/from the products or change/tamper the original mechanical design without our permission.
- Please store or use the products in an environment meeting the temperature and humidity conditions designated by the product specifications. Please do not uncover the GL-Wall Mounted Luminaires series LED products, lest waterproof and dustproof become invalid.
- To avoid any electrical shock or functional damage, please do not insert any foreign objects into the products.
- For further information, please contact us.

### GL-Wall Mounted Luminaires Outlook



## GL-WL1012-Sx (PIR sensor)

### PIR SPECIFICATION

Ambient light: 10LUX/2000LUX (Choice)  
 Time-delay: 5sec, 30sec, 1mins, 3mins, 5mins, 8mins  
 Detection distance: 6m max (<24°C)  
 Detection range: 360°  
 Installation Height: 1.8m~2.5m  
 Detection Moving Speed: 0.6~1.5m/s

### TEST

- Slide the LUX switch to SUN position (like the PIC. below is SUN). Slide the SENS switch Δ to maximum (below is the maximum). Adjust the TIME switch, slide 5" switch to ON position. (slide upwards)
- When you switch on the power, and preheat 30 seconds later, the load is turned on, in the absence of no inductor signals, the load should be stopped working within 5-30sec.
- After the first is out, make it sense again after 5~10sec. The load should work. When there is no inductor signals in the indicator lamp, the load should be stopped working within 5sec.
- Slide the LUX switch to MOON position; it is in 10LUX, the load should be not work in the daylight. If you cover the detection window with the opaque objects (towel etc), the load work .under no induction signal condition, the load should stop working within 5-15sec.

### FUNCTION

- Can identify day and night automatically: when turn to SUN (max), it will work day and night, when turn it to MOON (min), it will only work in the ambient light less than 10LUX. As for adjustment, please refer to testing way.
- SENS adjustable: It can be adjusted according to using location; low sensitivity for small room and high sensitivity fits for large room.
- Time-delay is added continually: When it receives the second induction signals after the first induction, it will compute time once more on the rest of the first time-delay basis (set time).
- Time-delay is adjustable: It can be set according to your desire, the minimum is 5sec, and the maximum is 8min.

Detection range: 360°

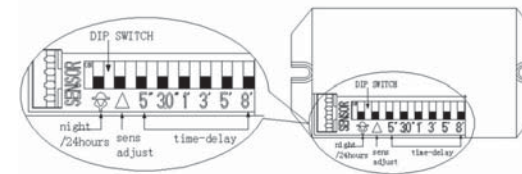


### NOTE

- Should be installed by electrician or experienced person.
- Avoid installing it on the unrest object.
- There should be no hindrance and moving objects in front of the detection windows to effect detection.
- Avoid installing it near air temperature alteration zones such as air condition, central heating, etc.
- Considering your safety, please do not open the cover when you find the hitch after installation.
- If there is difference between instruction and the function the product has, please give priority to product and sorry not to inform you additionally.

### SOME PROBLEM AND SOLVED WAY

- The load do not work:
  - Please check if the connection-wiring of power and load is correct.
  - Please check if the working light sets correspond to ambient light.
- The sensitivity is poor:
  - Please check if there has hindered in front of the detection window to effect to receive the signal.
  - Please check if the ambient temperature is too high.
  - Please check if the induction signal source is in the detection fields.
  - Please check if the installation height corresponds to the height showed in the instruction.
  - Please check if the moving orientation is correct.
- The sensor can not shut off the load automatically:
  - Please check if there is continual signal in the detection field.
  - Please check if the time delay is the longest.
  - Please check if the power corresponds to the instruction.
  - Please check if the temperature near the sensor changes obviously, such as air condition or central heating etc.



Note:

when testing in daylight, please slide LUX switch to (SUN) position, otherwise the sensor lamp could not work!

## Installation Steps

Installation procedure should be undertaken by qualified technical personnel.

A. Before installation, please turn off the power switch for the existing lamp.



B. Please make sure that the specifications of the power connector and the output voltage are compatible to the LED fixture used.

### WL1012:

Power Consumption: 11.5W  
Input Voltage(max.):  
100-240V AC, 50Hz/60Hz

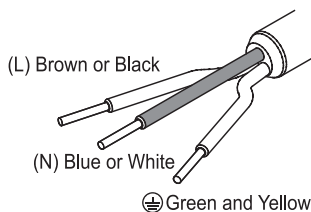
### WL1012-SL:

Power Consumption: 12.5W  
Input Voltage(max.):  
100-120V AC, 50Hz/60Hz

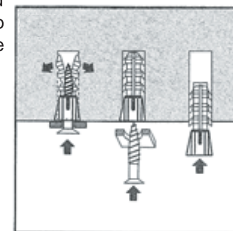
### WL1012-SH:

Power Consumption: 12.5W  
Input Voltage(max.):  
200-240V AC, 50Hz/60Hz

C. At the rear side of the LED fixture, please connect the Live (L) and Neutral (N) terminal are used for connecting to power output. Please follow the standard process to connect them accordingly and do insulation on both terminal respectively.



D.1. Installation for wooden ceilings or walls: Fix trim extension with wood screws directly to the ceiling or wall.  
2. Installation for concrete ceilings or walls:  
a. Refer to the picture above. Place the trim extension to where you want to install it and mark the screw hole location.  
b. Use a drill to drill a 6mm hole and insert the plastic crew anchor into the concrete wall as in the picture show below. Use a hammer to lightly tap the anchor into the hole. Repeat for each hole.  
c. Screw the screws into the plastic screw anchor, fixing the trim extension to the wall or ceiling.



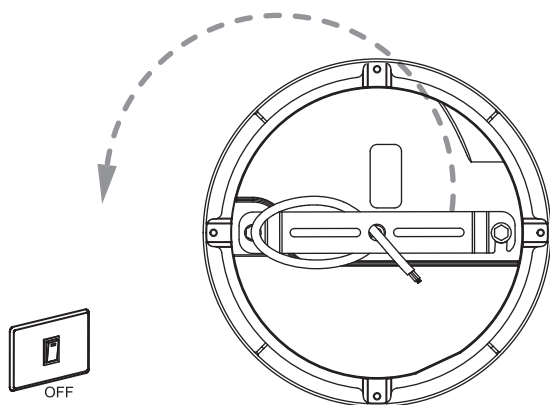
## Notices

1. Do not change or tamper with any internal electric circuits or add in any wires or cables for any reason.
2. Do not change the mechanical design, circuit specifications, or components; do not add any other devices as this may cause the product to short circuit or may create other unforeseen risks.
3. Keep the lamp set in a dry environment in order to avoid any electricity leakage.
4. To avoid electrical shocks and possible malfunction, please do not insert objects of any nature into the LED product.
5. Do not touch while the lamp is on. For any maintenance or replacement, switch off the power and wait for 30 minutes to let the lamp cool down.
6. For further information, please contact with us.

\* Applicable for both PIR and standard versions.

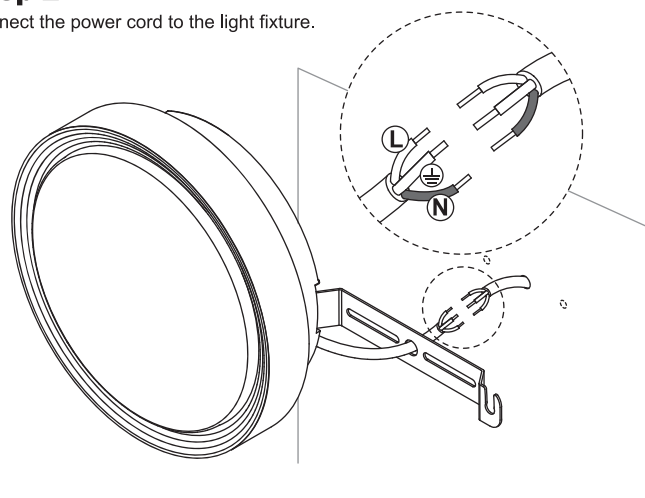
### Step 1.

Turn the mounting latch anticlockwise 180 degrees.



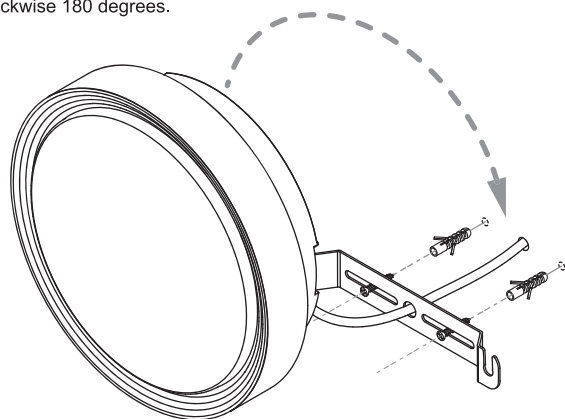
### Step 2.

Connect the power cord to the light fixture.



### Step 3.

Fix the mounting latch on the wall or the ceiling. Turn the light fixture clockwise 180 degrees.



### Step 4.

To finish the installation, ensure the bolt sits well and firm in the latch.

