

## T8 Series LED Tubes



To conveniently replace the traditional T8 fluorescent tubes with excellent features like longer lifetime (>35,000 hrs min.), higher luminous efficacy, and lower environmental pollution, **GlacialTech** proudly launches the unique **T8 Series LED Tubes** that use efficient **8-16W** LEDs and feed on an universal AC input voltage of 100-240V. They are designed to use a standard G13 socket, and apply to commercial, local, or public area lighting.

### Features

- Indoor use only
- Direct replacement for traditional T8 fluorescent tubes
- Power factor > 0.9 at 115V AC; power factor > 0.8 at 230V AC
- High power efficiency > 80%
- High luminous efficacy LEDs
- No UV or IR radiation
- Compliance with safety standards: EN60968, EN61347-1+EN61347-2-13, EN55015+EN61547, EN60825-1, FCC Part 18
- Cool light, which can reduce the rise of the ambient temperature
- Energy saving and environment friendly

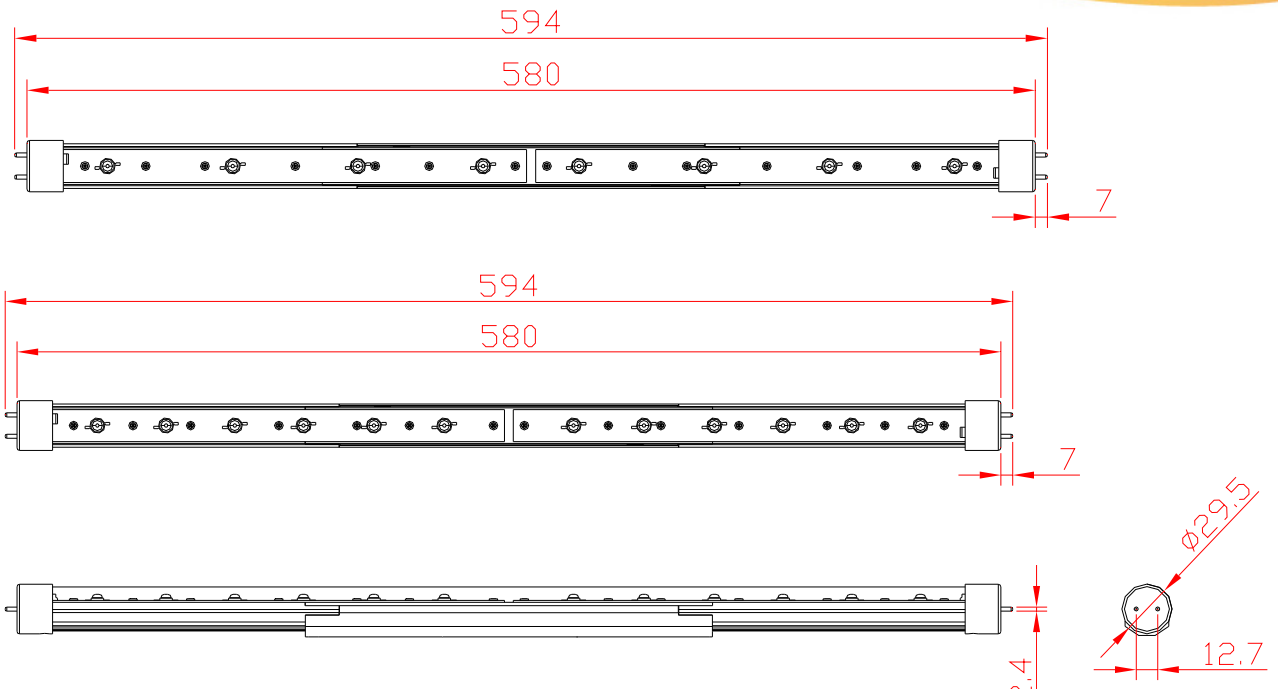


## Specifications

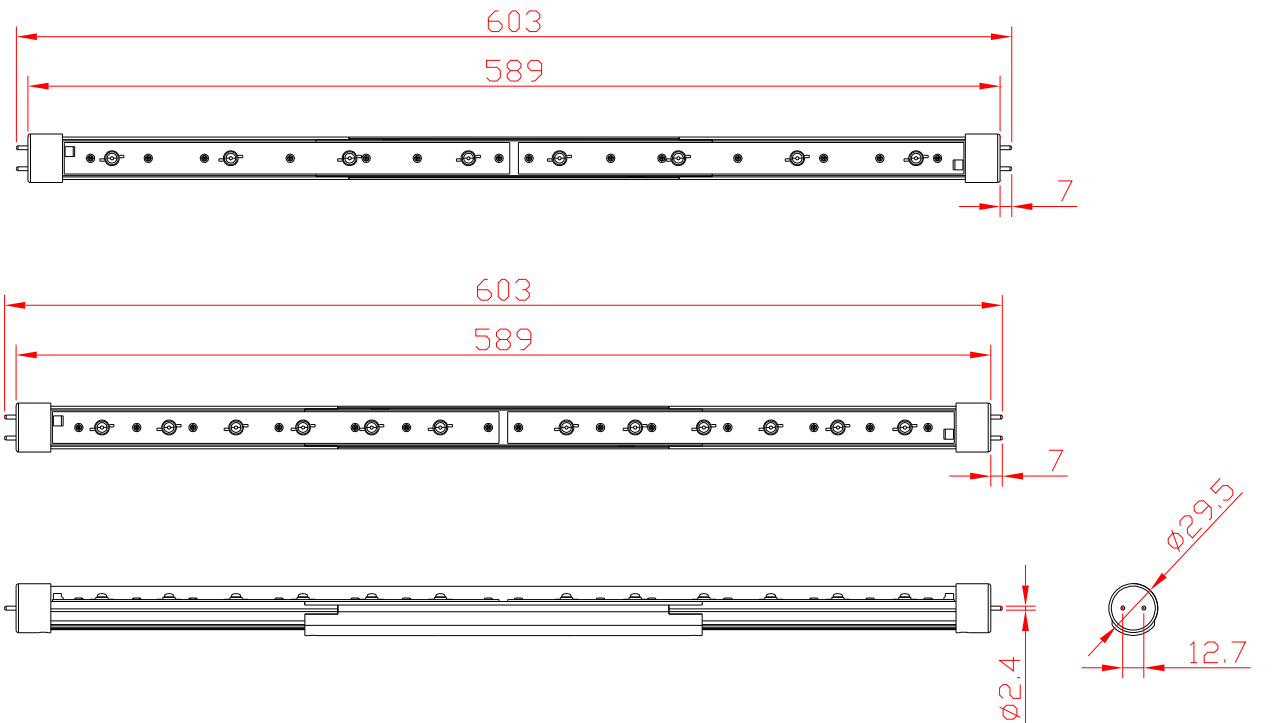
Model No.	GL-T8- 8WW	GL-T8- 8CW	GL-T8- 16WW	GL-T8- 16CW
CCT (Typical)	3000K	6000K	3000K	6000K
Typical Power Consumption	10W		20W	
Luminous Flux (lm)	594lm	836lm	1,210lm	1,650lm
Input Voltage	100-240V AC			
Socket Base	G13			
Operation Temp. Range	-20°C ~ +40°C			
Typical Luminous Efficacy	60lm/W	84lm/W	61lm/W	83lm/W
CRI	>80	> 75	>80	> 75
Beam Angle	120°			
Warranty	3 Years			
Applications	Local Lighting/ Commercial Lighting/ Public Place Lighting			
Outline Dim.	2-foot Type 1: Φ 29.5*580mm 2-foot Type 2: Φ 29.5*589mm		4-foot Type: Φ 29.5*1198mm	
Net. Weigh	410g		850g	
Package	24 Boxes / 2 Packs / Carton		12 Boxes / 2 Packs / Carton	
Box Dimension/ Weight	242*160*670mm / 11.1KG		176*130*1300mm / 10.7KG	

**Dimensions**

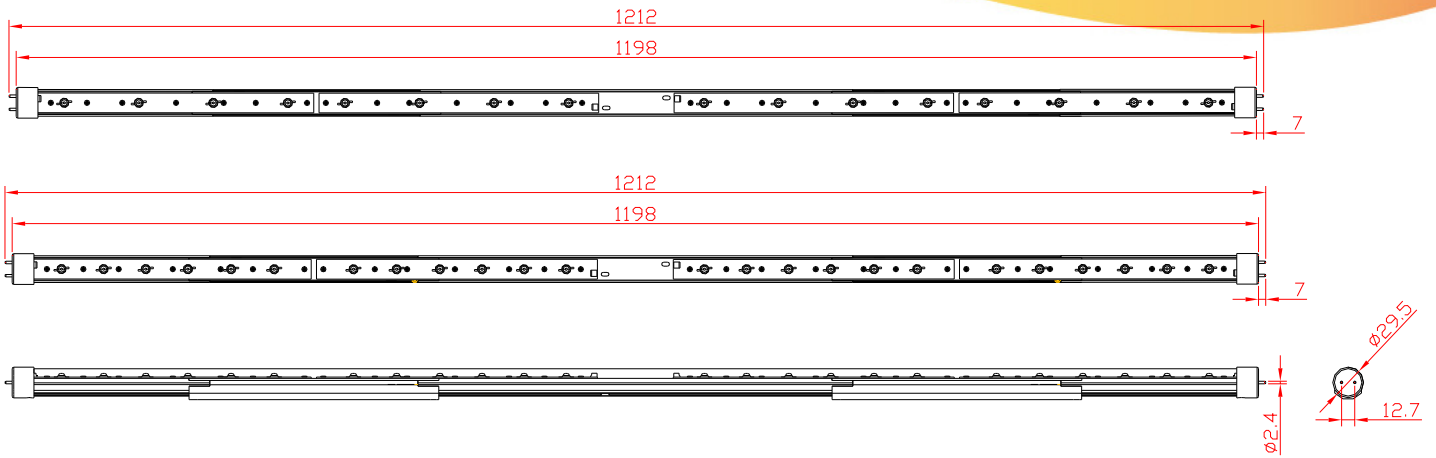
**Type 1: 2-foot (T8-8/ T8-12)**



**Type 2: 2-foot (T8-8/ T8-12)**



**4-foot (T8-16/ T8-24)**



**Energy Saving & CO<sub>2</sub> Reduction Comparison Table**

Item	GL-T8- 16CW (6000K)	T8 Tube
Life Time	35,000hrs	6,000hrs
Typical Power Consumption (=A)	20W	40W
Typical Power Consumption per year (12hrx365day/KWh)*A=B	87.6KW	175.2KW
CO <sub>2</sub> Quantity (Kgs/year) (0.637*B=D)	55Kgs	110Kgs
Energy Saving Rate (Compared with T8 tube)	<b>50%</b>	

 CO<sub>2</sub> calculation reference IPCC guide=0.637 CO<sub>2</sub>/KWh (Taiwan)