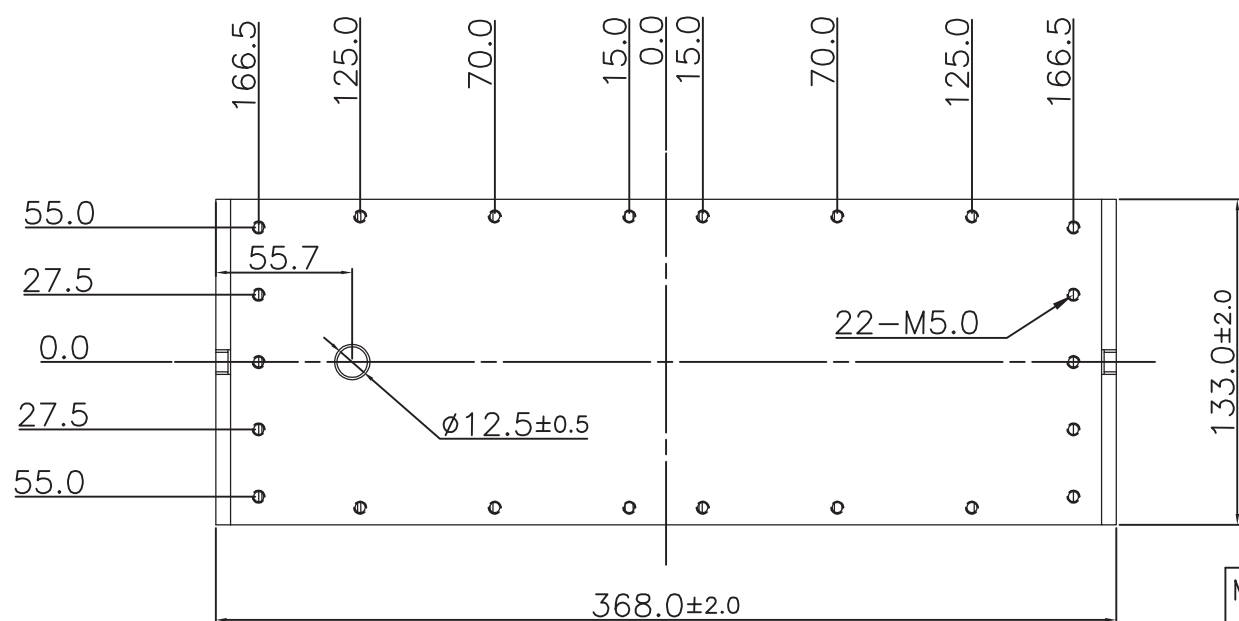
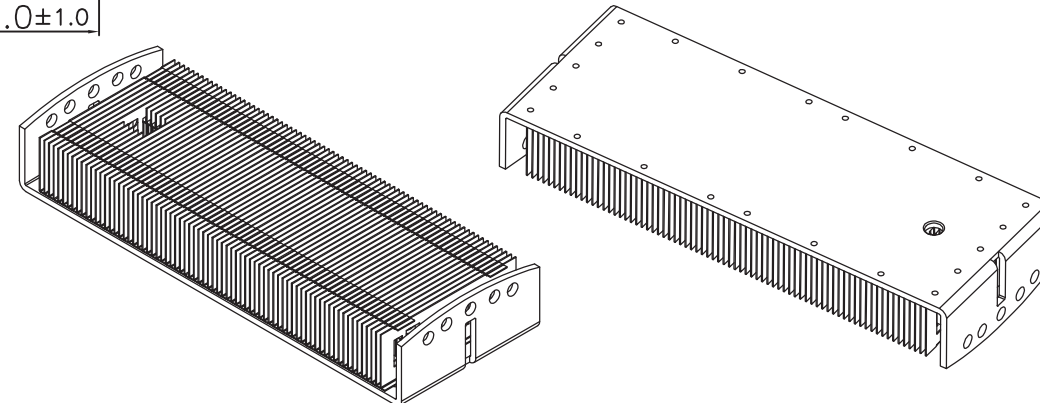
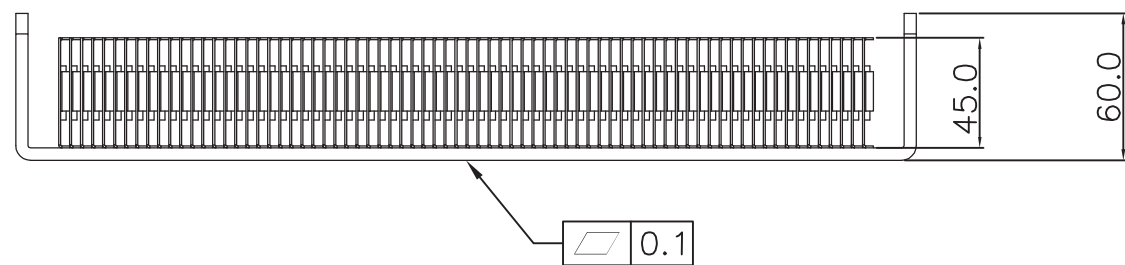
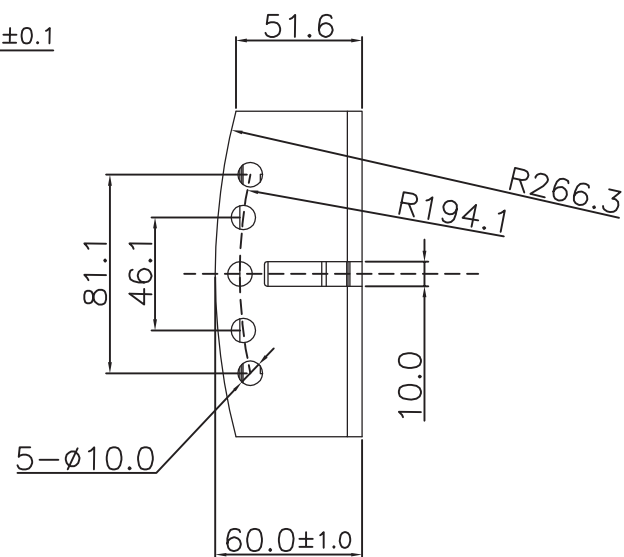
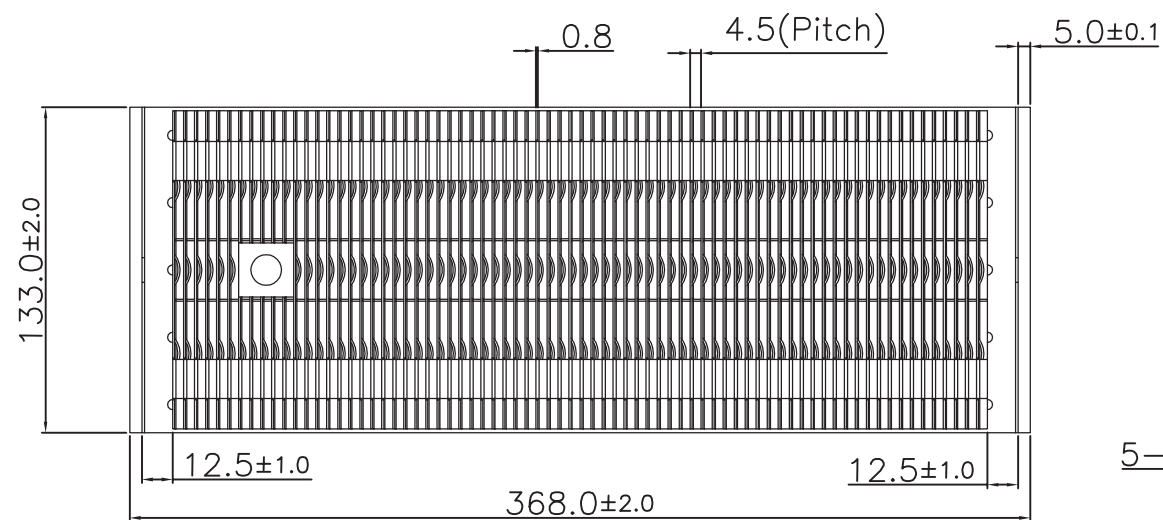


REV	DESCRIPTION	APPROVED	DATE
△A	NEW		11/13/2015



MATERIAL: AL1050			
DIM.	TOL.	Matel	Plastic
0 ~ 6		0.10	0.10
6 ~ 30		0.15	0.15
30 ~ 120		0.20	0.25
120 ~ 300		0.25	0.40
300 ~ 600		0.40	0.60
600 ~ 1200		0.70	0.80
MATERIAL		1"	

Finish Black E.D.	
PART NO.	
UNIT: mm	SCALE: 1/2
DRAWN:	11/13/2015
CHECKED:	
APPROVED:	



TITLE: *GT-IGLOO*  
SS120 Heat Sink

DWG NO. RF03-01A

SIZE: **A3** SHEET 1 OF 1