



## Features

- Low power usage 44.5 W.
- Recessed, surface mount, ceiling mount, suspension cable, and clip-on mounting options.
- Elegant look fits in any environment.
- Light and slim 10mm design.
- 3 color temperatures (3000K, 4000K, 6000K) and 2 sizes available.
- Dimming option available (1-10V DC/PWM/Resistor)
- Ideal replacement for fluorescent tube lights or louver lights.
- LED driver has a two-stage design and is IP67 and CUL certified.



## Specifications

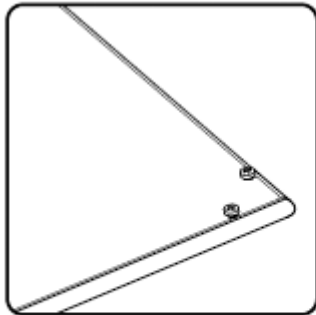
### GL-PL0312-V2 (non-dimmable)

Type	GL-PL0312-V2A-WW GL-PL0312-V2B-WW GL-PL0312-V2C-WW	GL-PL0312-V2A-NW GL-PL0312-V2B-NW GL-PL0312-V2C-NW	GL-PL0312-V2A-CW GL-PL0312-V2B-CW GL-PL0312-V2C-CW
Energy Used	44.5 W		
Rated Life	30,000 Hours		
Input Voltage	100-240V AC Driver with CUL Certificate Support 277V AC for North America only		
Power Factor (PF)	0.96 at 120V AC, 0.91 at 240V AC		
CCT (color)	3000K	4000K	6000K
Luminous Flux	3600 lm	3700 lm	3900 lm
System Efficacy	81 lm/W	83 lm/W	88 lm/W
CRI (Minimum)	80	80	80
Beam Angle	110°		
IP Rating	IP40		
Operation Temperature	-20°C ~ +40°C		
Bundled Driver	GP-HS60P-24C1 (Driver Output : Constant Current 2200mA, 16~24V)		
Package	4 PCS / Carton		

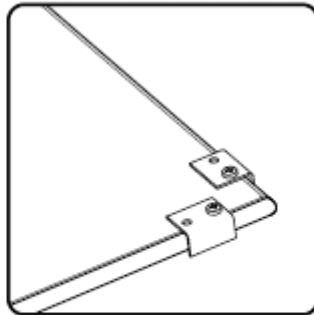
### GL-PL0312DA-V2 (DC dimmable : 1-10V/PWM/Resistor)

Type	GL-PL0312DA-V2A-WW GL-PL0312DA-V2B-WW GL-PL0312DA-V2C-WW	GL-PL0312DA-V2A-NW GL-PL0312DA-V2B-NW GL-PL0312DA-V2C-NW	GL-PL0312DA-V2A-CW GL-PL0312DA-V2B-CW GL-PL0312DA-V2C-CW
Energy Used	44.5 W		
Rated Life	30,000 Hours		
Input Voltage	100-240V AC Driver with CUL Certificate Support 277V AC for North America only		
Power Factor (PF)	0.96 at 120V AC, 0.91 at 240V AC		
CCT (color)	3000K	4000K	6000K
Luminous Flux	3600 lm	3700 lm	3900 lm
System Efficacy	81 lm/W	83 lm/W	88 lm/W
CRI (Minimum)	80	80	80
Beam Angle	110°		
IP Rating	IP40		
Operation Temperature	-20°C ~ +40°C		
Bundled Driver	GP-HS60P-24CA1 (for 1-10V/PWM/Resistor) (Driver Output : Constant Current 2200mA, 24V)		
Package	4 PCS / Carton		

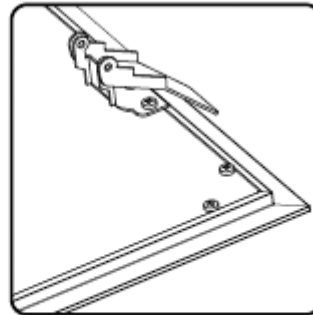
## Versatile Installation



**Type A :**  
295 x 1195 x 10 mm  
3.5 Kg (with driver)

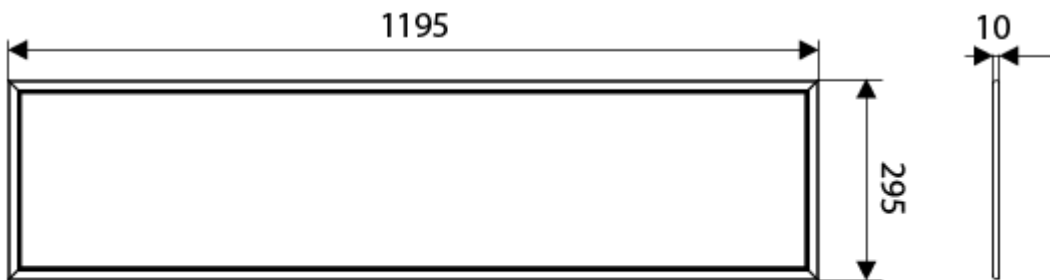


**Type B :**  
300 x 1200 x 10 mm  
3.5 Kg (with driver)



**Type C :**  
315 x 1215 x 10 mm  
3.8 Kg (with driver)

## Outline / Dimension



※ UNIT : mm

## 5 methods of installation



Recessed



Clip-on



Suspension



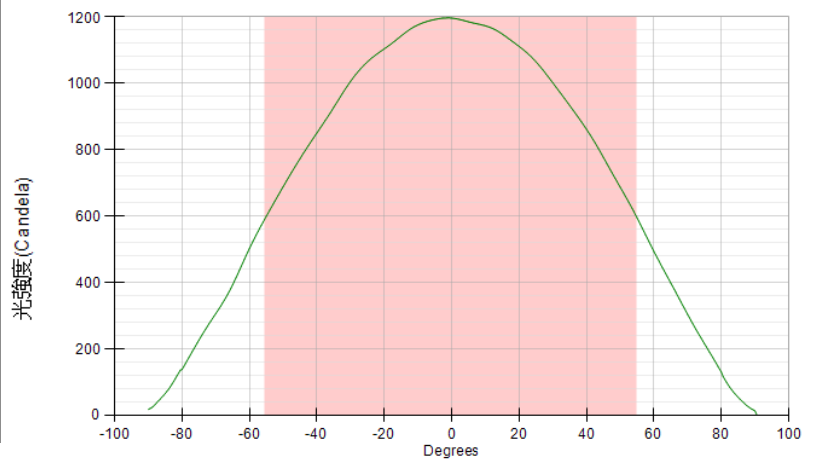
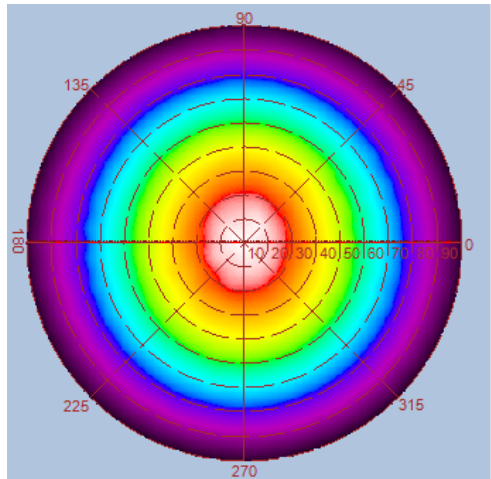
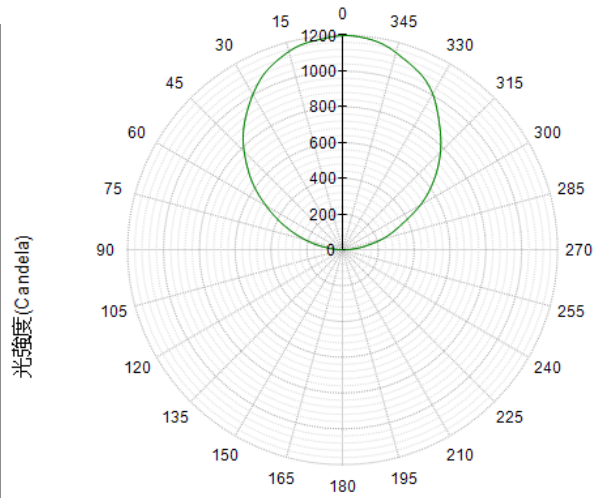
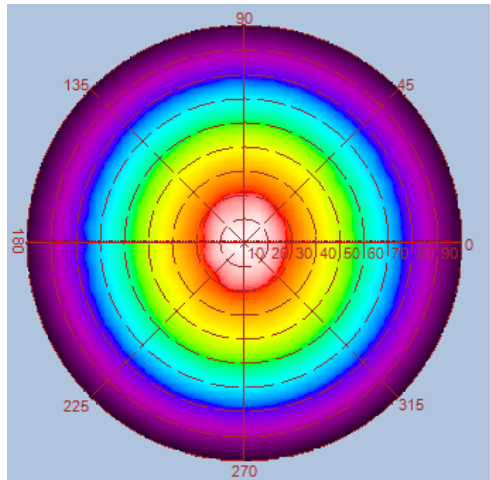
Ceiling Mount



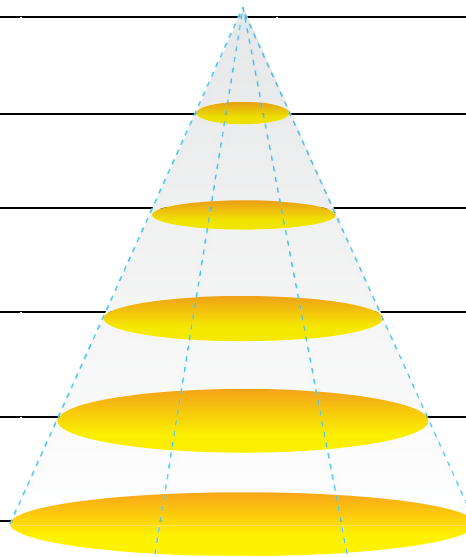
Surface Mount

## Luminous Intensity Distribution Diagram

GL-PL0312-V2-WW / CCT : 3000K

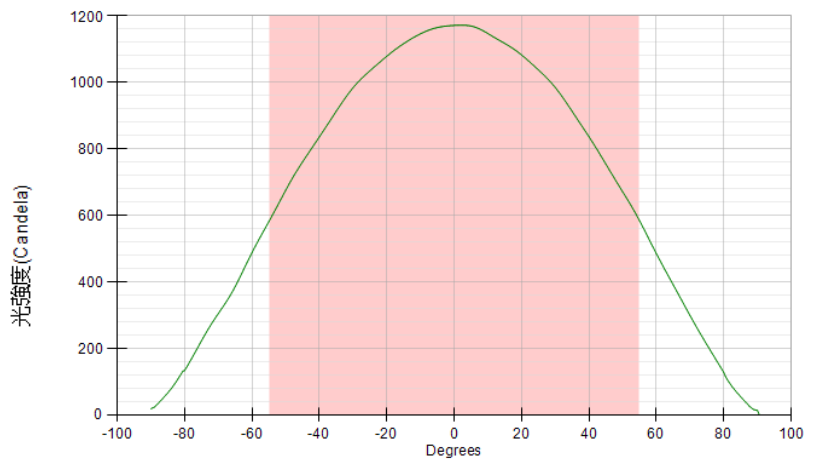
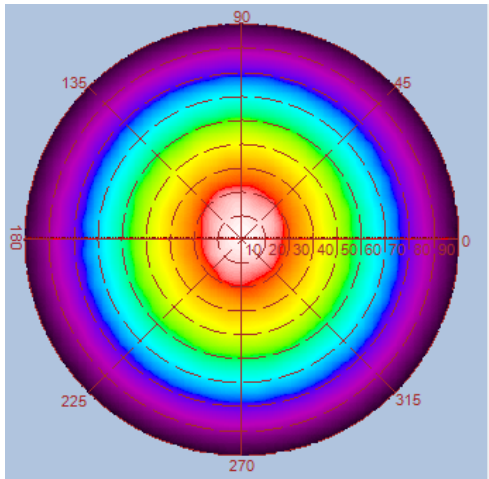
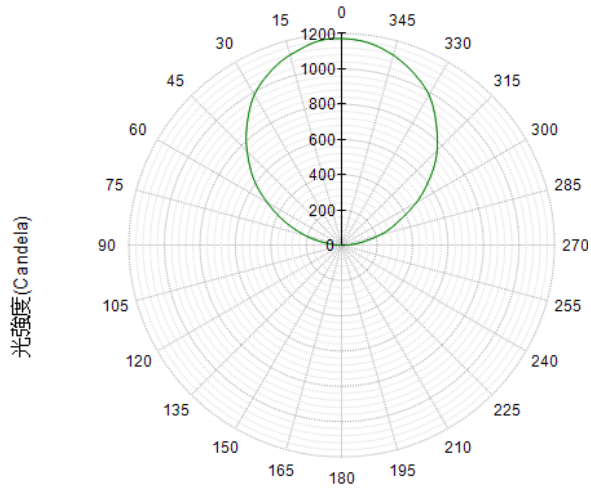
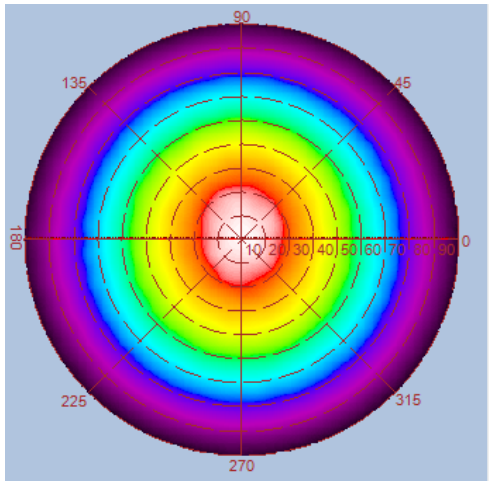


Height	E Avg.	E Max.	Diameter
1.0M	604 Lx	1093 Lx	288 cm
2.0M	147 Lx	299 Lx	576 cm
3.0M	64 Lx	133 Lx	864 cm
4.0M	36 Lx	75 Lx	1153 cm
5.0M	23 Lx	47 Lx	1441 cm

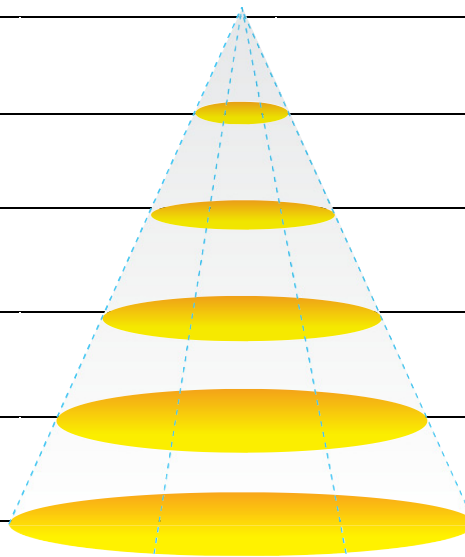


## Luminous Intensity Distribution Diagram

GL-PL0312-V2-NW / CCT : 4000K

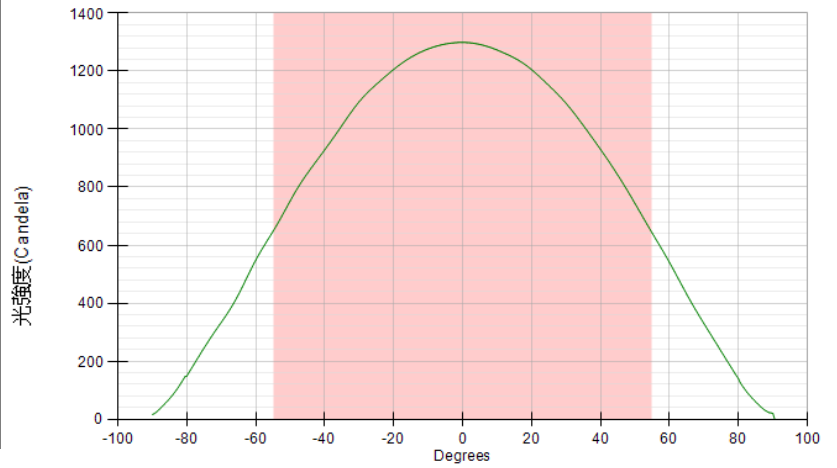
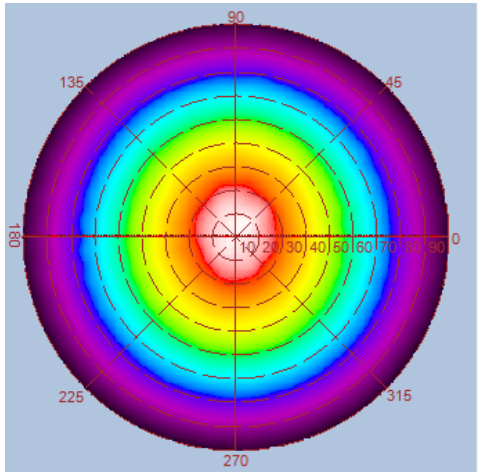
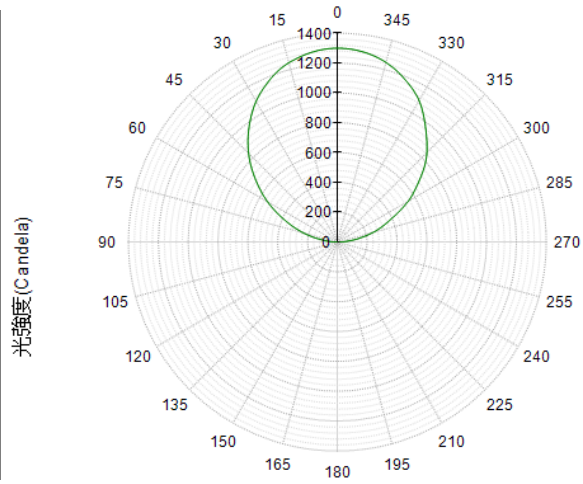
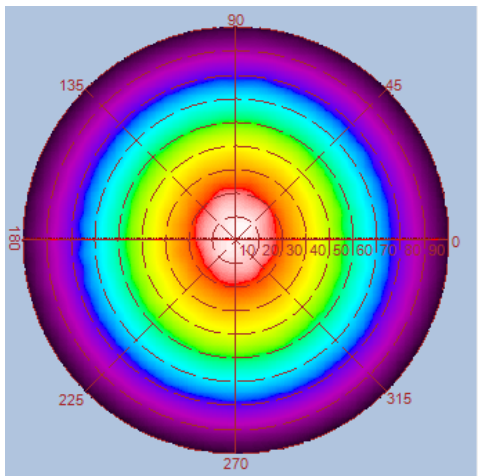


Height	E Avg.	E Max.	Diameter
1.0M	596 Lx	1061 Lx	285 cm
2.0M	144 Lx	290 Lx	571 cm
3.0M	63 Lx	130 Lx	856 cm
4.0M	35 Lx	73 Lx	1142 cm
5.0M	23 Lx	47 Lx	1428 cm



## Luminous Intensity Distribution Diagram

GL-PL0312-V2-CW / CCT :6000K



Height	E Avg.	E Max.	Diameter
1.0M	662 Lx	1185 Lx	285 cm
2.0M	161 Lx	322 Lx	571 cm
3.0M	71 Lx	144 Lx	856 cm
4.0M	39 Lx	81 Lx	1142 cm
5.0M	25 Lx	51 Lx	1428 cm

