

Pollux Series

GL-PL0303-V2 Series

GL-PL0303D-V2 Series *Dimming function*



Features

- Low power usage 14.8 W.
- Recessed, surface mount, ceiling mount, suspension cable, and clip-on mounting options.
- Elegant look fits in any environment.
- Light and slim 10mm design.
- 3 color temperatures (3000K, 4000K, 6000K) and 2 sizes available.
- Dimming option available (0-10V DC/PWM/Resistor)
- Ideal replacement for fluorescent tube lights or louver lights.
- LED driver has a two-stage design and is IP67 and cUL certified.



Specifications

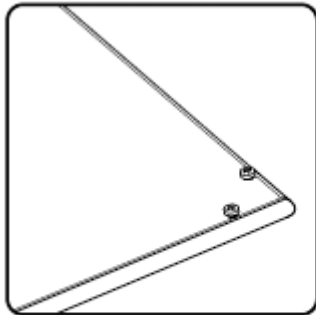
GL-PL0303-V2 (non-dimmable)

Type	GL-PL0303-V2A-WW GL-PL0303-V2B-WW GL-PL0303-V2C-WW	GL-PL0303-V2A-NW GL-PL0303-V2B-NW GL-PL0303-V2C-NW	GL-PL0303-V2A-CW GL-PL0303-V2B-CW GL-PL0303-V2C-CW
Energy Used	14.8 W		
Rated Life	30,000 Hours		
Input Voltage	100-240V AC (Driver with cUL Certificate)		
Power Factor (PF)	0.88 at 120V AC, 0.8 at 240V AC		
CCT (color)	3000K	4000K	6000K
Luminous Flux	1100 lm	1150 lm	1260 lm
System Efficacy	74 lm/W	78 lm/W	85 lm/W
CRI (Minimum)	80	80	80
Beam Angle	110°		
IP Rating	IP40		
Operation Temperature	-20°C ~ +40°C		
Bundled Driver	GP-HS15P-22C1 (Driver Output : Constant Current 700mA, 24V)		
Package	10 PCS / Carton		

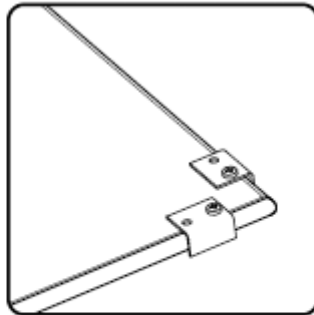
GL-PL0303DA-V2 (DC dimmable : 0-10V/PWM/Resistor)

Type	GL-PL0303DA-V2A-WW GL-PL0303DA-V2B-WW GL-PL0303DA-V2C-WW	GL-PL0303DA-V2A-NW GL-PL0303DA-V2B-NW GL-PL0303DA-V2C-NW	GL-PL0303DA-V2A-CW GL-PL0303DA-V2B-CW GL-PL0303DA-V2C-CW
Energy Used	14.8 W		
Rated Life	30,000 Hours		
Input Voltage	100-240V AC		
Power Factor (PF)	0.88 at 120V AC, 0.8 at 240V AC		
CCT (color)	3000K	4000K	6000K
Luminous Flux	1100 lm	1150 lm	1260 lm
System Efficacy	74 lm/W	78 lm/W	85 lm/W
CRI (Minimum)	80	80	80
Beam Angle	110°		
IP Rating	IP40		
Operation Temperature	-20°C ~ +40°C		
Bundled Driver	GP-HS15P-24CA (for 0-10V/PWM/Resistor) (Driver Output : Constant Current 700mA, 24V)		
Package	10 PCS / Carton		

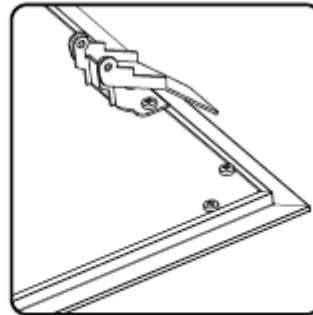
Versatile Installation



Type A :
295 x 295 x 10 mm
970 g (with driver)

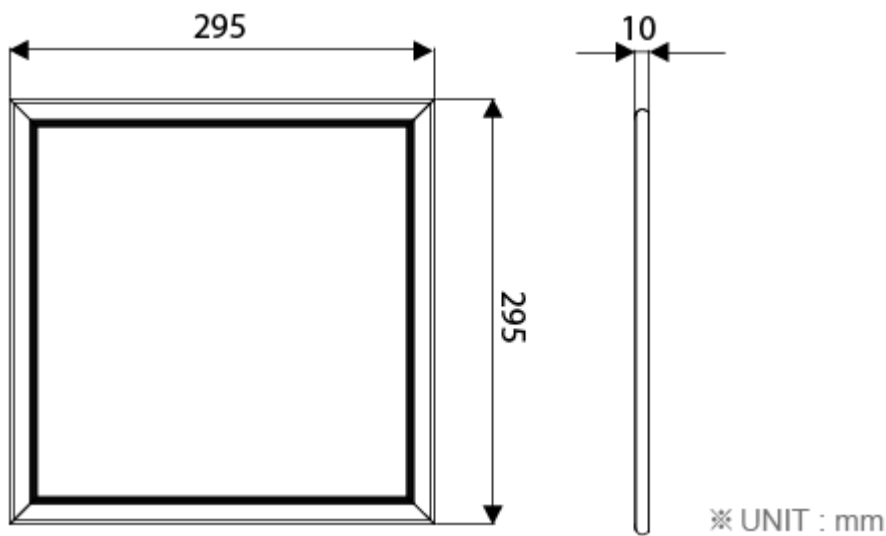


Type B :
300 x 300 x 10 mm
970 g (with driver)



Type C :
315 x 315 x 10 mm
1.2 Kg (with driver)

Outline / Dimension



5 methods of installation



Recessed



Clip-on



Suspension



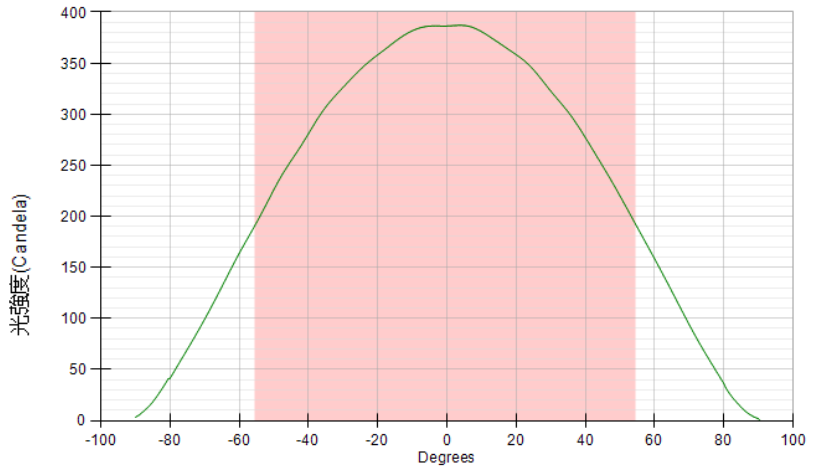
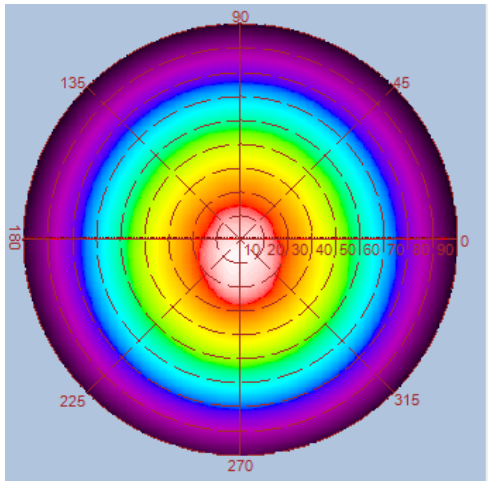
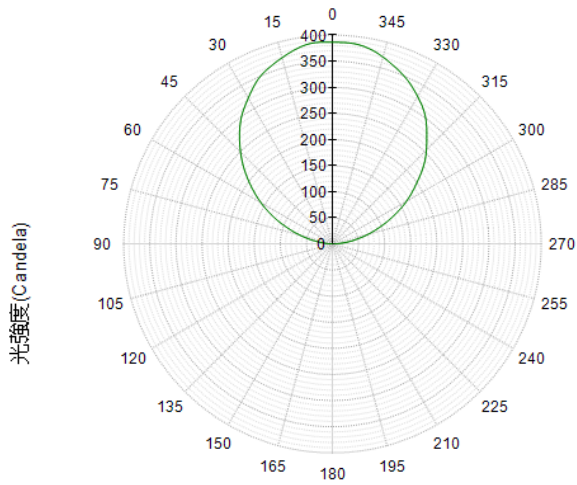
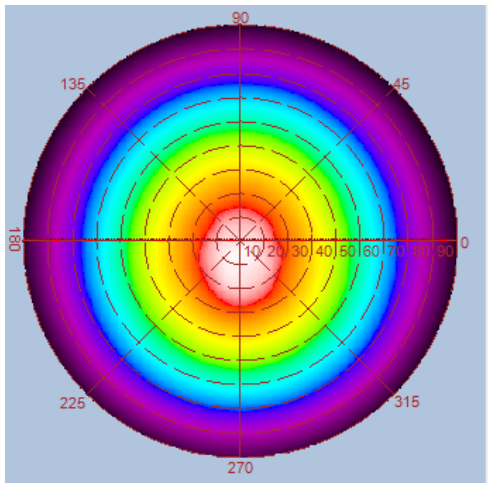
Ceiling Mount



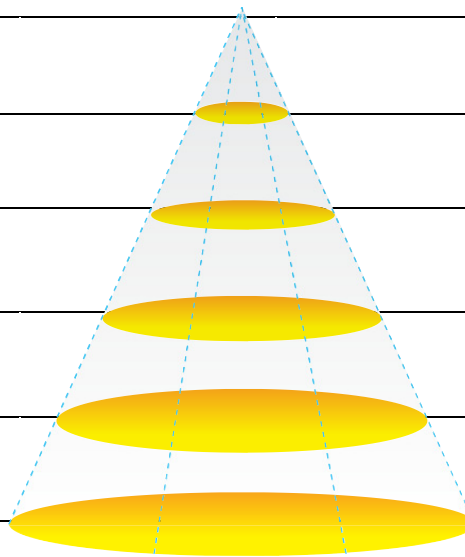
Surface Mount

Luminous Intensity Distribution Diagram

GL-PL0303-V2-WW / CCT : 3000K

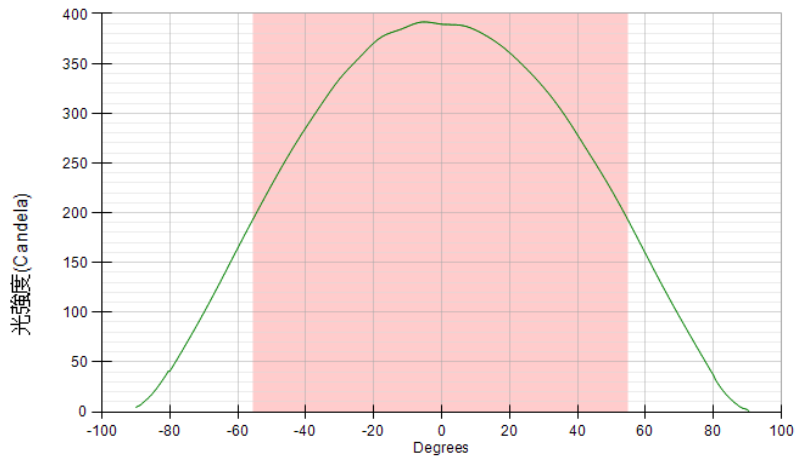
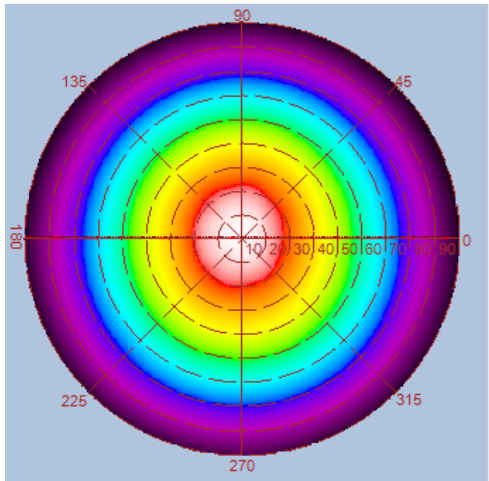
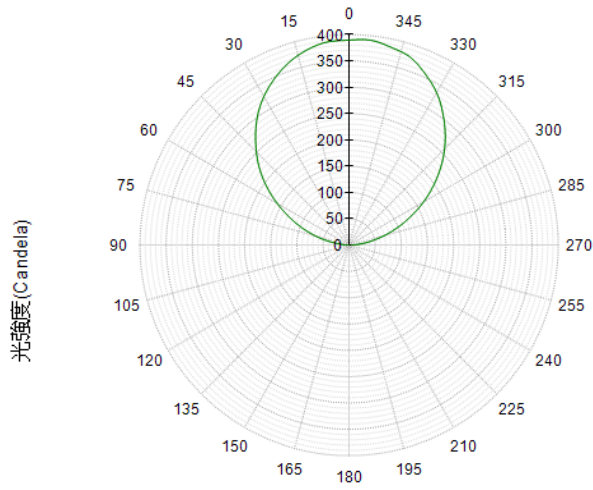
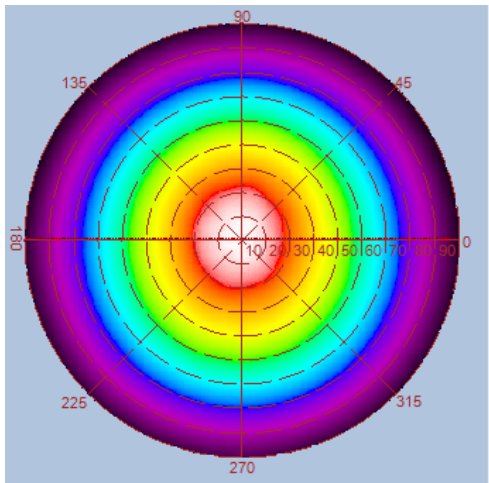


Height	E Avg.	E Max.	Diameter
1.0M	199 Lx	430 Lx	285 cm
2.0M	48 Lx	101 Lx	571 cm
3.0M	21 Lx	44 Lx	856 cm
4.0M	12 Lx	24 Lx	1142 cm
5.0M	7 Lx	16 Lx	1428 cm

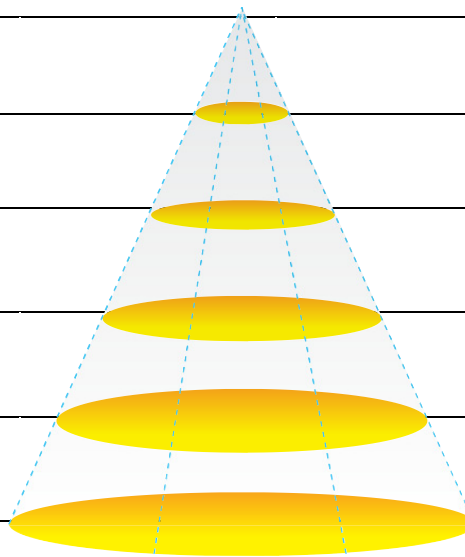


Luminous Intensity Distribution Diagram

GL-PL0303-V2-NW / CCT : 4000K

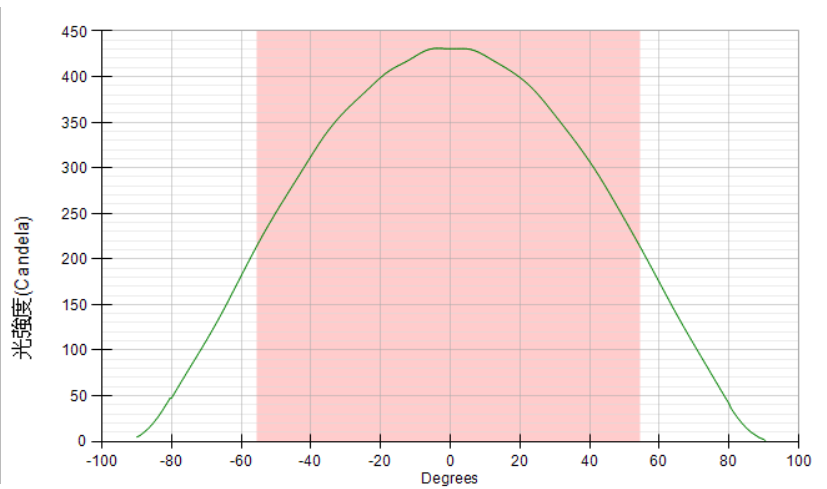
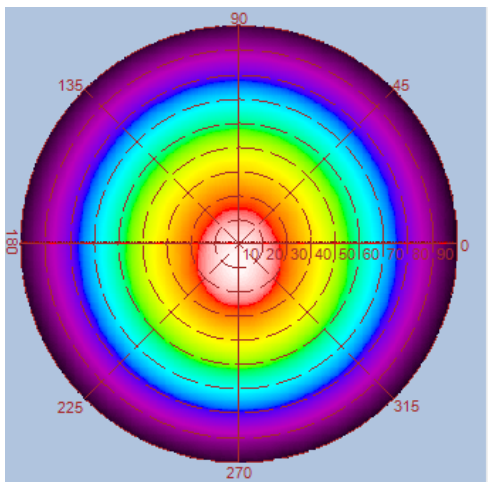
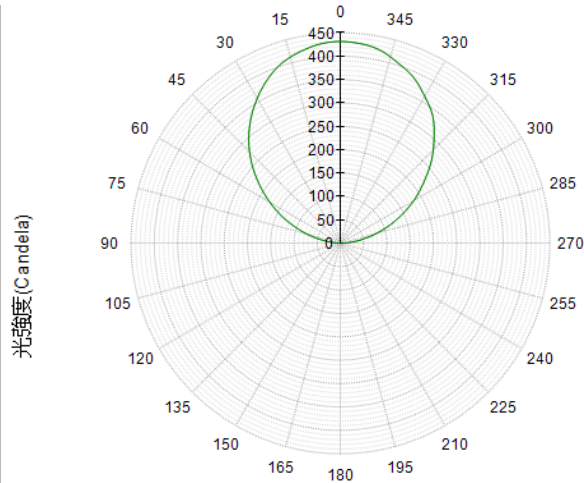
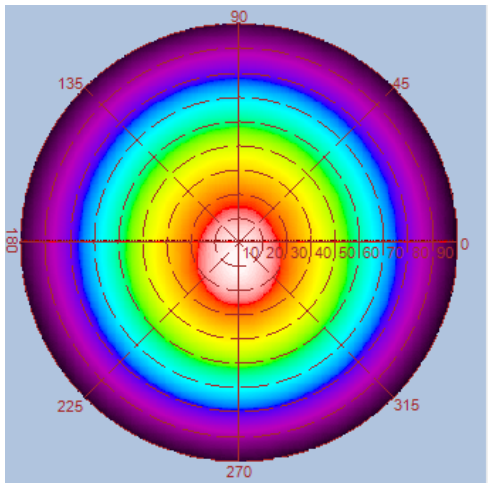


Height	E Avg.	E Max.	Diameter
1.0M	200 Lx	430 Lx	288 cm
2.0M	48 Lx	102 Lx	576 cm
3.0M	21 Lx	44 Lx	864 cm
4.0M	12 Lx	25 Lx	1153 cm
5.0M	8 Lx	16 Lx	1441 cm



Luminous Intensity Distribution Diagram

GL-PL0303-V2-CW / CCT :6000K



Height	E Avg.	E Max.	Diameter
1.0M	223 Lx	475 Lx	282 cm
2.0M	54 Lx	113 Lx	565 cm
3.0M	24 Lx	49 Lx	848 cm
4.0M	13 Lx	27 Lx	1131 cm
5.0M	8 Lx	17 Lx	1414 cm

