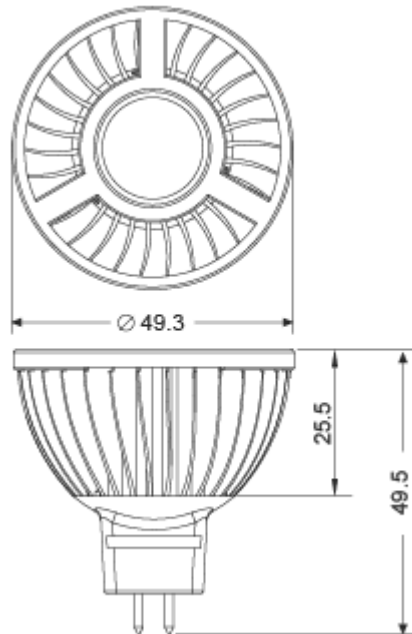


Mizar Series **GL-MR16-3W**



To conveniently replace the traditional MR16 halogen lamps with excellent features, like longer lifetime (>20,000 hrs min.), higher luminous efficacy, and lower environmental pollution, **GlacialTech** proudly launches the unique **MR16 3W Series LED Bulbs** that use efficient **3W** LEDs, feed on an AC/DC input voltage of 12V, fit standard GU5.3 sockets, and apply to ornamental decoration, window-display lighting, or spotlighting.

Features

- For indoor use only
- Direct replacement for traditional MR16 20W halogen bulbs
- Compatible with electronic transformers
- High power efficiency > 80%
- High luminous efficacy LEDs
- No UV or IR radiation
- Compliance with safety standards: EN60968, EN61347-1 + EN61347-2-13, EN55015, EN60825-1, FCC Part 18
- Cool light, which can reduce the rise of the ambient temperature
- Energy saving and environment friendly

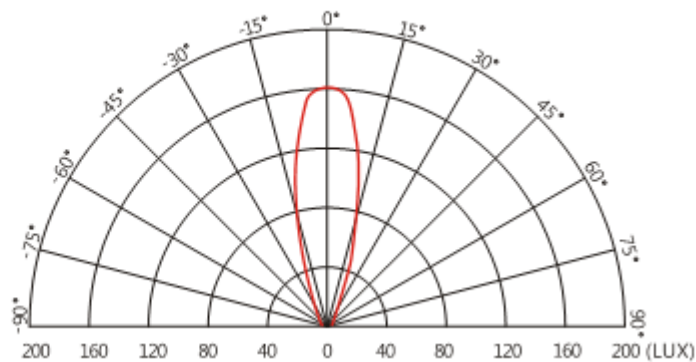
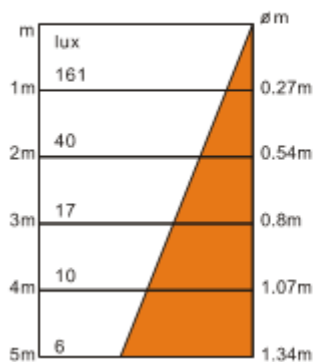


◆ **Specifications**

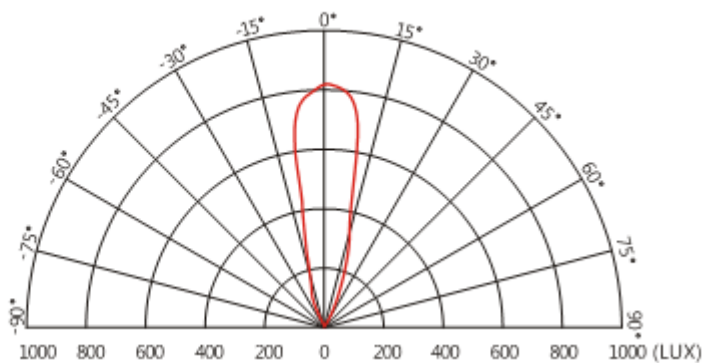
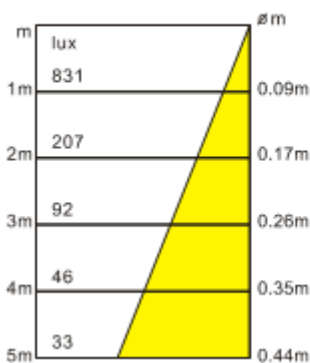
Model No.	GL-MR16-3WW	GL-MR16-3CW
CCT (Typical)	3000K	6000K
Typical Power Consumption	3W	
Luminous Flux (lm)	70lm	100lm
Input Voltage	12V AC-DC	
Socket Base	GU5.3	
Operation Temperature	-20 °C — +40 °C	
Typical Luminous Efficacy	31lm/W	37lm/W
CRI	> 80	> 75
Beam Angle	15° / 30°	
Warranty	2 Years	
Applications	Shop Window Lighting/ Cabinet Lighting/ Commercial Lighting/ Meeting room/ Indoor ornament / Spot Lighting/ Hallway Lighting	
Outline Dim.	Φ 49.3*49.5mm	
Net. Weight	47g	
Package	100 Boxes/ 10 Packs/ Carton	
Box Dimension/ Weight	L= 52*52*58mm / 65g	

◆ **3W Candle Power Distribution Curve (1M)**

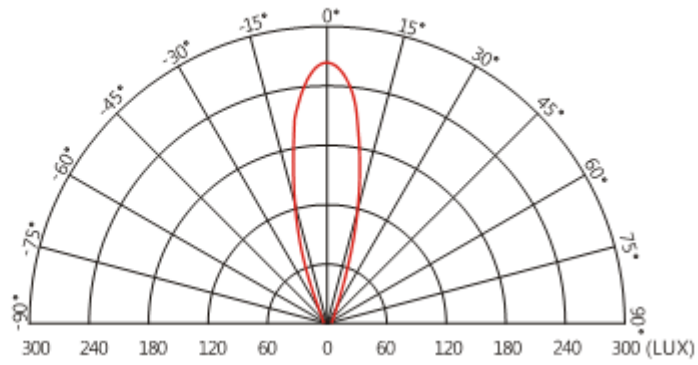
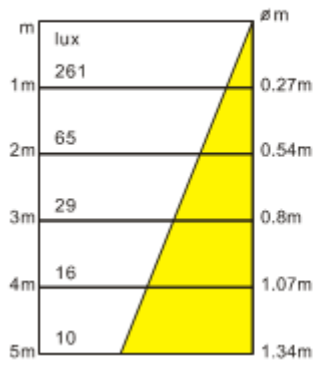
MR-16-3W(WW) 30°



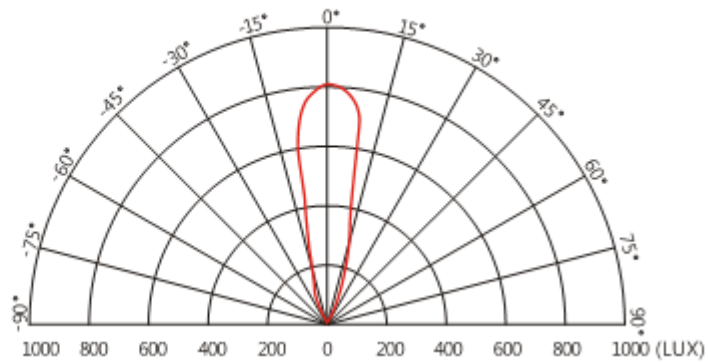
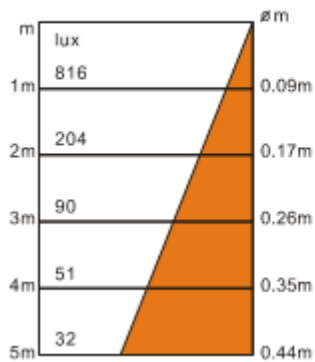
MR-16-3W(CW) 15°



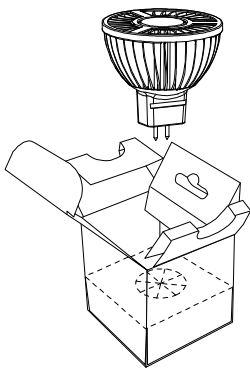
MR-16-3W(CW) 30°



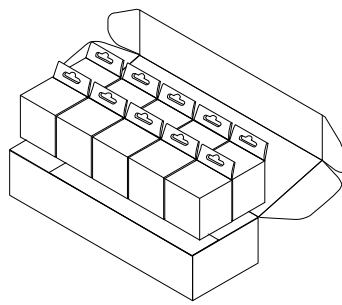
MR-16-3W(WW) 15°



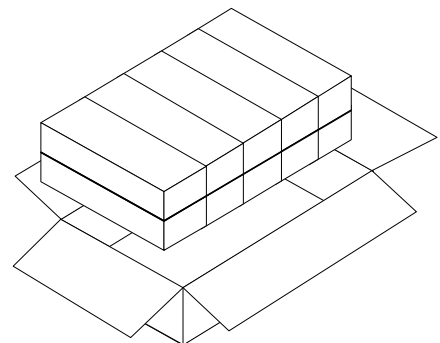
◆ **Package**



Dimensions: 52*52*58 (H) mm



10 Pcs / Box
Dimensions: 271*110*66 (H) mm



100 Pcs / Carton
Dimensions: 552*280*143 (H) mm

◆ Energy Saving & CO₂ Reduction Comparison Table

Item	GL-MR16-3CW (6000K)	Halogen Bulbs
Life Time	20,000hrs	3,000hrs
Typical Power Consumption (=A)	3W	20W
Typical Power Consumption per year (12hrx365day/KWh)*A=B	13.14KW	88KW
CO ₂ Quantity (Kgs/year) (0.637*B=D)	10Kgs	56Kgs
Energy Saving Rate (Compared with Halogen Bulbs)	82%	

 CO₂ calculation reference IPCC guide=0.637 CO₂/KWh (Taiwan)

◆ Applications

