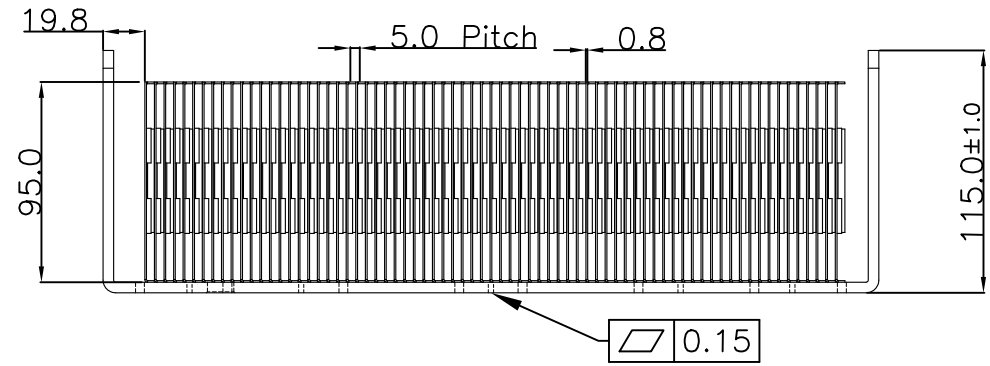
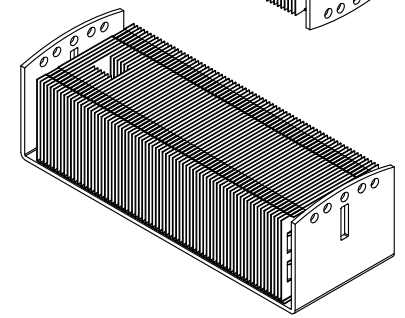
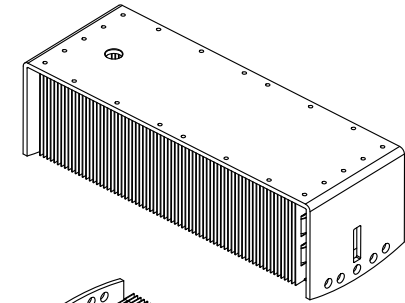
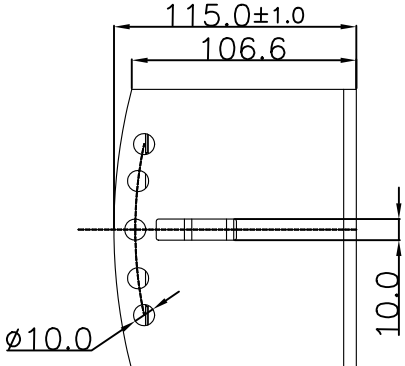
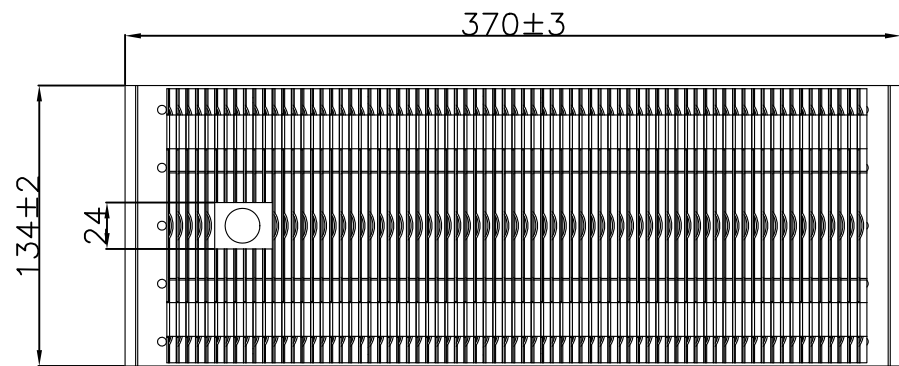
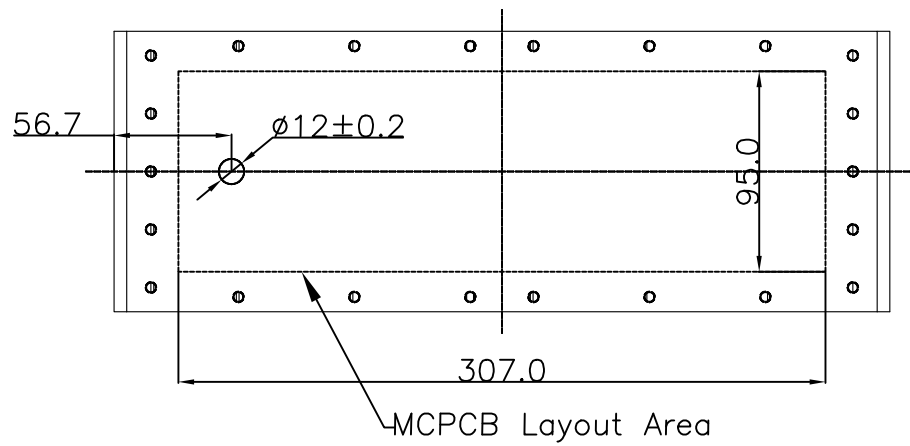



REV	DESCRIPTION	APPROVED	DATE
A	cable hole is changed from $\phi 16$ to $\phi 12$ mm	Justin	Agm. 3rd 2018



NOTE:
 1. The number of fins 66pcs
 2. Surface treatment : Electrophoresis process with black color
 (黑色電泳)



MATERIAL: AL1100				Finish Electrophoresis			
				PART NO. CT-SS120P00AB0002			
DIM.	TOL.	Matel	Plastic	USER	UNIT: mm	SCALE: 1/1	TITLE: GL-PROJECT
0 ~ 6		0.10	0.10				SS120 Plus Heatsink
6 ~ 30		0.15	0.15				
30 ~ 120		0.20	0.25				
120 ~ 300		0.25	0.40				
300 ~ 600		0.40	0.60				
600 ~ 1200		0.70	0.80				
MATERIAL				1'			DWG NO. RF03-18 C
					CHECKED:		SIZE: A3
					APPROVED:		SHEET 1 OF 1