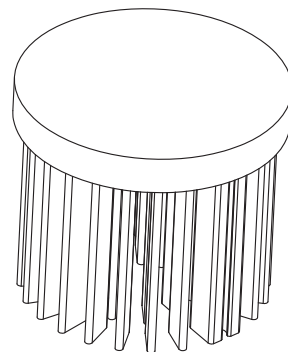
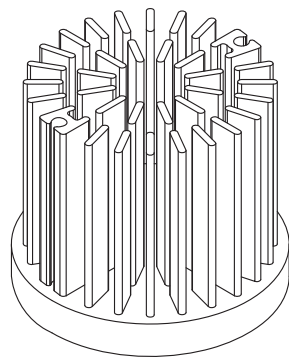
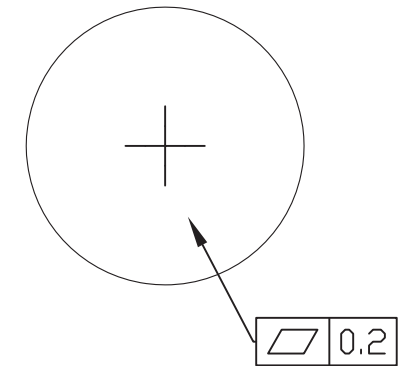
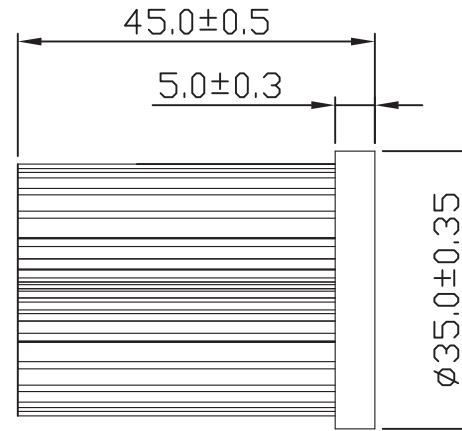
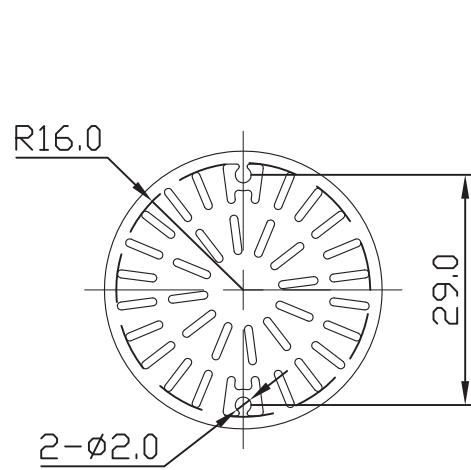


REVISION			
MARK	DESCRIPTION	DATE	APPROVED
△	First release	2018/04/11	Justin
△			



**Note:**

1. part no.:

1) black anodizing: CT-F035A000AB0001

2) Silver anodizing: CT-F035A000LB0001

		MTL SPEC.	AL1070	UNSPECIFIED TOL'S X.XX ±0.10 XX.XX ±0.20 XXX.XX ±0.25 ANGULAR ±1.00°	MODEL NO.	FR035A
APPROVED BY		UNIT	mm	DRAWING NAME FR035A (D35xH45xh5mm)		
CHECKED BY				DRAWING NO.		
DESIGN BY		SCALE	1:1	REV		
DRAWN BY		SIZE	A4	RD04-I3		SHEET A 1/1
			DATE	2018/04/11		