



Features

- The GL-WL1012P, GL-WL1012P-SH and GL-WL1012P-SL for outdoor applications.
- Standard and PIR sensor versions.
- 11.5 to 12.5W energy consumption.
- LED driver with PFC function.
- Wall mounting and ceiling fixing options.
- Minimalistic, single-unit design.
- Adjustable 180 degree mounting latch for easy installation.
- Premium aluminum compression-molded surface.
- High temperature resistant.
- Polycarbonate casing protects from UV radiation.
- Colored filter visual effect for atmospheric effect.
- IP54 and IP65 certified.
- Very low power consumption.
- No UV or IR radiation.

Specifications

Standard

Type	GL-WL1012P-WW	GL-WL1012PNW	GL-WL1012P-CW
Energy Used	11.5 W		
Rated Life	30,000 Hours		
Input Voltage	100-240V AC		
Power Factor (PF)	0.88 at 120V AC, 0.80 at 240V AC		
CCT (color)	3000K	4000K	5700K
Luminous Flux	580 lm	630 lm	630 lm
System Efficacy	50 lm/W	55 lm/W	55 lm/W
CRI (Minimum)	80	80	80
Beam Angle	105°		
Dimension	Φ 252 x 96 mm		
IP Rating	IP65		
Operation Temperature	-20°C ~ +40°C		
Net Weight	1.2Kg		
Package	6 Boxes /Carton		



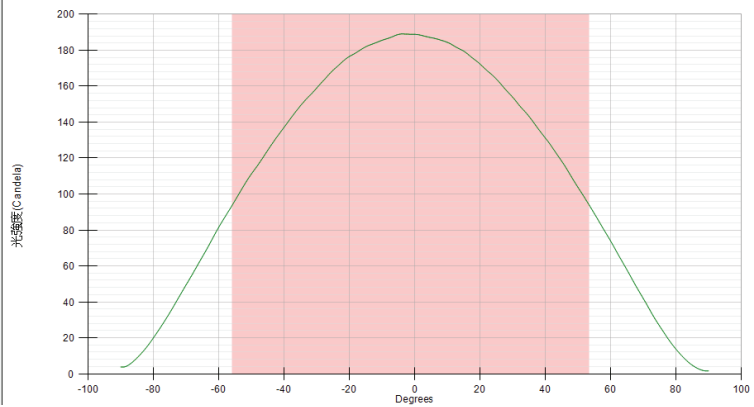
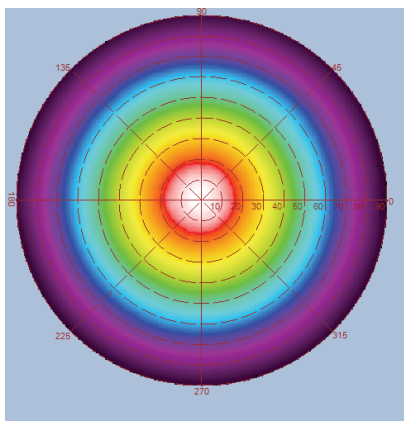
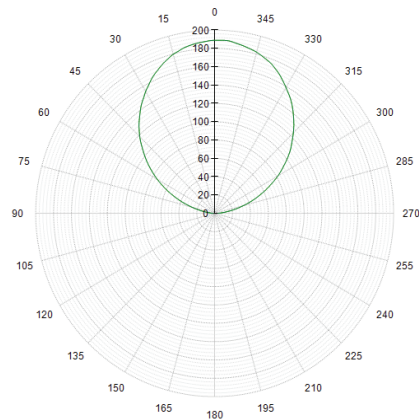
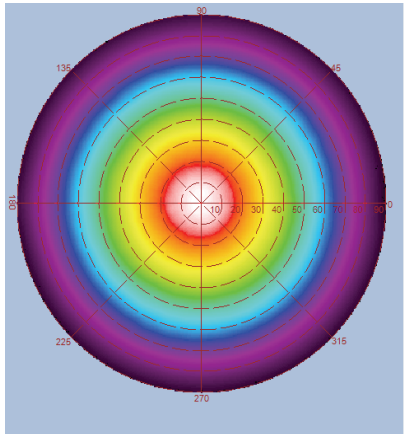
With PIR Sensor

Type	GL-WL1012P-SL-WW GL-WL1012P-SH-WW	GL-WL1012P-SL-NW GL-WL1012P-SH-NW	GL-WL1012P-SL-CW GL-WL1012P-SH-CW
Energy Used	12.5W		
Rated Life	30,000 Hours		
Input Voltage	100-120V AC (GL-WL1012P-SL) 200-240V AC (GL-WL1012P-SH)		
CCT (color)	3000K	4000K	5700K
Luminous Flux	580 lm	630 lm	630 lm
System Efficacy	46 lm/W	50 lm/W	50 lm/W
CRI (Minimum)	80	80	80
Beam Angle	105°		
Dimension	Φ 252 x 105 mm		
IP Rating	IP54		
Operation Temperature	-20°C ~ +40°C		
Net Weight	1.25 Kg		
Package	6 Boxes /Carton		

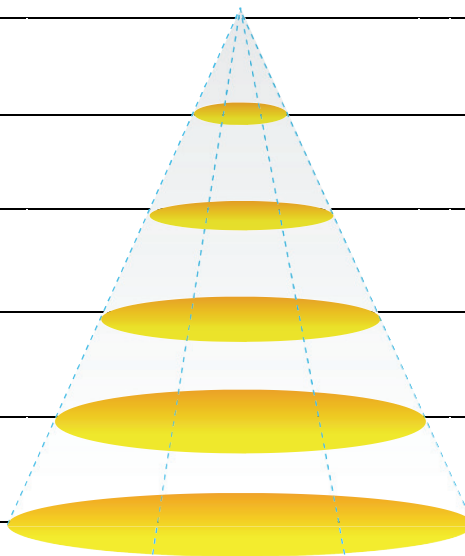


Luminous Intensity Distribution Diagram

GL-WL1012P-WW-150D/ CCT: 3000K

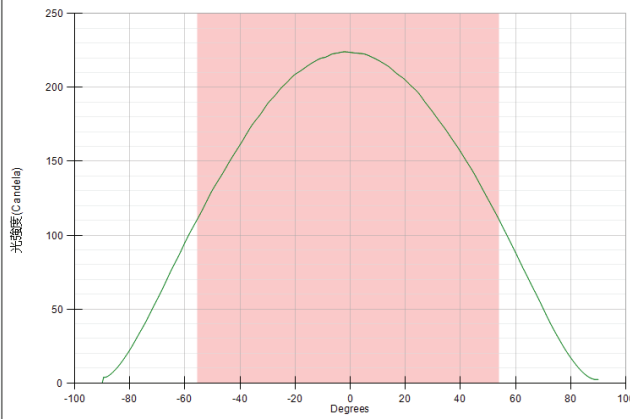
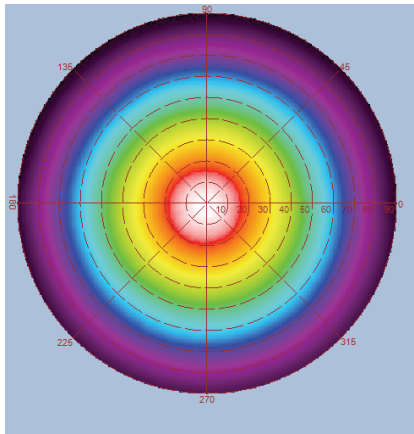
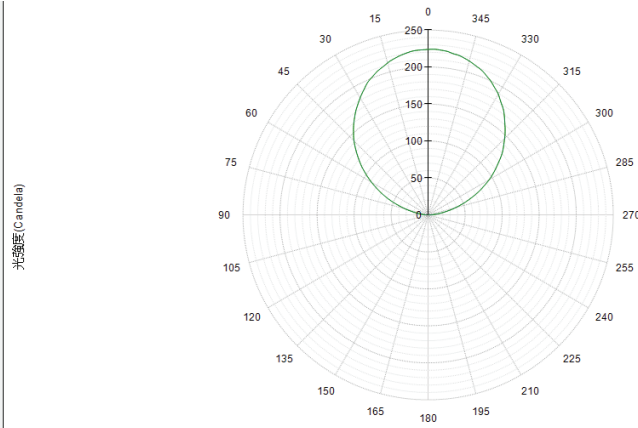
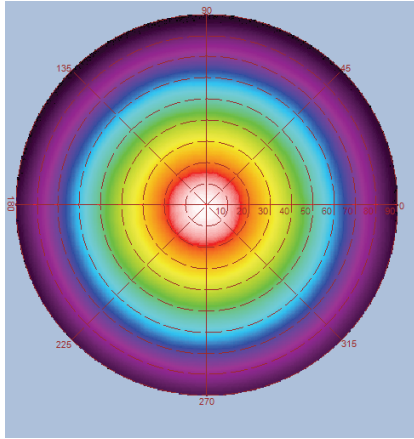


Height	E Max.	Diameter
1.0M	187 Lx	282 cm
2.0M	46.4 Lx	565 cm
3.0M	20.61 Lx	848 cm
4.0M	11.59 Lx	1131 cm
5.0M	7.35 Lx	1414 cm

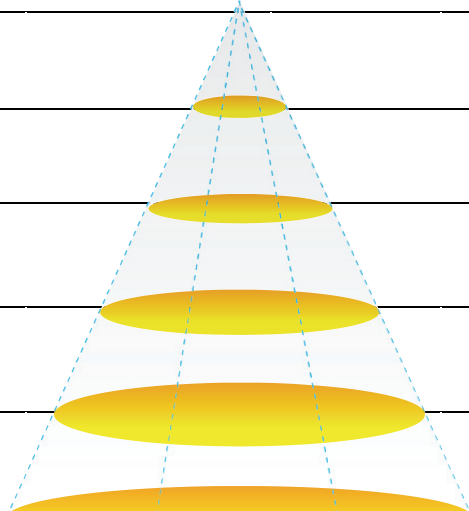


Luminous Intensity Distribution Diagram

GL-WL1012P-CW-150D/ CCT: 6000K



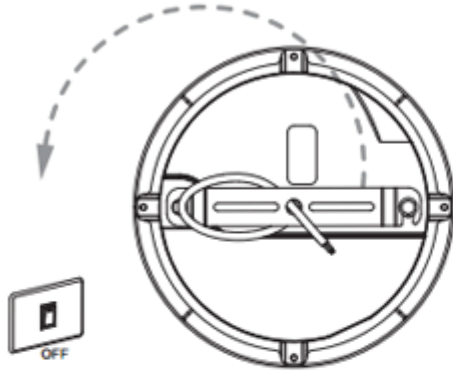
Height	E Max.	Diameter
1.0M	221.4 Lx	282 cm
2.0M	55 Lx	565 cm
3.0M	24.39 Lx	848 cm
4.0M	13.7 Lx	1131 cm
5.0M	8.76 Lx	1414 cm



Applications

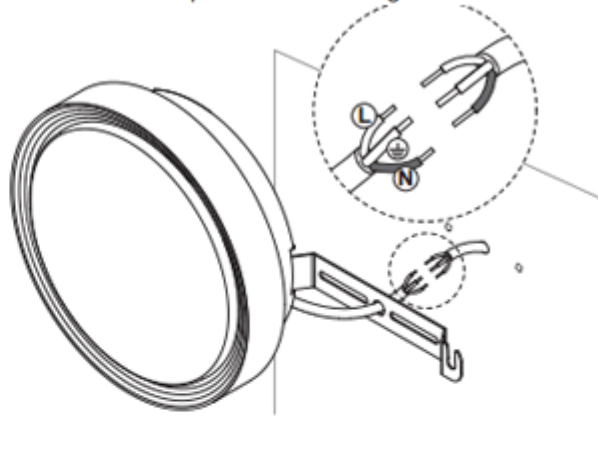
1

Turn the mounting latch anticlockwise 180 degrees.



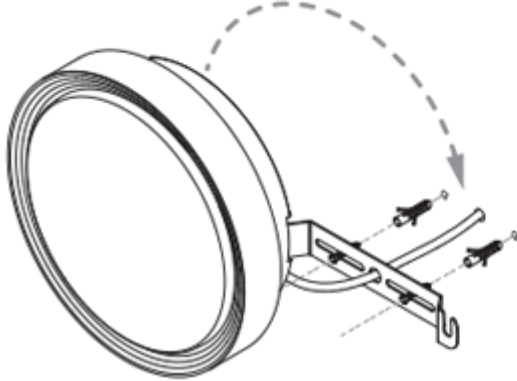
2

Connect the power cord to the light fixture.



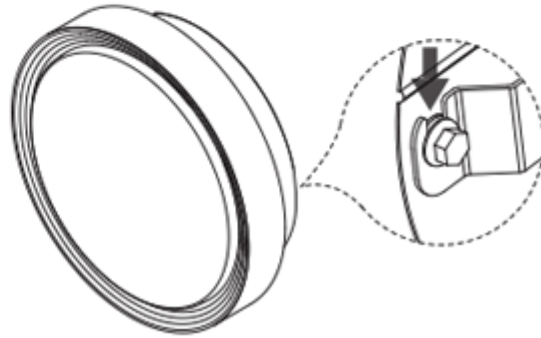
3

Fix the mounting latch on the wall or the ceiling. Turn the light fixture clockwise 180 degrees.

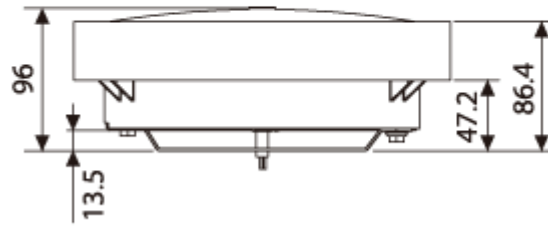
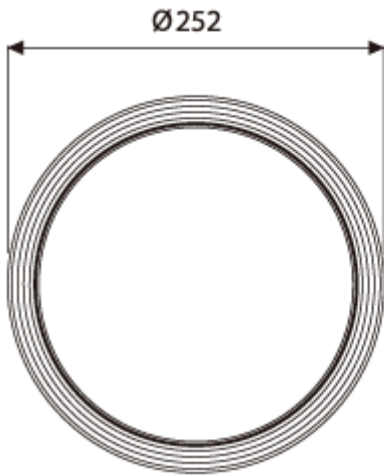


4

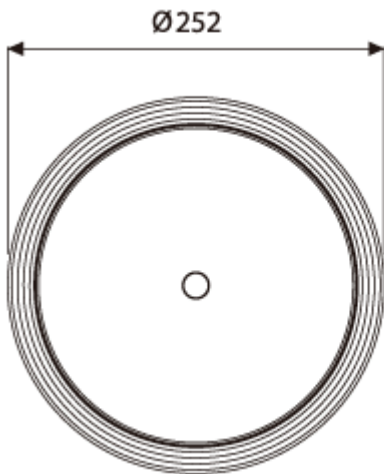
To finish the installation, ensure the bolt sits well and firm in the latch.



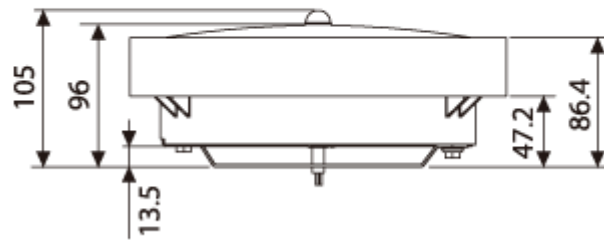
Outline / Dimension



UNIT : mm



※ With PIR Sensor



UNIT : mm