

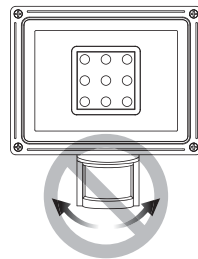
GL-FL30S-V2 User's Manual

Thank you for choosing the GL-FL30S-V2 series LED products. Please install and use the products according to the following directions to ensure the normal function and proper operation of the products. If not to follow these instructions to properly install and normally use the products, you will not get the warranty-committed compensation or protection. We will not take any responsibility for any product damage caused by improper installation or abnormal usage.



CAUTIONS

1. The warranty period will last for two years since you buy the products. If the product fails or malfunctions under the proper installation and normal usage within the warranty period, please send it back to our company with our RMA approval or contact your local distributors for free repairing or replacing services.
2. Please do not add/remove any electrical components to/from the products or change/tamper the original electrical design without our permission.
3. Please do not add/remove any mechanical components to/from the products or change/tamper the original mechanical design without our permission.
4. Please store or use the products in an environment meeting the temperature and humidity conditions designated by the product specifications.
Please do not uncover the GL-FL30S-V2 series LED products, lest waterproof and dustproof become invalid.
5. To avoid any electrical shock or functional damage, please do not insert any foreign objects into the products.
6. For further information, please contact us.



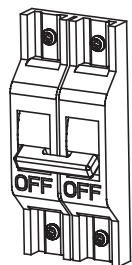
Sensor
Prohibit Rotation Around

The lighting fixture can be installed outdoor (roof), corridors or under the shelter.
燈具可被安裝在戶外有遮蔽的屋簷、騎樓、走廊。

Installation Steps

Installation procedure should be undertaken by qualified technical personnel.

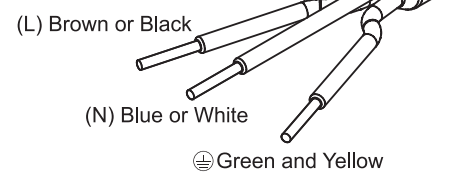
1. Before installation, please turn off the power switch for the existing bulb.



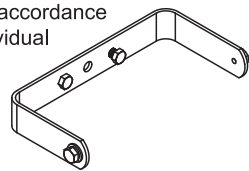
2. Please make sure that the specifications of the power connector and the output voltage are compatible to the LED fixture used.

Power Consumption : 28W
Input Voltage : 100-240V AC ,
0.45A ,50Hz/60Hz

3. At the rear side of the LED fixture, please connect the Live (L) and Neutral (N) terminal are used for connecting to power output. Please follow the standard process to connect them accordingly and do insulation on both terminal respectively.



4. Screw the LED fixture tight onto a wall or a stand and adjust the angle in accordance with individual needs.



5. Please plug the unit into an appropriate power socket and turn the power on. If the lamp does not work, please repeat steps 1-4 until it does work.

Notices

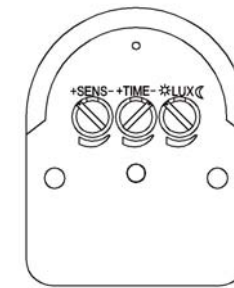
1. Do not change or tamper with any internal electric circuits or add in any wires or cables for any reason.
2. Do not change the mechanical design, circuit specifications, or components; do not add any other devices as this may cause the product to short circuit or may create other unforeseen risks.
3. Keep the lamp set in a dry environment in order to avoid any electricity leakage.
4. To avoid electrical shocks and possible malfunction, please do not insert objects of any nature into the LED product.
5. Do not touch while the lamp is on. For any maintenance or replacement, switch off the power and wait for 30 minutes to let the lamp cool down.
6. For further information, please contact with us.

PIR SPECIFICATION

Ambient Light: 3-2000LUX (adjustable)
Time-Delay: min: 10sec±3sec / max: 7min±2min
Detection Distance: 5-12m (<24°C) (adjustable)
Detection Range: 180°
Installation Height: 1.8m~2.5m
Detection Motion Speed : 0.6~1.5m/s

TEST

- Turn the SENS knob clockwise on the maximum, turn the TIME knob anti-clockwise on the minimum, turn the LUX knob clockwise on the maximum(SUN).
- When you switch on the power, the controlled load is not working. Preheat 30 seconds later, when the sensor gets the induction signal, the load will be turned on. After the load is turned off, it will be turned on again when the sensor gets induction signal within 5~15 sec.
- After the first is out, make it sense again after 5~10sec. The load should work. When there is no induction signals in the sensor, the load should be stopped working.
- Turn LUX knob anti-clockwise on the minimum. If it is adjusted in the less than 3LUX(dark), the load and sensor should not work when testing in daylight. If you cover the detectio window with the opaque objects (towel etc), the load work. Under no induction signal condition, the load should stop working within 5-15sec.



Note:

when testing in daylight, please turn LUX knob to ☀ (SUN) position, otherwise the sensor lamp could not work!

FUNCTION

- Can identify day and night: The consumer can adjust work ambient light. It can work in the daytime and at night when it is adjusted on the "sun" position (max). It can work in the ambient light less than 3LUX when it is adjusted on the "moon" position (min). As for the adjustment pattern, please refer to the testing pattern.
- SENS adjustable: It can be adjusted according to using location; low sensitivity with 5m for detection distance; high sensitivity with 12m, it fits for large room.
- Time-delay is added continually: When it receives the second induction signals after the first induction, it will compute time once more on the rest of the first time-delay basic (set time).
- Time-delay adjustment: It can be set according to the consumer's desire. The minimum time is 10sec±3sec. The maximum is 7min±2min.



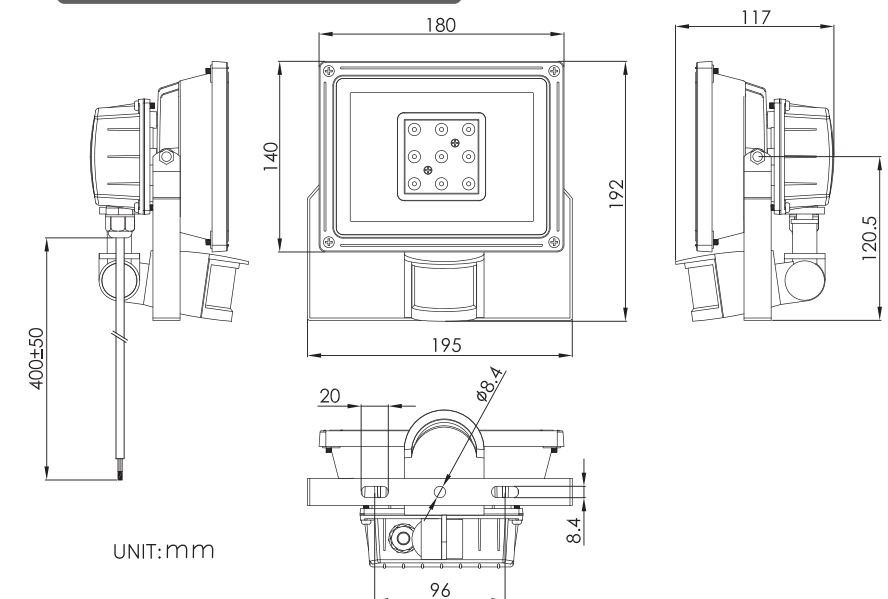
NOTE

- Should be installed by electrician or experienced person.
- Avoid installing it on the unrest object.
- There should be no hindrance and moving objects in front of the detection windows to effect detection.
- Avoid installing it near air temperature alteration zones such as air condition, central heating, etc.
- Considering your safety, please do not open the cover when you find the hitch after installation.
- If there is difference between instruction and the function the product has, please give priority to product and sorry not to inform you additionally.

SOME PROBLEM AND SOLVED WAY

- The sensitivity is poor:
 - a. Please check if there has hindered in front of the detection window to effect to receive the signal.
 - b. Please check if the ambient temperature is too high.
 - c. Please check if the induction signal source is in the detection fields.
 - d. Please check if the installation height corresponds to the height showed in the instruction.
 - e. Please check if the moving orientation is correct.
- The sensor can not shut off Lighting:
 - a. Please check if there is continual signal in the detection field.
 - b. Please check if the time delay is the longest.
 - c. Please check if the power corresponds to the instruction.
 - d. Please check if the temperature near the sensor changes obviously, such as air condition or central heating etc.

GL-FL30S-V2 Outlook



Specifications

| Type | GL-FL30S-V2-WW | GL-FL30S-V2-CW |
|-----------------------|--------------------|----------------|
| Energy Used | 28W | |
| Rated Life | 30,000 Hours | |
| Input Voltage | 100-240V AC | |
| CCT(Color) | 3000K | 5700K |
| Luminous Flux | 1570lm | 1,900lm |
| Luminous Efficacy | 56lm/W | 68lm/W |
| CRI(Typ.) | 85 | 70 |
| Beam Angle | 30° / 60° | |
| Dimension | 180 x 192 x 117 mm | |
| IP Rating | IP54 | |
| Operation Temperature | -20°C ~ +40°C | |
| Net. Weight | 1.4Kg | |

All rights reserved. All brand names and trademarks are the properties of their respective owners. The specifications are subject to change without notice.

