

GL-FL30-V2

User's Manual

Thank you for choosing the GL-FL30-V2 series LED products. Please install and use the products according to the following directions to ensure the normal function and proper operation of the products. If not to follow these instructions to properly install and normally use the products, you will not get the warranty-committed compensation or protection. We will not take any responsibility for any product damage caused by improper installation or abnormal usage.



CAUTIONS

1. The warranty period will last for two years since you buy the products. If the product fails or malfunctions under the proper installation and normal usage within the warranty period, please send it back to our company with our RMA approval or contact your local distributors for free repairing or replacing services.
2. Please do not add/remove any electrical components to/from the products or change/tamper the original electrical design without our permission.
3. Please do not add/remove any mechanical components to/from the products or change/tamper the original mechanical design without our permission.
4. Please do not store or use the products in an environment meeting the temperature and humidity conditions designated by the product specifications. Please do not uncover the GL-FL30-V2 series LED products, lest waterproof and dustproof become invalid.
5. To avoid any electrical shock or functional damage, please do not insert any foreign objects into the products.
6. For further information, please contact us.

Installation Steps

Installation procedure should be undertaken by qualified technical personnel.

1. Before installation, please turn off the power switch for the existing bulb.



2. Please make sure that the specifications of the power connector and the output voltage are compatible to the LED fixture used.

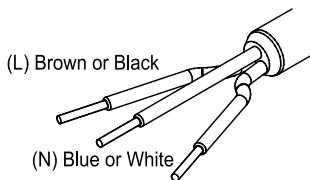
Power Consumption : 27W
Input Voltage: 100-277V AC ,
0.45A, 50Hz/60Hz

3. At the rear side of the LED fixture, please connect the Live (L) and Neutral (N) terminal are used for connecting to power output. Please follow the standard process to connect them accordingly and do insulation on both terminal respectively.

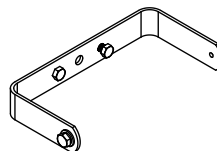
(L) Brown or Black

(N) Blue or White

⊖ Green and Yellow



4. Screw the LED fixture tight onto a wall or a stand and adjust the angle in accordance with individual needs.



5. Please plug the unit into an appropriate power socket and turn the power on. If the lamp does not work, please repeat steps 1-4 until it does work.

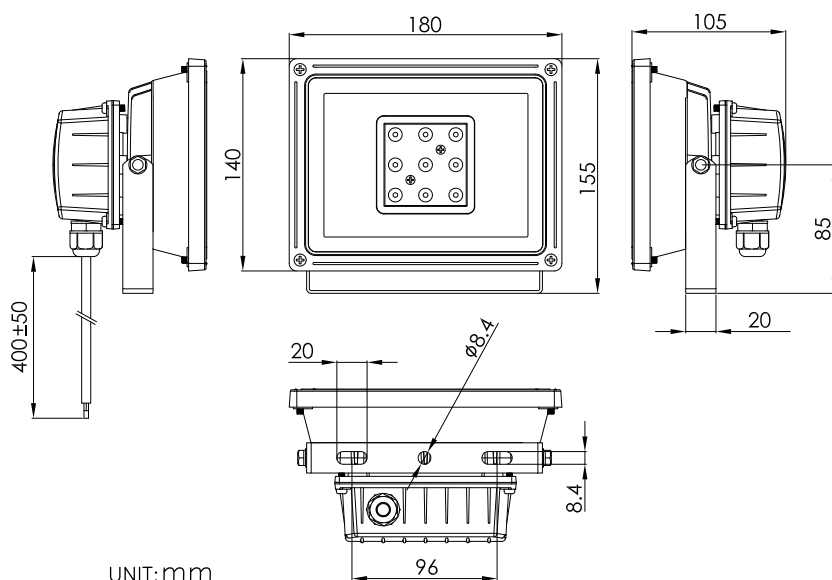
Notices

1. Do not change or tamper with any internal electric circuits or add in any wires or cables for any reason.
2. Do not change the mechanical design, circuit specifications, or components; do not add any other devices as this may cause the product to short circuit or may create other unforeseen risks.
3. Keep the lamp set in a dry environment in order to avoid any electricity leakage.
4. To avoid electrical shocks and possible malfunction, please do not insert objects of any nature into the LED product.
5. Do not touch while the lamp is on. For any maintenance or replacement, switch off the power and wait for 30 minutes to let the lamp cool down.
6. For further information, please contact with us.

Specifications

Type	GL-FL30-V2-WW	GL-FL30-V2-CW
Energy Used	27W	
Rated Life	30,000 Hours	
Input Voltage	100-277V AC	
Power Factor (PF)	0.95@120V AC, 0.84@240V AC	
CCT(Color)	3000K	5700K
Luminous Flux	1570lm	1900lm
Luminous Efficacy	58lm/W	70lm/W
CRI (Typ.)	85	70
Beam Angle	30° / 60°	
Dimension	180 x 140 x 105 mm	
IP Rating	IP66	
Operation Temperature	-20°C ~ +40°C	
Net. Weight	1.2Kg	

GL-FL30-V2 Outlook



UNIT:mm

