

Electronic Potentiometer

◆ FEATURES

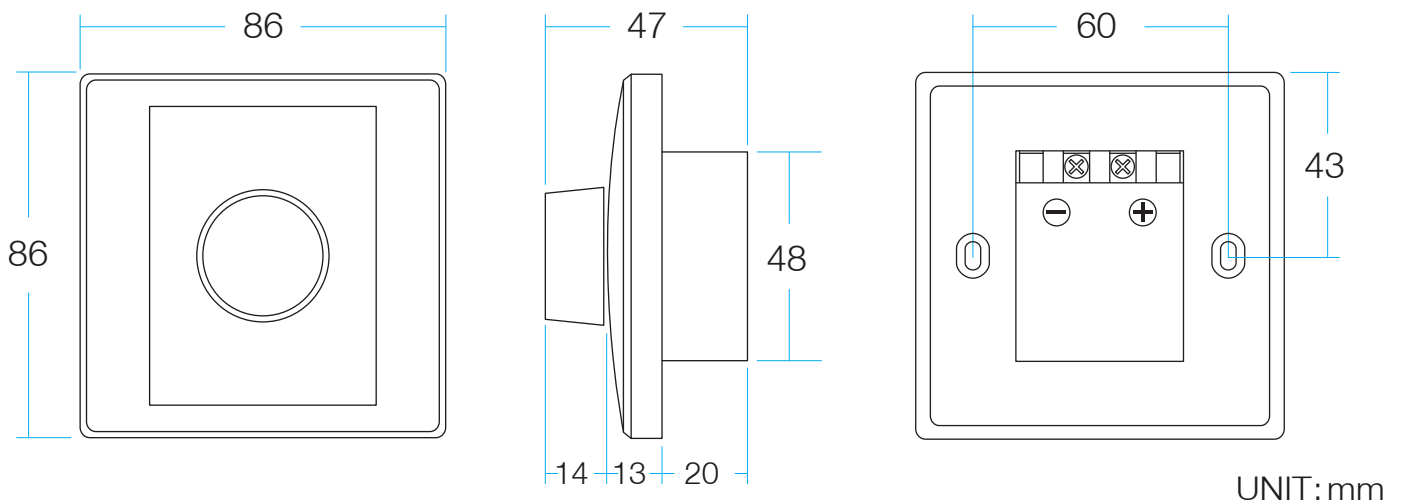
- The Installation must be carried out by an electrical specialist in accordance with international and national standards.
- The max. load connected to the driver is 10V/40mA.
- Designed for 1-10V regulating and Compatible all 0/1-10V interface dimmable electronic LED Driver & ballasts & transformers and power dimmers.
- Place the driver away from direct heat sources and in well-aired spaces. If the driver is built-in, sufficient ventilation must be ensured;
- Minimum output connect cable size is 1007#20 AWG ; Maximum output connect cable length: 50M.
- When connecting the electronic LED Driver & ballasts & transformers and power dimmers., careful attention should be paid to connecting



◆ SPECIFICATION

Product Type	Electronic Potentiometer
Model No	GL-EC013
Max. Control Voltage	10Vdc
Min. Control Voltage	0.5Vdc
Max. Control Current	40mA
Ambient Temperature	-10 ~ + 40°C

◆ Mechanical Dimension: 86Lx86Wx47Hmm



◆ Wiring Diagram

