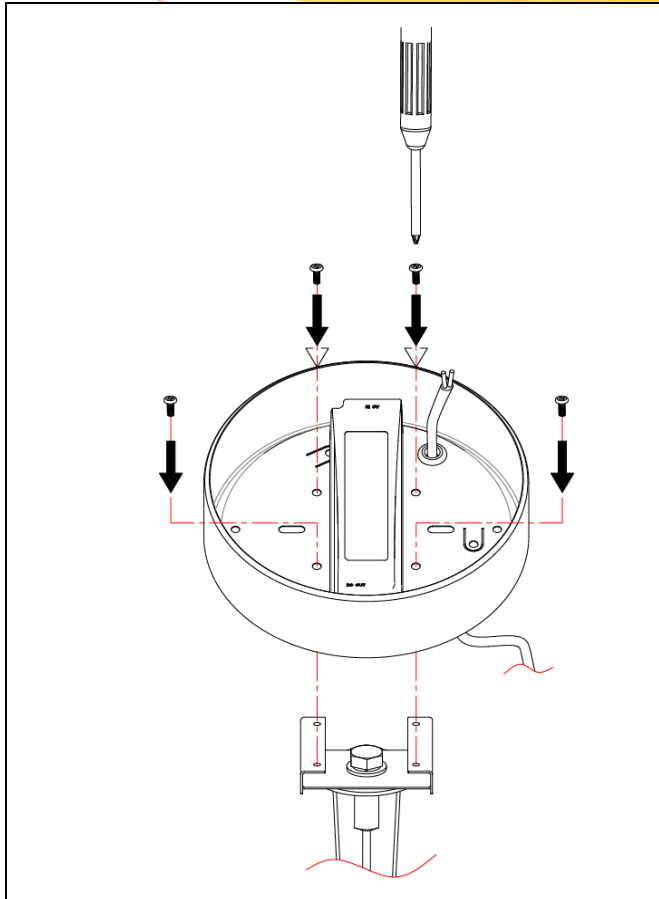


GL-BL60 LED Bay Light

Installation Instructions for Outdoor Stake Light Bracket

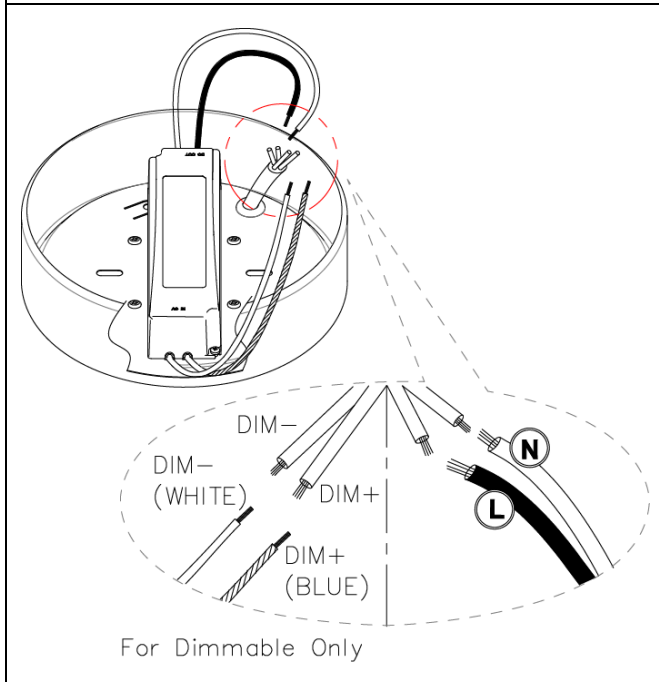


Photograph	Description
	<p>步驟一。 將插地拔插入地面，再依安裝順序組合固定座。</p> <p>Step 1. Place the stake securely into the ground, and attach the bracket using the bolt and washers in the order shown in the diagram.</p>



步驟二.
將 AC 線穿過電源盒出線孔，並以 4 個 M 5 螺絲鎖付固定電源盒。

Step 2.
Insert the AC power cord through the lighting mount, and use 4 M5 screws to attach the lighting mount to the bracket.



步驟三.
連接 AC 線到電源驅動器 L/N。

Step 3.
Connect the AC power cord to the internal LED driver power lines (L/N).

User Manual

1. Instructions

To ease the installation process and ensure the optimal performance of the product, carry out the installation procedure in compliance with the following safety guidelines:

- Unpack carefully and ensure there is no product damage during shipping. Should the product be found damaged during shipping, please return it to your supplier.
- All the electrical wiring necessary for the proper installation of the LED lamp is supposed to be conducted by qualified personnel to prevent electric shock or product damage.
- Avoid moisture. Should the LED lamp be moistened by any liquid or fluid that may conduct electricity, immediately disconnect it from the power source.
- In case of a malfunction, turn off the power source immediately. Never try to repair the LED lamp by yourself as this may cause serious damage and void your warranty. Instead, contact your local dealer for technical assistance.
- Please recycle the product packaging.

2. LED Lamp

- Never touch the LED lamp when it turns on or gets hot.
- Unless otherwise specified, never use LED lamp in humid environments.
- Appropriate ambient temperature: -20 to +40°C

3. Troubleshooting

- One of the following problems may appear while you use the LED lamp:
 - ◆ No light:
Check whether your LED lamp and all other accessories are properly fitted into the fixture and adequately connected to the specified power source.
- Fixture Cleaning
To optimize the light output, we recommend that you periodically clean the internal and external optical lenses as well as the reflection mirrors. Only use a dry soft cloth, a dust brush or a vacuum cleaner and never use any liquid chemical cleaner or water to clean the lamp.

Please refer to www.GlacialLight.com for the complete installation manual.