

# GL-BL300 Brace Accessories User's Manual

Thank you for choosing the GL-BL300 Brace Accessories.

Please install and use the products according to the following directions to ensure normal function and operation.

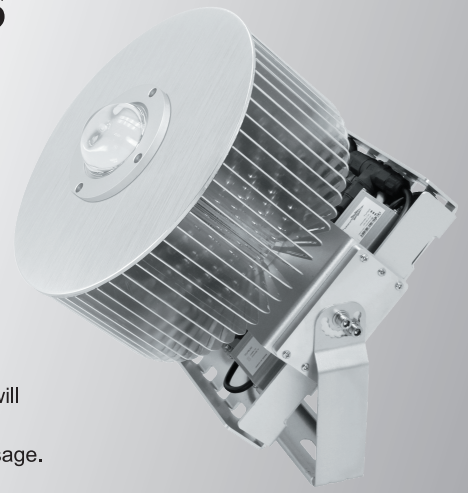
Please use stainless screw to fix holder and make sure screwed tightly.

Please do not add/remove any electrical components to/from the products or change/tamper the original electrical design without our permission.

Please do not add/remove any mechanical components to/from the products or change/tamper the original mechanical design without our permission.

If you do not follow these instructions to properly install and use the GL-BL300 Brace Accessories, you will not be eligible for warranty compensation or protection.

We do not take any responsibility for product damage resulting from improper installation or abnormal usage.



## Installation Instructions for BL190

### Step 1.

Gather parts for brace assembly.

U shape brace × 1

Side plate × 2

M4x10 screws × 4

M8x25 screws with nuts and washers × 4

### 步驟 1.

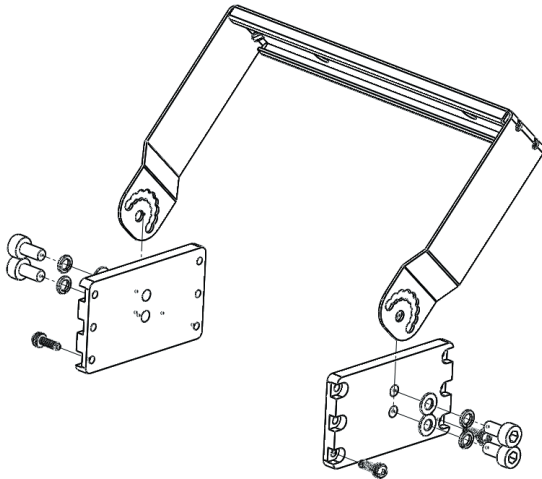
取出支架、螺絲配件

U型支架 × 1

側板 × 2

M4x10組合螺絲 × 4

M8x25內六角螺絲組合 × 4

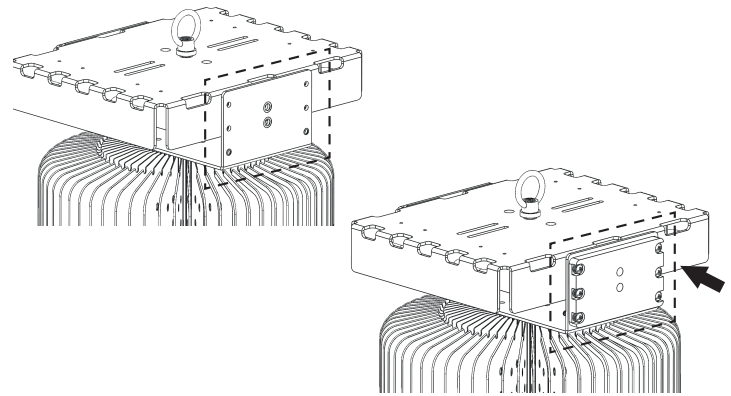


### Step 2.

Remove all screws from the two sides of driver brace first, and then attach the side plates on it and fix them by M4x10 screws.

### 步驟 2.

先拆卸下電源支架兩側的所有螺絲，然後將側板安裝在上面，並用M4x10螺絲固定。

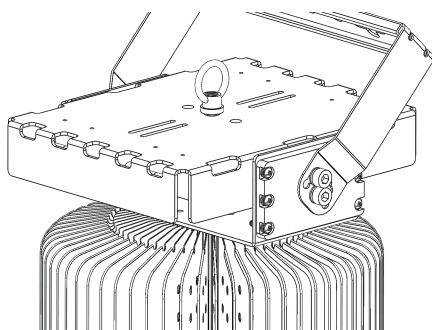


### Step 3.

Attach the U shape brace on the side plates and fix them by four M8x25 screws.

### 步驟 3.

將U形支架安裝在側板上並用4個M8x25螺釘固定。



### Step 4.

Control the angle of the lighting fixture by adjusting the M8x25 screws according to the application.

### 步驟 4.

依實際應用調整螺絲控制燈具角度。

