

GL-BL190 Series User's Manual

Thank you for choosing the GL-BL190 LED products.

Please install and use the products according to the following directions to ensure normal function and operation.

Please use stainless screw to fix holder and make sure screwed tightly.

Please do not add/remove any electrical components to/from the products or change/tamper the original electrical design without our permission.

Please do not add/remove any mechanical components to/from the products or change/tamper the original mechanical design without our permission.

If you do not follow these instructions to properly install and use the GL-BL190, you will not be eligible for warranty compensation or protection.

We do not take any responsibility for product damage resulting from improper installation or abnormal usage.

* For 3 in 1 dimmable function

- "DIM+ / DIM-" Connecting a variable resistor (0~100KΩ resistor) / 0~10Vdc Direct Voltage or a 10V / PWM signal can adjust the dimmable lighting.
- Connecting "DIM+ / DIM-" to "AC L / AC N" may damage the Lighting.
- When the control cable "DIM+ / DIM-" is open, LED Light output is 100%.



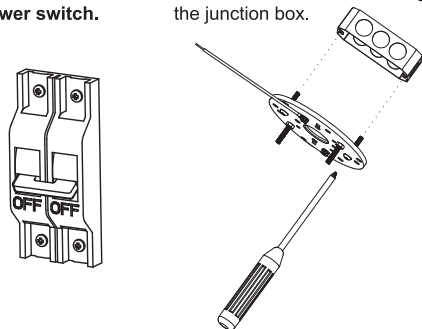
Installation Steps

The set up process should be executed by qualified (Certified) engineers.

Step 1.

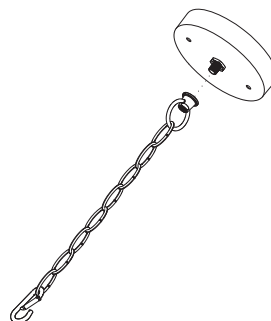
Before installation, please turn off the power switch.

Use a Phillips screwdriver and two 8#-32 screws to secure the mounting plate to the junction box.



Step 2.

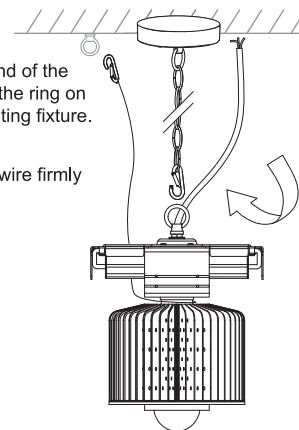
Lock one end of the safety chain to the ceiling mount.



Step 3.

3-1 Hook the other end of the safety chain into the ring on the top of the lighting fixture.

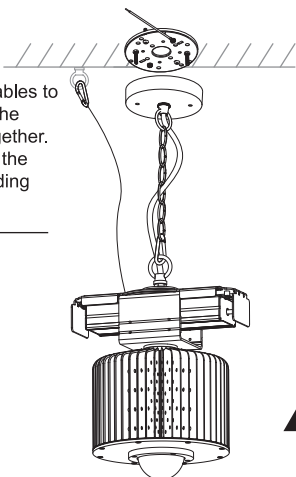
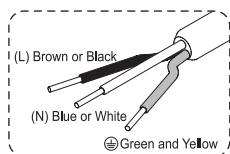
3-2 Secure the steel wire firmly to the ceiling.



Step 4.

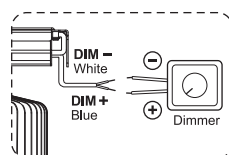
Connect the fixture's power cables to their corresponding colors of the power source and entwine together. Connect the grounding line to the grounding screw of the grounding devices or mounting plate.

⊕ Grounding line should be fixed perpetually and not allow to disconnect.



* For 3 in 1 dimmable

Connecting the illumination dimmer to LED driver DIM+/DIM-

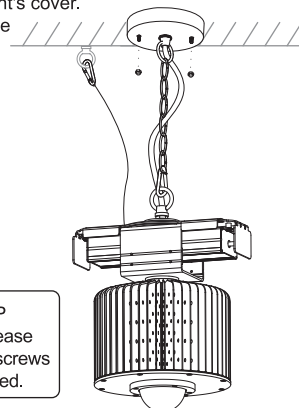


⚠ Connecting "DIM+ / DIM-" to "AC L / AC N" may damage the Lighting.

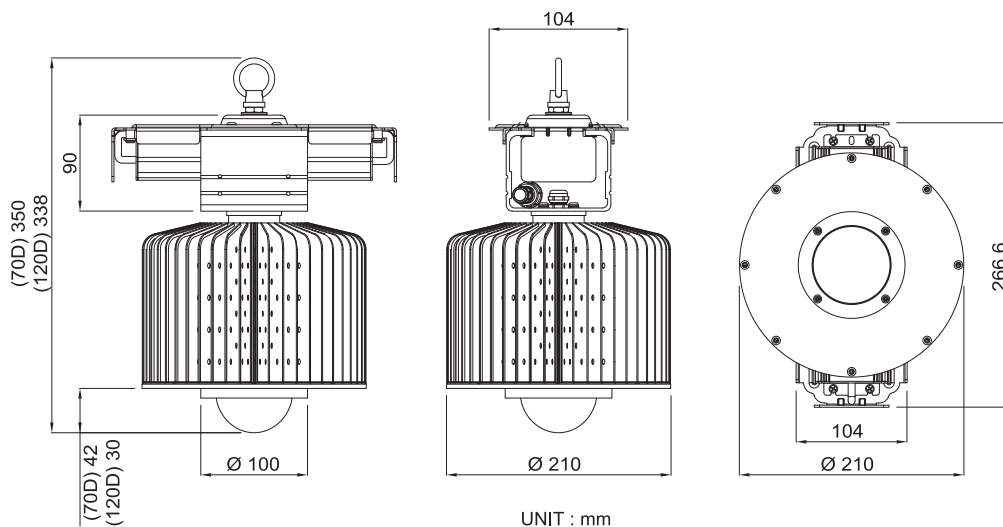
Step 5.

Secure the ceiling mount's cover, followed by screwing the semi-circular nut tight.

⚠ To ensure the IP certification, please make sure the screws are firmly installed.



GL-BL190 Outlook



Notices

1. Avoiding improper use to exceed the criterion limitation of lamp operation temperature.
2. Allow lamp to cool before replacing.

CAUTIONS

1. If the external flexible cable or cord of this luminaire is damaged, it shall be exclusively replaced by the manufacturer or his service agent or a similar qualified person in order to avoid a hazard.
2. Prior to installation, remove the AC power.

IP66 BR

GL-BL190系列 使用手冊

感謝您選擇使用 GL-BL190 LED 燈具。

請您依據下列說明指示來安裝本產品，以確保本產品的正常運作。

請使用不鏽鋼螺絲固定支架，並確實鎖緊。

請勿增加或刪除任何電子元件，未經許可勿更改或修改電氣設計。請勿增加或刪除任何機構元件，未經許可勿更改或修改機構設計。

如您未按說明指示妥善安裝以及正常使用 GL-BL190 燈具，您的產品將無法得到正常的保修補償。不正常的安裝與使用所造成的產品損壞，本公司免責權利。

* 3合1調光功能說明

- 在 DIM + 和 DIM - 之間連接一個可變電阻(0~100KΩ resistor)或連接0~10Vdc直流電壓或 10V / PWM信號，可調整亮度。
- 勿將 DIM + / DIM - 與 AC L / AC N 相連接，這樣會造成 LED 驅動器損壞。
- 當控制線 DIM + / DIM - 開路(open)時，亮度輸出為100%。



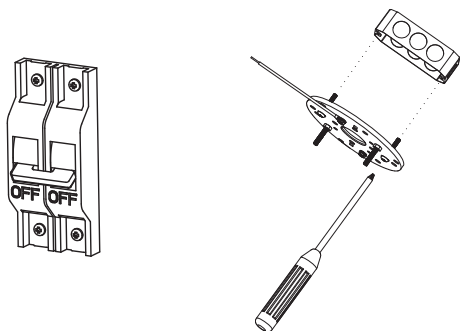
安裝指南

安裝流程應由合格的技術人員進行

安裝前，請確實關閉交流電源開關

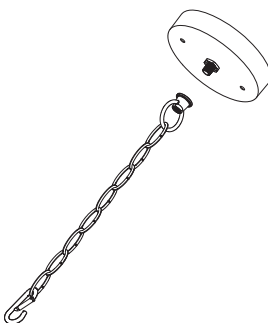
步驟 1.

使用十字螺絲起子，將固定板上的2顆 8#-32螺絲，鎖固在接線盒。



步驟 2.

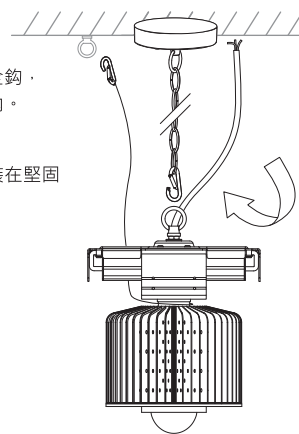
將鍊條一端的吊環，鎖固於圓蓋上。



步驟 3.

3-1. 將鍊條一端的安全鉤，鉤入燈具的吊環內。

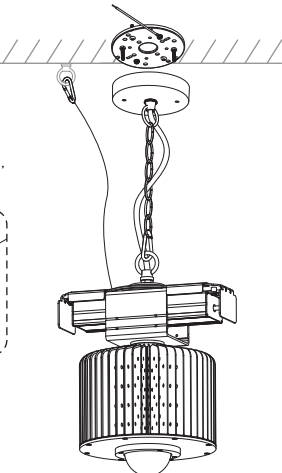
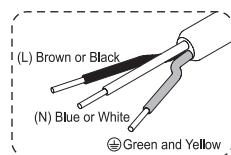
3-2. 請確實將鋼繩安裝在堅固的天花板上。



步驟 4.

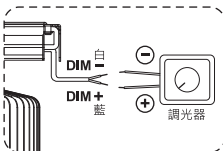
依照電源線的顏色配接，地線分別接到固定板上的地線螺絲。

⊕ 接地線應永久固定連接，不可斷開。



* 3合1調光功能

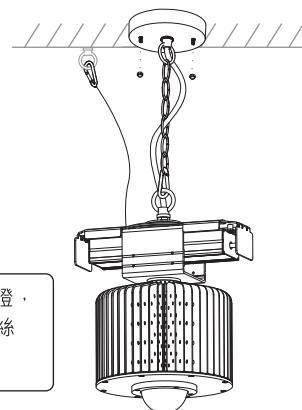
連接調光器到電源驅動器 DIM+ / DIM-



⚠ 勿將 DIM+ / DIM- 與 AC L / AC N 相連接，這樣會造成 LED 驅動器損壞。

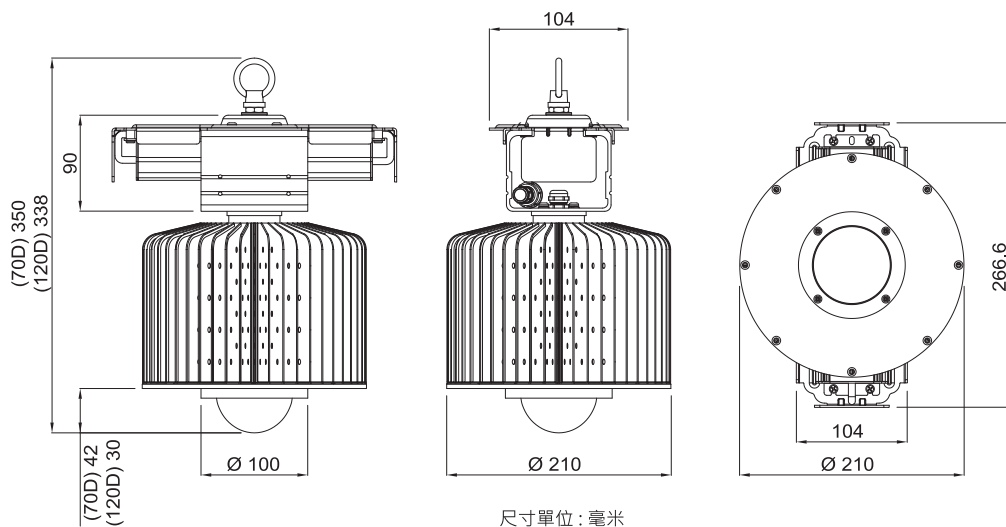
步驟 5.

將飾板蓋上，並將螺母鎖固。



⚠ 為確保 IP 認證，請確實將螺絲安裝牢固。

GL-BL190外觀



尺寸單位：毫米

燈具使用注意事項

1. 避免使用超過燈具工作溫度標準外。
2. 請燈具冷卻之後再進行更換。

警告

1. 如果燈具外部纜線有損壞，應當由製造商、代理商或符合資格的施工人員做更換，以避免危險。
2. 安裝前，請確實關閉交流電源。



©2018 GlacialTech Inc. 版權所有 翻印必究
本說明書內容如有變更恕不另行通知。
欲瞭解更多資訊，請參閱官方網站：www.GlacialLight.com



IP66 BR

17-BLA9S000002