

GL-FD15 Series User's Manual

Thank you for choosing the FD15 Series LED products.

Please install and use the products according to the following directions to ensure normal function and operation.

Please use stainless screw to fix holder and make sure screwed tightly.

Please do not add/remove any electrical components to/from the products or change/tamper the original electrical design without our permission.

Please do not add/remove any mechanical components to/from the products or change/tamper the original mechanical design without our permission.

If you do not follow these instructions to properly install and use the FD15 Series Series, you will not be eligible for warranty compensation or protection.

We do not take any responsibility for product damage resulting from improper installation or abnormal usage.



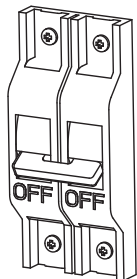
Installation Steps

The set up process should be executed by qualified (Certified) engineers.

Step 1.

Before installation, please turn off the power switch.

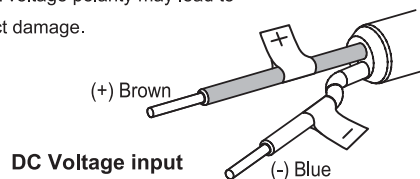
Please be aware of the correct DC polarity before use.



Step 2.

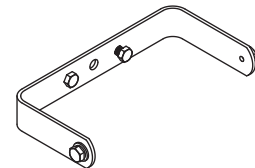
The GL-FD15 series LED products feed only on a DC voltage source having an appropriate output voltage designated by the product specifications. Please connect respectively the Brown (+) and Blue (-) wires/terminals at the rear side of the GL-FD15 series LED products to the Positive (+) and Negative (-) wires/terminals of the DC voltage source.

Misusing an inappropriate voltage source or reversing the correct voltage polarity may lead to product damage.



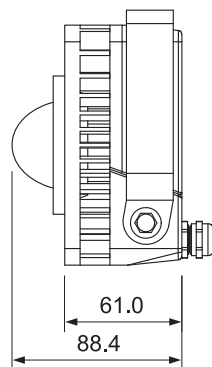
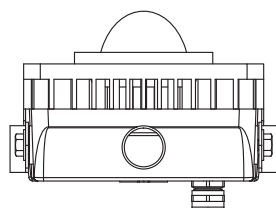
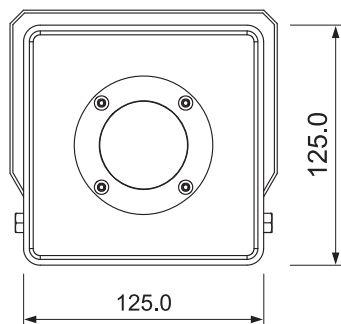
Step 3.

Screw the LED fixture tight onto a wall or a stand and adjust the angle in accordance with individual needs.



* Please use stainless screw to fix holder and make sure screwed tightly.

FD15 Series Outlook



Net Weight:
950 g (with driver)

UNIT: mm

Notices

1. Avoiding improper use to exceed the criterion limitation of lamp operation temperature.
2. Allow lamp to cool before replacing.
3. Not suitable for dimming function.

CAUTIONS

1. If the external flexible cable or cord of this luminaire is damaged, it shall be exclusively replaced by the manufacturer or his service agent or a similar qualified person in order to avoid a hazard.
2. Prior to installation, remove the DC power.



GL-FD15 系列 使用手冊

感謝您選擇使用 FD15 系列LED燈具。

請您依據下列說明指示來安裝本產品，以確保本產品的正常運作。

請使用不鏽鋼螺絲固定支架，並確實鎖緊。

請勿增加或刪除任何電子元件，未經許可勿更改或修改電氣設計。

請勿增加或刪除任何機構元件，未經許可勿更改或修改機構設計。

如您未按說明指示妥善安裝以及正常使用FD15，您的產品將無法得到正常的保
修補償。

不正常的安裝與使用所造成的產品損壞，本公司具免責權利。

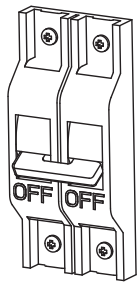


安裝指南 安裝流程應由合格的技術人員進行

步驟 1.

安裝前，
請確實關閉電源開關。

安裝前請確定直流電壓極性。

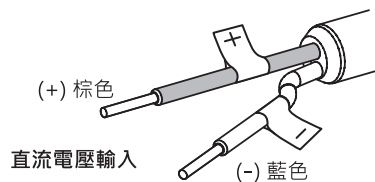


步驟 2.

GL-FD15系列產品，只適用於輸出是直流電壓源，
指定的產品規格電壓。

直流電壓源的正極(+)和負極(-)，請分別連接到
GL-FD15系列LED產品的背面，電線尾端的棕色(+)和
藍色(-)電線。

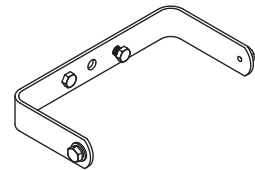
誤接了不合適的電壓源或接反了電壓極性可能會導
致產品損壞。



步驟 3.

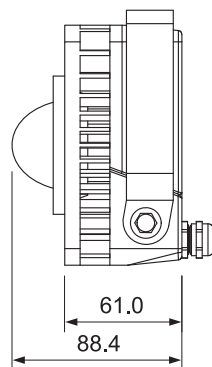
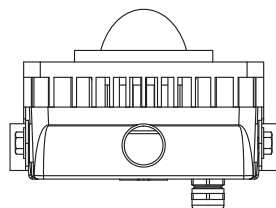
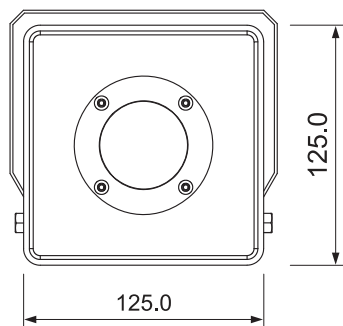
使用螺絲將燈具固定於牆面
或支架上。

依需求調整照射角度。



* 請使用不鏽鋼螺絲固定
支架，並確實鎖緊

FD15 外觀



淨重：
950 公克 (包含電源)

尺寸單位：毫米

燈具使用注意事項

1. 避免使用超過燈具工作溫度標準外。
2. 請燈具冷卻之後再進行更換。
3. 不適合調光功能。

警告

1. 如果燈具外部纜線有損壞，應當由製造商、代理商或符合資格的施工人員做更換，以避免危險。
2. 安裝前，請確實關閉直流電源。

