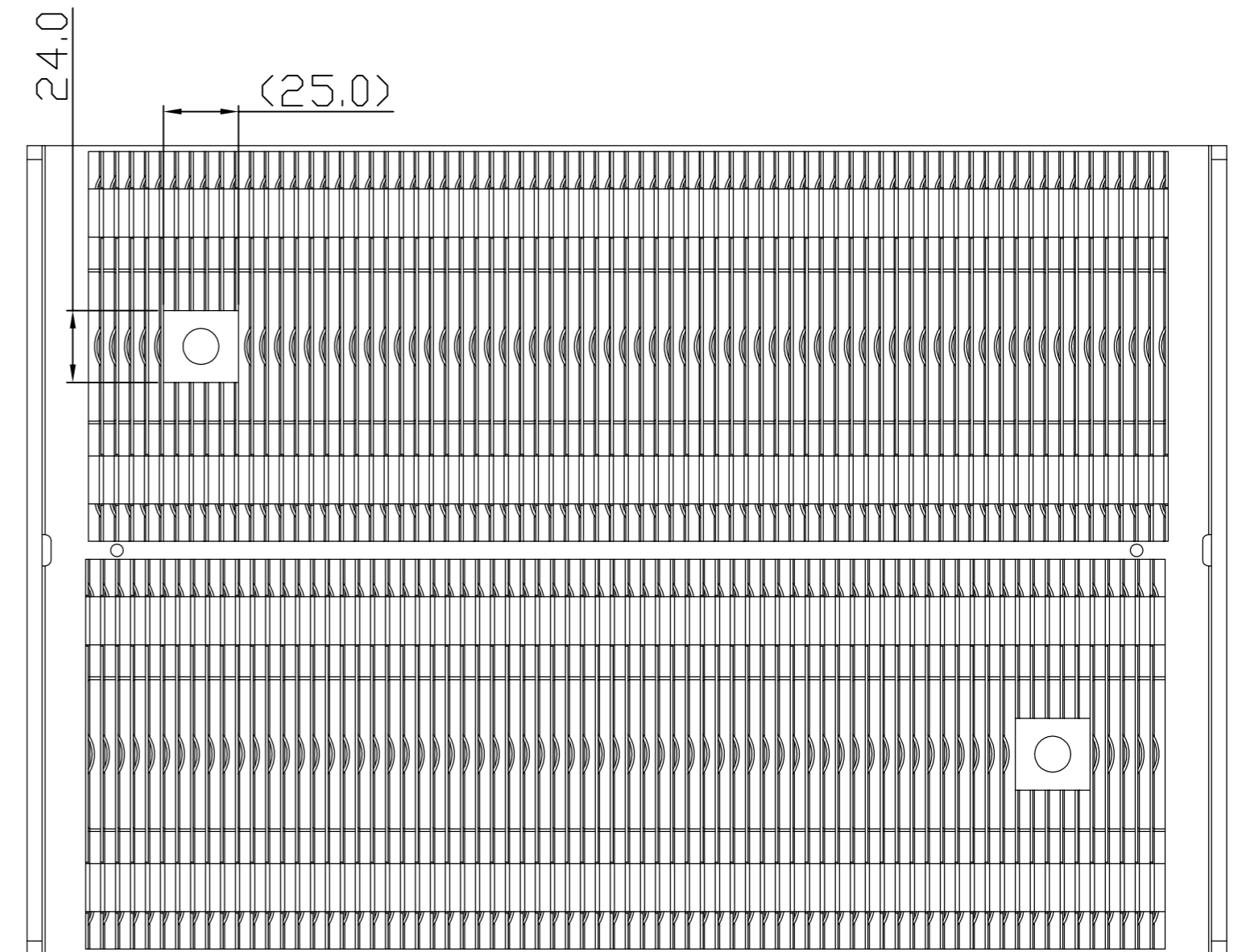
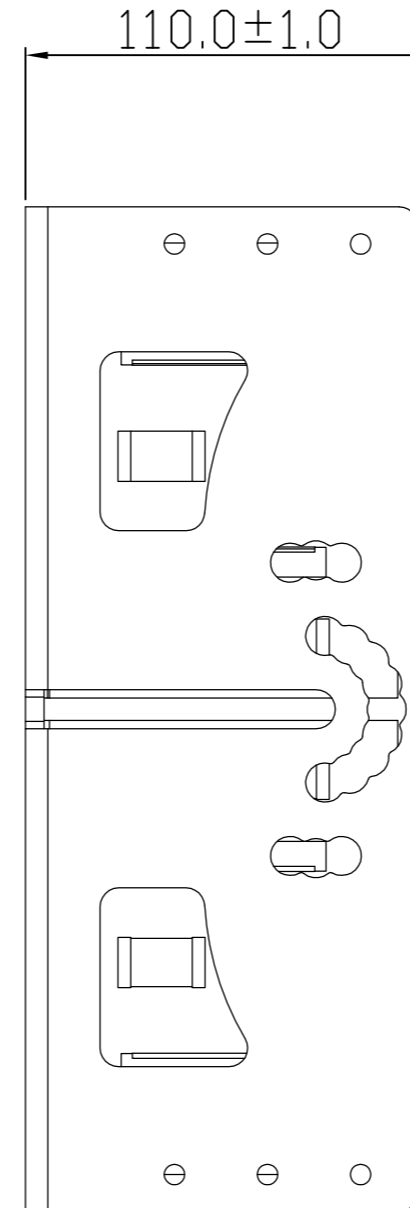
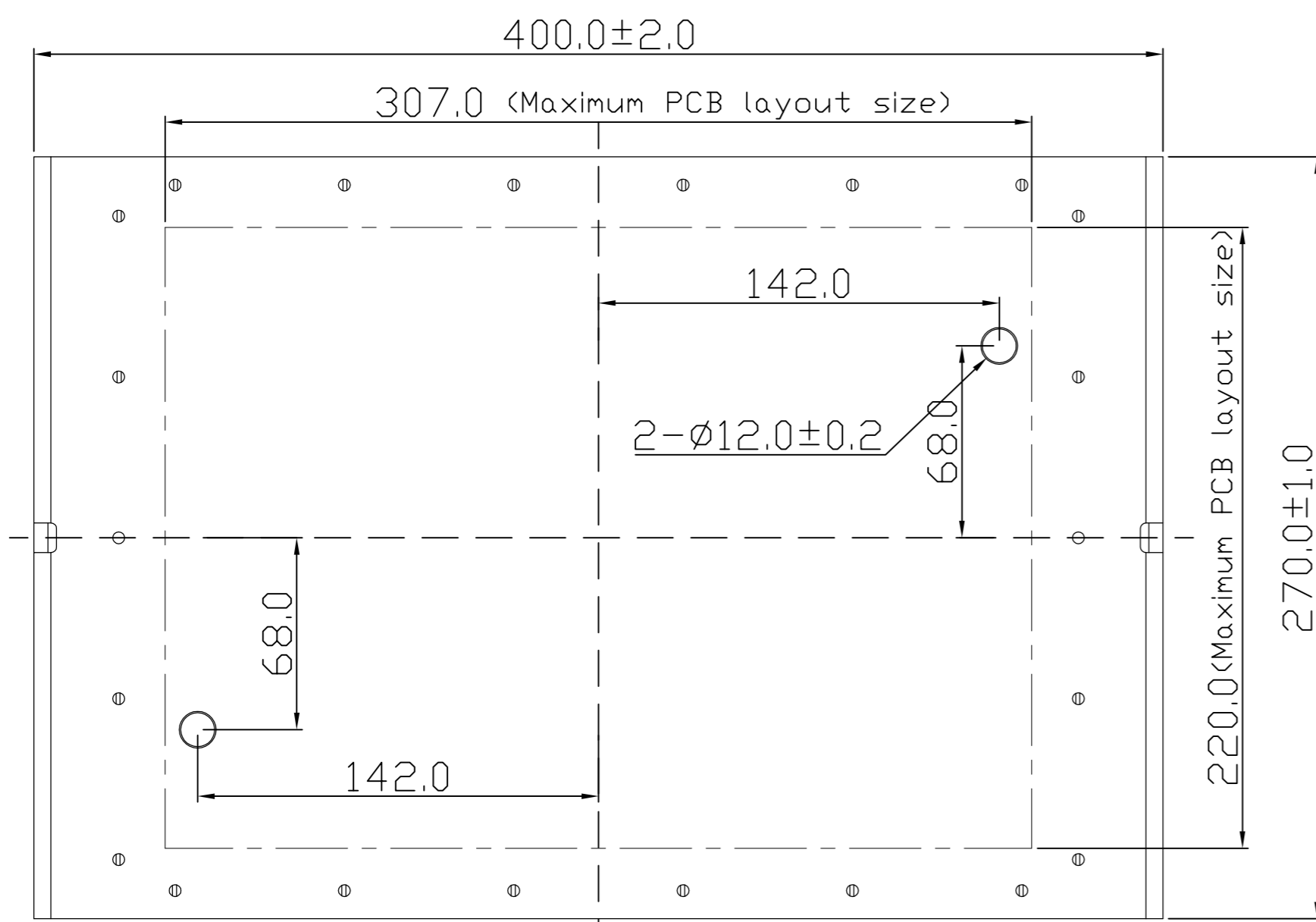
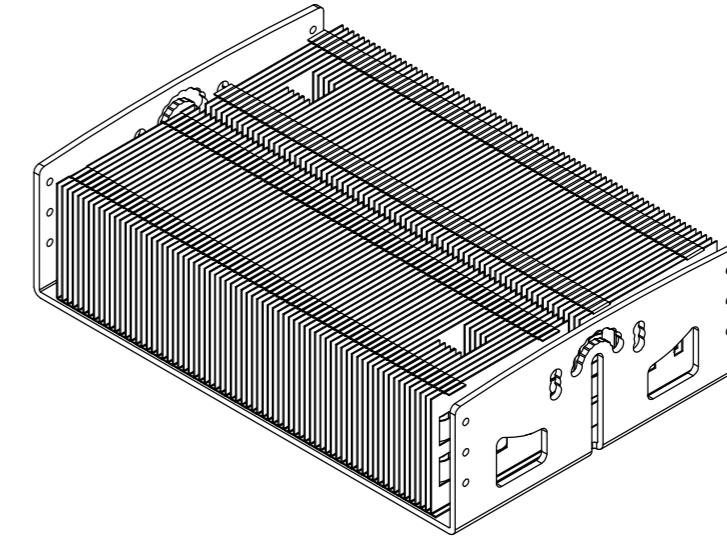
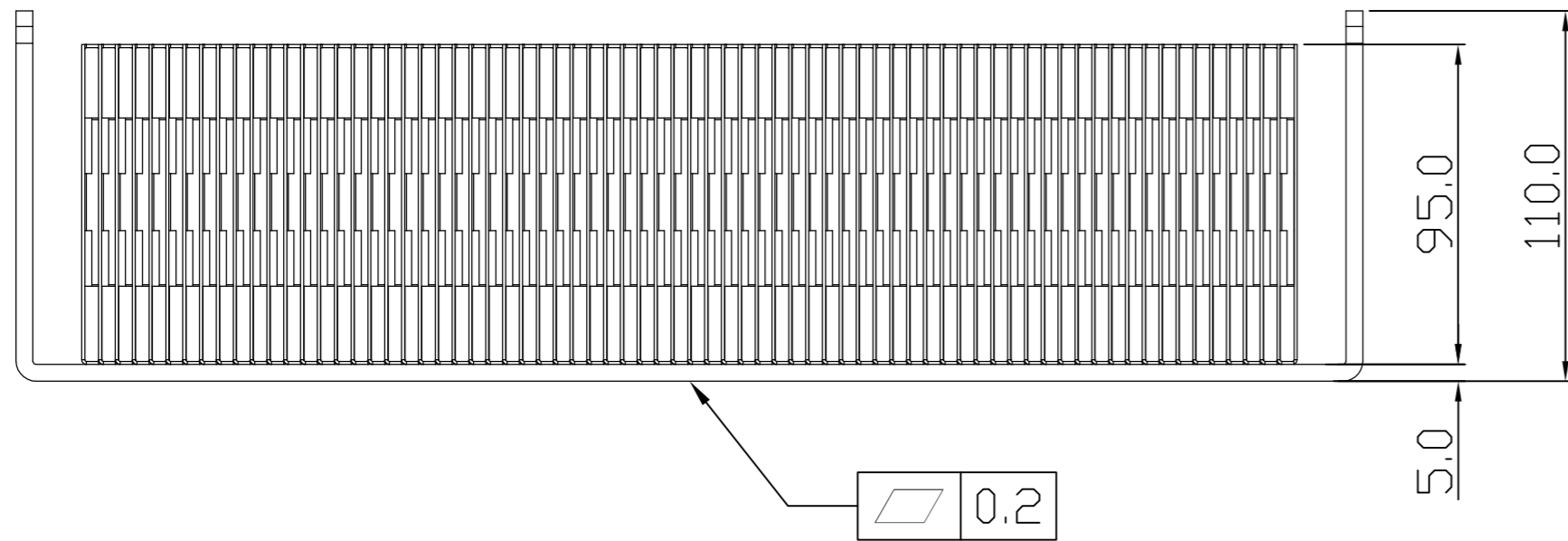


REVISION			
MARK	DESCRIPTION	DATE	APPROVED
△	NEW	2017/03/09	Ryan



NOTES:

- 1.洋鑫料號：CT-SS400
- 2.底板材料板厚=5.0mm,扣FIN厚度0.8mm,一組72pcs,共兩組
- 3.表面處理：黑色電泳(不可噴砂)
- 4.表面不可有毛邊,刮傷,髒污,異色之現象
- 5.表面不可有明顯歪斜變形之現象
- 6.所有材料及表面處理須符合環保RoHS要求

		REV. SPEC: AL 1050 ,T=0.8 & 5.0	UNSPECIFIED TOL: % X.XX ±0.10 XX.XX ±0.20 XXX.XX ±0.25 ANGULAR ±1.00	WHI. NO: CT-SS400000AK0001
APPROVED BY		DATE	DRAWING TITLE: SS400 Heat Sink	
CHECKED BY		SCALE	DRAWING NO. RF03-26	
DESIGN BY		SIZE	REV	SHEET
DRAWN BY: Ryan	2017/03/09	A2	A	1/1