

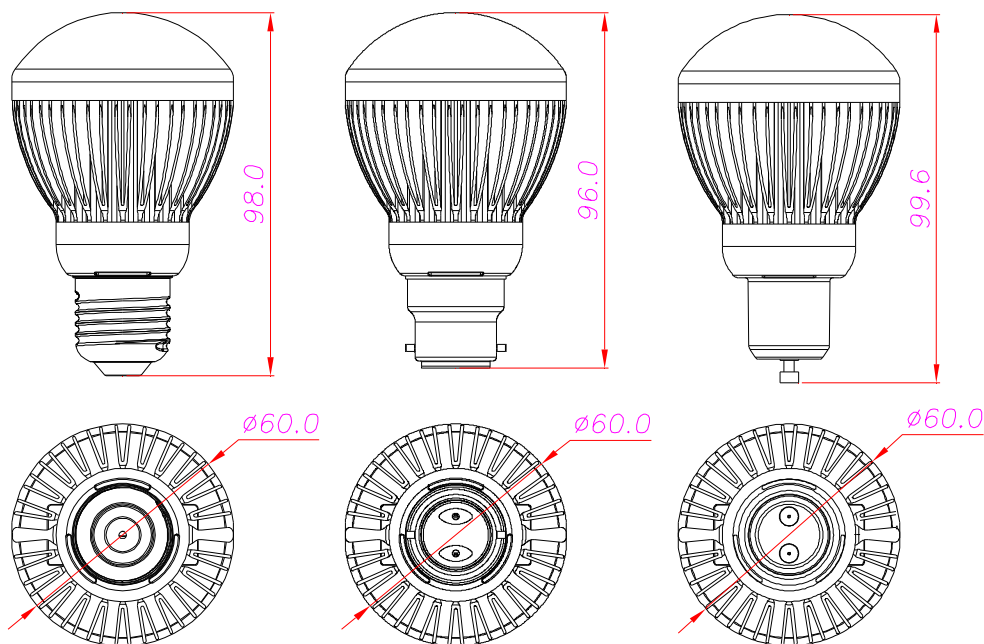
LED BR20 Series



GlacialTech has unique products in **BR20 series LED bulbs**. It uses high power LED including **5 W AC-LED** light source series products. It can replace traditional BR halogen lamp with excellent features like long lifetime for min. 40,000 hrs. (*It's for design lifetime with L70 and under 25 degrees working temperature), high luminous efficacy and reduces environmental pollution. The bulbs can use standard E26/E27/GU10/B22 socket to conveniently replaces traditional light source and suitable for use 100V. The bulbs are used for spotlight, accent light and local lighting.

GlacialTech 的 BR20 系列使用高亮度 AC-LED，其中包含 5 W 之 AC-LED 可代替傳統鹵素燈，並具備比傳統燈泡更優良的特性如：使用壽命長-高於 40,000 小時(是指設計壽命並限制在 L70，也就是光衰小於 30%，環溫在 25 度條件下)、高發光效能並具備環保節能特性，燈座可安裝於 E26/E27/GU10/B22 之傳統標準規格並適用於 100V 電壓，主要使用於投光燈、裝飾燈與一般室內照明。

Ø Dimensions 尺寸



E26/ E27 Type

B22 Type

GU10 Type

Ø Specifications 產品規格

Model No. 型號	GL-BR20-10WW	GL-BR20-10CW
CCT (Typical) 色溫	3000 K	6000 K
Typical Power Consumption 消耗瓦數	5 W	
Luminous Flux (lm) 光通量 (流明)	200 lm	300 lm
Input Voltage 輸入電壓	100V	
Input AC Current (Max.) 輸入最大電流	100V AC /30mA	
Socket Base 適用燈座型號	E26 / E27/ GU10/ B22	
Operation Temp. Range 操作溫度	-20°C ~ +40°C	
Typical Luminous Efficacy 發光效能 (流明/瓦)	40 lm/W	60 lm/W
CRI 演色性	> 75	> 70
Beam Angle 光束角	150°	
Warranty 保固期	2 Years	
Application 應用	Architectural Lighting/ Cabinet Lighting/ Commercial Lighting/ Landscape Lighting/ Spot Lighting/ Accent Lighting/ Hallway Lighting 建築與室內裝潢/ 玄關走廊/ 商業空間/ 園藝造景/ 裝飾燈/ 投光燈	
Outline Dim. 外觀尺寸(公厘)	f 60*98 mm (E27/E26) ; f 60*96 mm(B22) ; f 60*99.6 mm(GU10)	
Net. Weight Outline 淨重(公斤)	115±5g	



Ø Energy Saving & CO₂ Reduction Comparison Table 節能減碳比較表

Item 項目	GL-BR20-5CW (6000 K)	CFL	Halogen Bulbs
Life Time 壽命(小時)	40,000 hrs	6,000 hrs	3,000 hrs
Typical Power Consumption 消耗瓦數(=A)	5 W	11 W	40 W
Typical Power Consumption per year 每年消耗瓦數(12hrx365day/KWh)*A=B	21.9 KW	48.1 KW	175.2 KW
CO ₂ Quantity (Kgs/year) 每年 CO ₂ 排放量 (公斤) (0.637*B=D)	13 Kgs	30 Kgs	111Kgs
Energy Saving Rate 與節能燈泡相比之省電率 (Compare with CFL)	56%		
Energy Saving Rate 與鹵素燈泡相比之省電率 (Compare with Halogen Bulbs)	88%		



CO₂ calculation reference IPCC guide=0.637 CO₂/KWh (Taiwan)