



## Features

- Translucent blue trim glows when light turns on
- Attachment options: Chain, pendant rod, cables
- Frosted lighting cover provides for smoother illumination
- IP65 certified lighting fixture
- Included LED driver is IP67
- Dimmable models available.(GL-BL50D series)



## Specifications

(DC dimmable : 1-10V/PWM/Resistor) **Frosted Cover/With Lampshade** (default shipment)

Type	GL-BL50DA-WW	GL-BL50DA-NW	GL-BL50DA-CW
Energy Used	47.5W		
Rated Life	30,000 Hours		
Input Voltage	100-240V AC		
Power Factor (PF)	0.98 at 120V AC, 0.93 at 240V AC		
CCT (color)	3000K	4000K	5000K
Luminous Flux	4100 lm	4200 lm	4300 lm
System Efficacy	86 lm/W	88 lm/W	91 lm/W
CRI (Minimum)	80	80	80
Beam Angle	90° with lampshade		
Dimension	Φ 305 x 300mm		
IP Rating	IP65		
Operation Temperature	-20°C ~ +40°C		
Bundled Driver	GP-HS60P-42CA2 (Driver Output : Constant Current 1.2A, 4 28~42V)		
Net Weight	2.1kg (with driver & lampshade)		
Package	4 Boxes / Carton		

(DC dimmable : 1-10V/PWM/Resistor) **Frosted Cover/Without Lampshade**

Type	GL-BL50DA-WW	GL-BL50DA-NW	GL-BL50DA-CW
Energy Used	47.5W		
Rated Life	30,000 Hours		
Input Voltage	100-240V AC		
Power Factor (PF)	0.98 at 120V AC, 0.93 at 240V AC		
CCT (color)	3000K	4000K	5000K
Luminous Flux	4400 lm	4750 lm	4850 lm
System Efficacy	93 lm/W	100 lm/W	102 lm/W
CRI (Minimum)	80	80	80
Beam Angle	110° without lampshade		
Dimension	Φ 200 x 170mm		
IP Rating	IP65		
Operation Temperature	-20°C ~ +40°C		
Bundled Driver	GP-HS60P-42CA2 (Driver Output : Constant Current 1.2A, 28~42V)		
Net Weight	1.5kg (with driver)		
Package	4 Boxes / Carton		

(DC dimmable : 1-10V/PWM/Resistor) **Glass Lens/With Lampshade**

Type	GL-BL50DA-WW	GL-BL50DA-NW	GL-BL50DA-CW
Energy Used	47.5W		
Rated Life	30,000 Hours		
Input Voltage	100-240V AC		
Power Factor (PF)	0.98 at 120V AC, 0.93 at 240V AC		
CCT (color)	3000K	4000K	5000K
Luminous Flux	5150 lm	5500 lm	5600 lm
System Efficacy	108 lm/W	116 lm/W	118 lm/W
CRI (Minimum)	80	80	80
Beam Angle	70° with lampshade		
Dimension	Φ 305 x 300mm		
IP Rating	IP65		
Operation Temperature	-20°C ~ +40°C		
Bundled Driver	GP-HS60P-42CA2 (Driver Output : Constant Current 1.2A, 4 28~42V)		
Net Weight	2.2kg (with driver & lampshade)		
Package	4 Boxes / Carton		



Frosted Cover  
(With Lampshade)



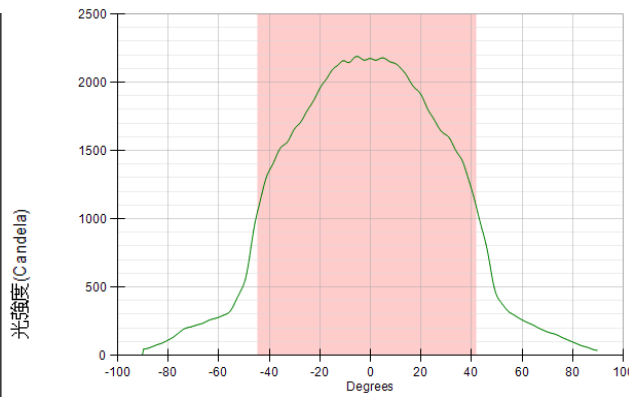
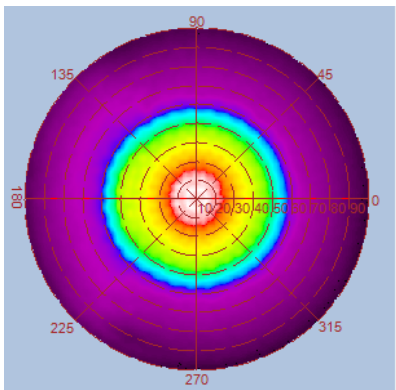
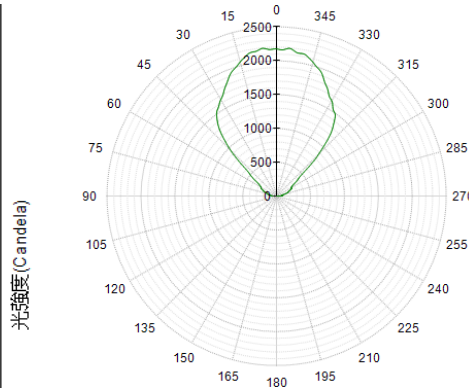
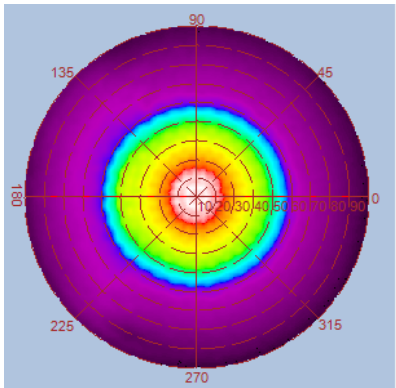
Frosted Cover  
(Without Lampshade)



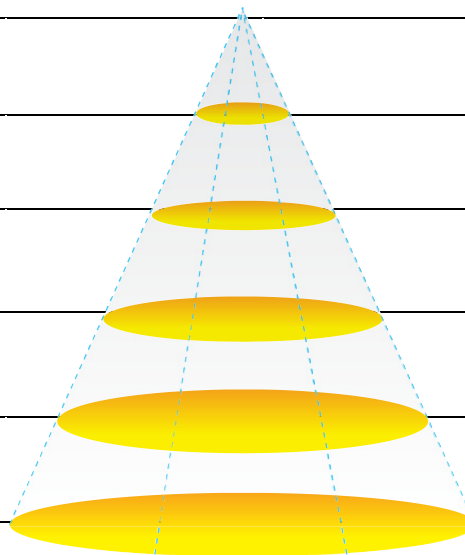
Glass Lens  
(With Lampshade)

## Luminous Intensity Distribution Diagram

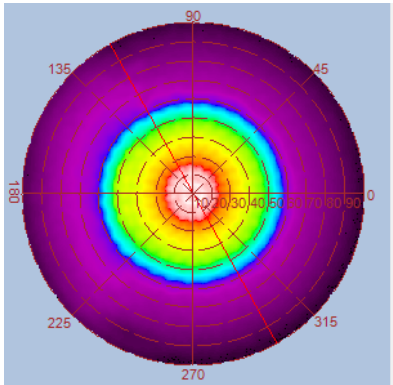
**GL-BL50-WW-90D / CCT : 3000K (Frosted cover/with lampshade)**



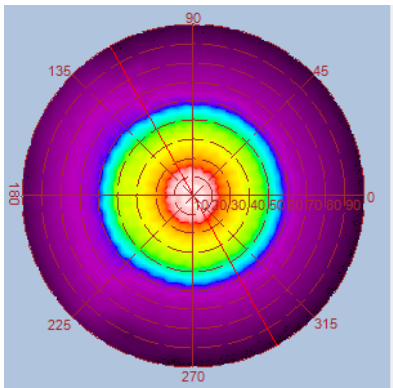
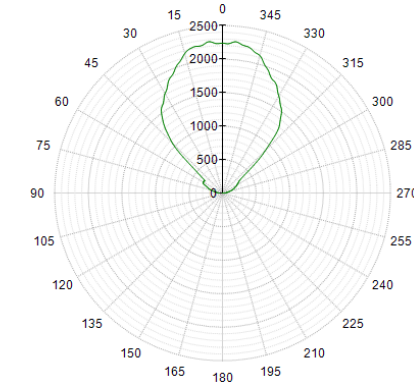
Height	E Avg.	E Max.	Diameter
1.0M	1521 Lx	2971 Lx	196 cm
2.0M	349 Lx	617 Lx	393 cm
3.0M	151 Lx	261 Lx	589 cm
4.0M	84 Lx	143 Lx	786 cm
5.0M	53 Lx	90 Lx	982 cm



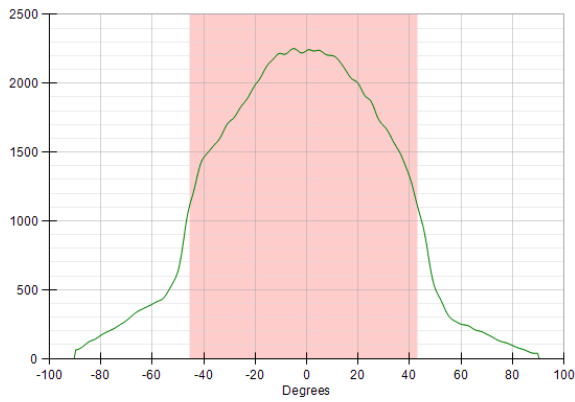
**GL-BL50-NW-90D / CCT : 4000K (Frosted cover/with lampshade)**



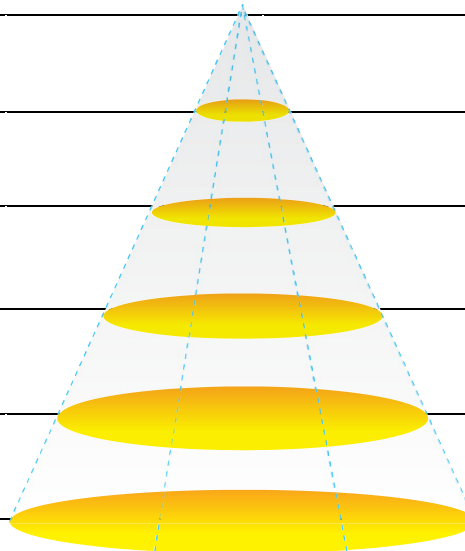
光強度(Candela)



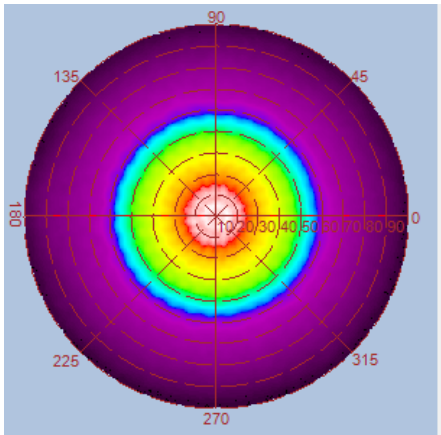
光強度(Candela)



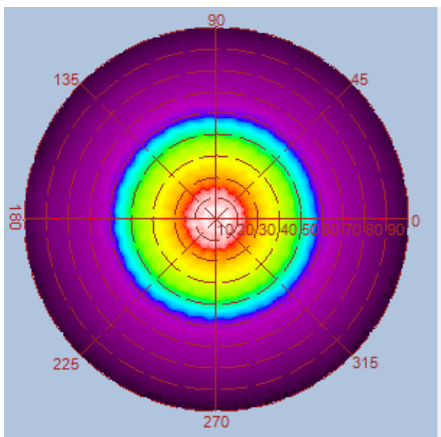
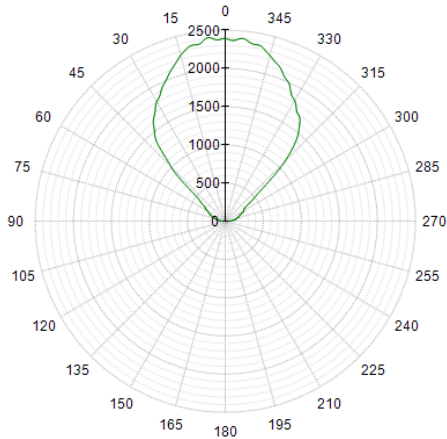
Height	E Avg.	E Max.	Diameter
1.0M	1579 Lx	3108 Lx	196 cm
2.0M	362 Lx	640 Lx	393 cm
3.0M	157 Lx	272 Lx	589 cm
4.0M	87 Lx	148 Lx	786 cm
5.0M	55 Lx	94 Lx	982 cm



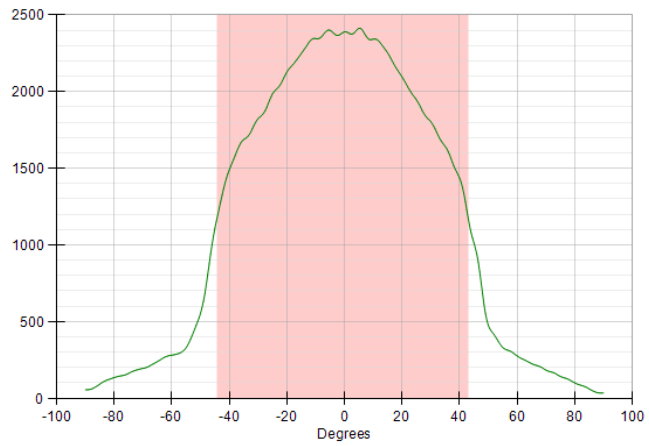
**GL-BL50-CW-90D / CCT : 5000K (Frosted cover/with lampshade)**



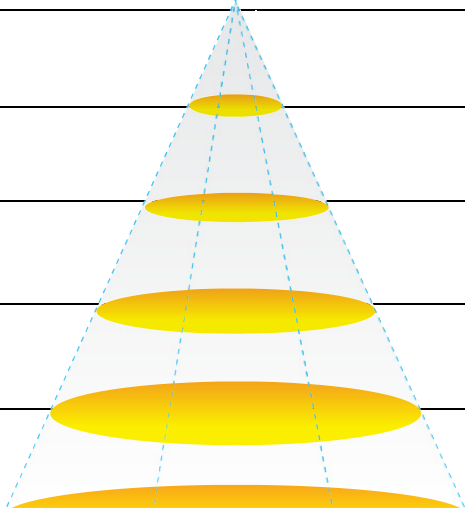
光強度(Candela)



光強度(Candela)



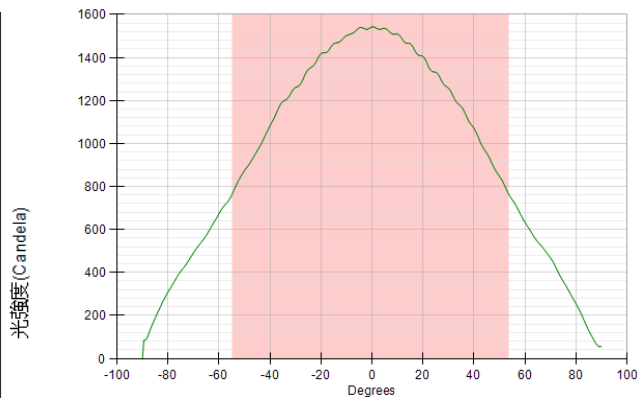
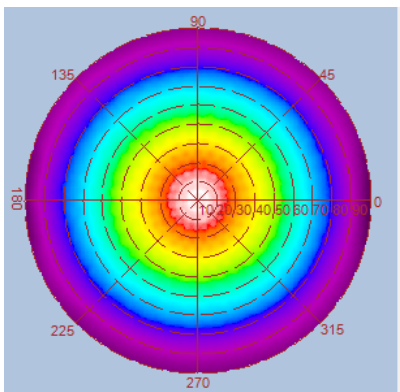
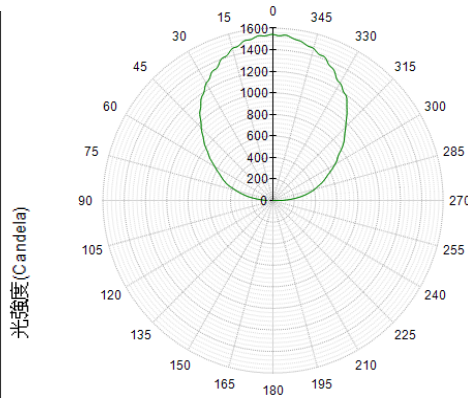
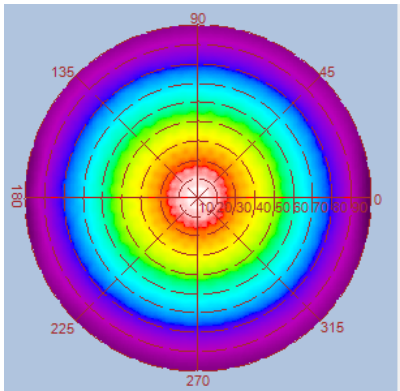
Height	E Avg.	E Max.	Diameter
1.0M	1687 Lx	3252 Lx	191 cm
2.0M	387 Lx	676 Lx	382 cm
3.0M	168 Lx	288 Lx	574 cm
4.0M	93 Lx	157 Lx	765 cm
5.0M	59 Lx	100 Lx	957 cm



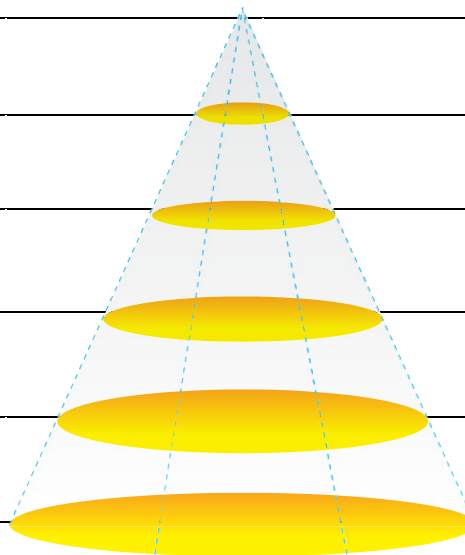


## Luminous Intensity Distribution Diagram

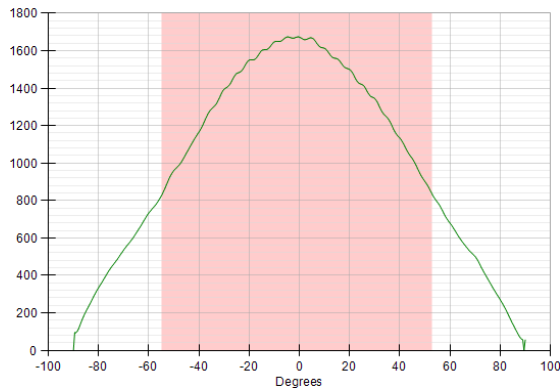
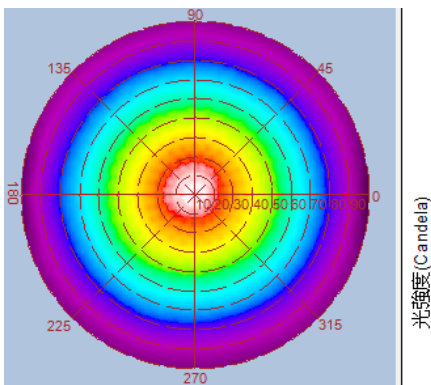
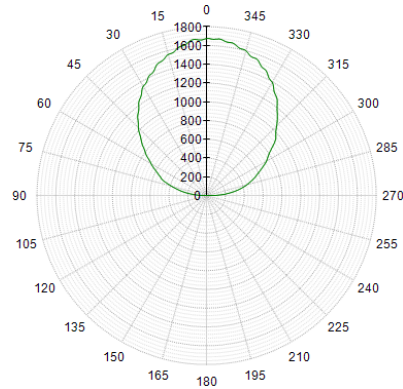
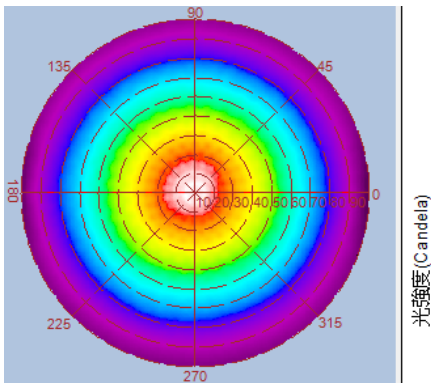
GL-BL50-WW-110D / CCT : 3000K (Frosted Cover / Without Lampshade)



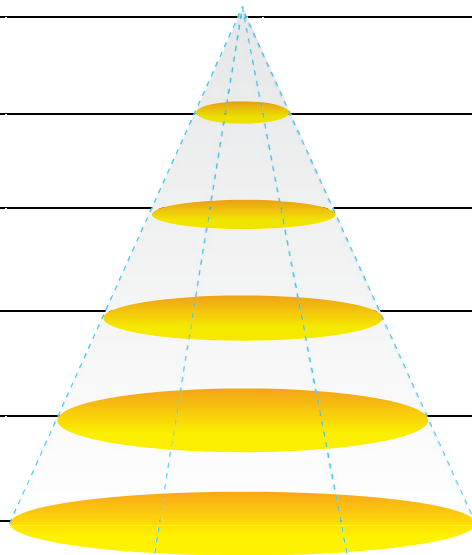
Height	E Avg.	E Max.	Diameter
1.0M	791 Lx	1679 Lx	277 cm
2.0M	191 Lx	396 Lx	555 cm
3.0M	84 Lx	174 Lx	833 cm
4.0M	47 Lx	97 Lx	1111 cm
5.0M	30 Lx	61 Lx	1389 cm



**GL-BL50-NW-110D / CCT : 4000K (Frosted Cover / Without Lampshade)**

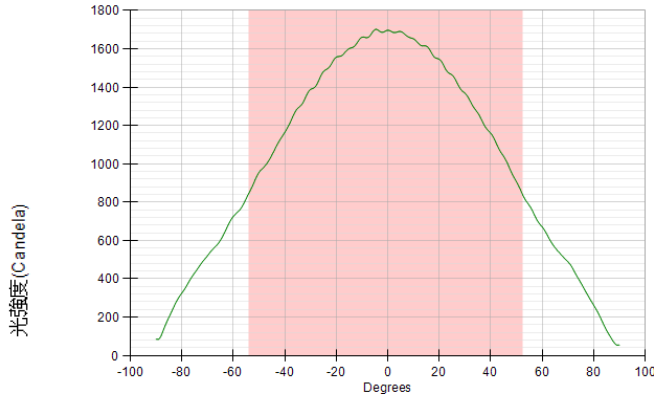
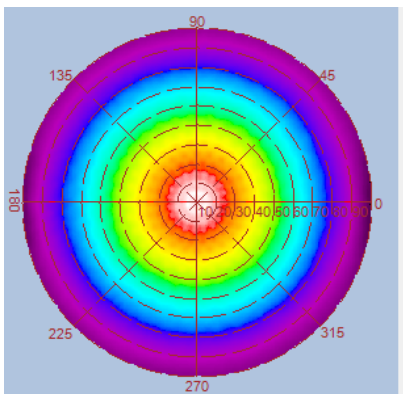
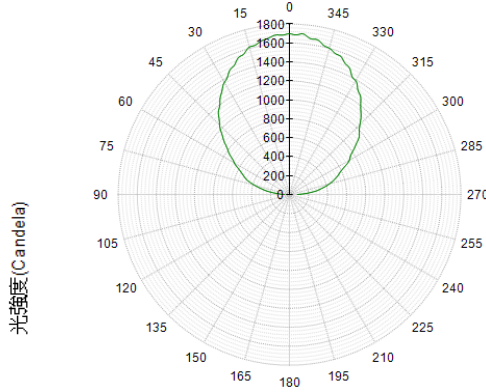
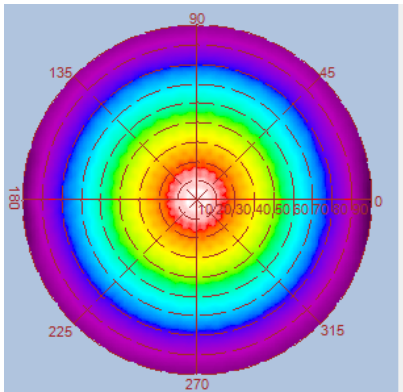


Height	E Avg.	E Max.	Diameter
1.0M	861 Lx	1823 Lx	275 cm
2.0M	208 Lx	434 Lx	550 cm
3.0M	91 Lx	187 Lx	825 cm
4.0M	51 Lx	104 Lx	1101 cm
5.0M	33 Lx	67 Lx	1376 cm

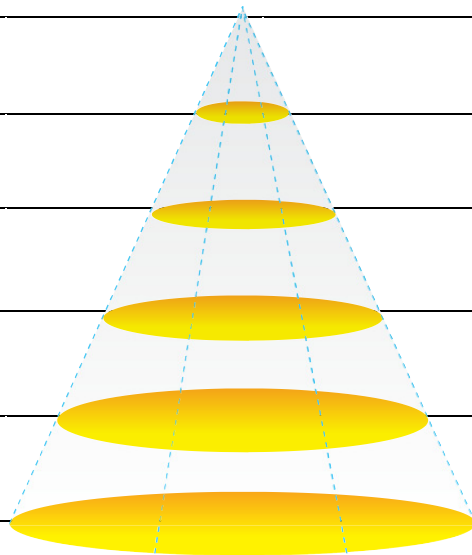




**GL-BL50-CW-110D / CCT : 5000K (Frosted Cover / Without Lampshade)**

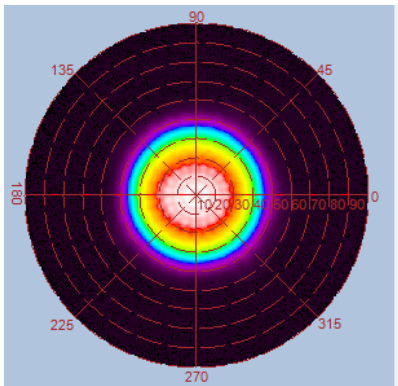


Height	E Avg.	E Max.	Diameter
1.0M	893 Lx	1866 Lx	267 cm
2.0M	215 Lx	435 Lx	535 cm
3.0M	95 Lx	190 Lx	803 cm
4.0M	53 Lx	106 Lx	1071 cm
5.0M	34 Lx	68 Lx	1339 cm

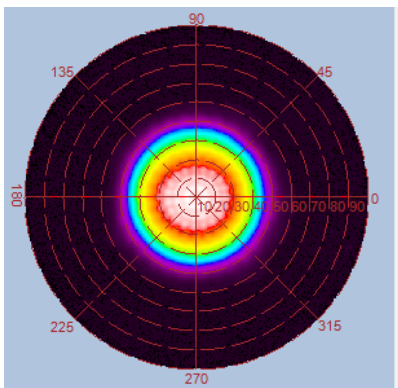
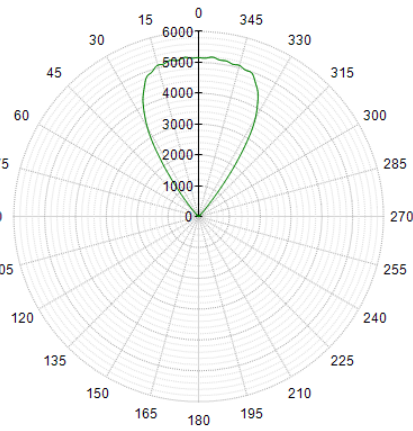


## Luminous Intensity Distribution Diagram

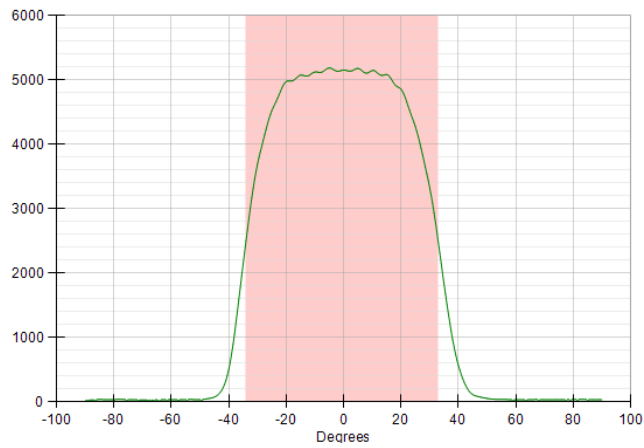
GL-BL50-WW-70D / CCT : 3000K (Glass Lens / With Lampshade)



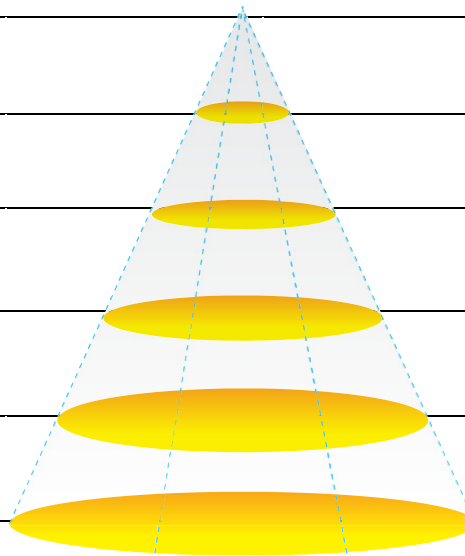
光強度(Candela)



光強度(Candela)

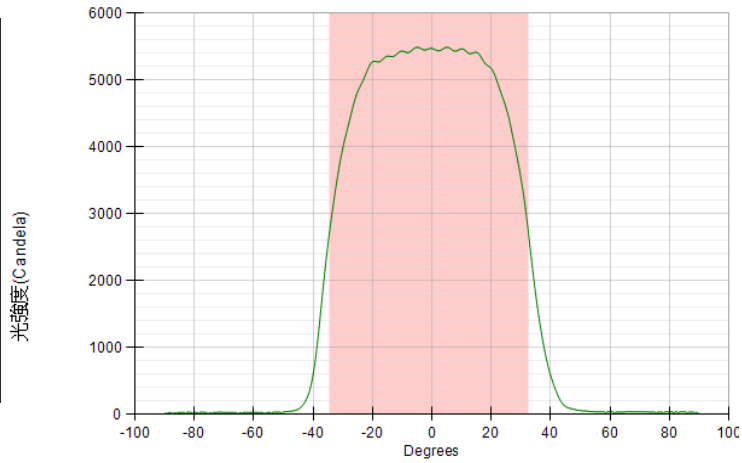
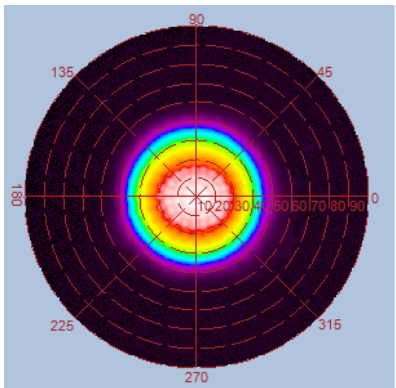
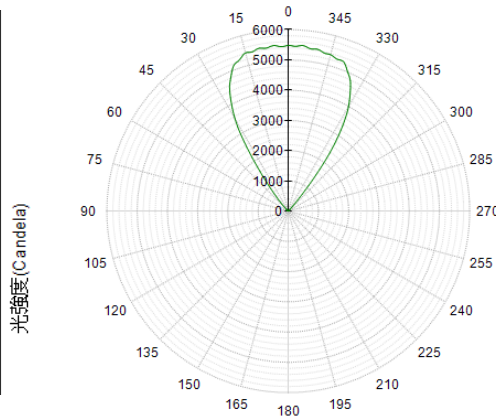
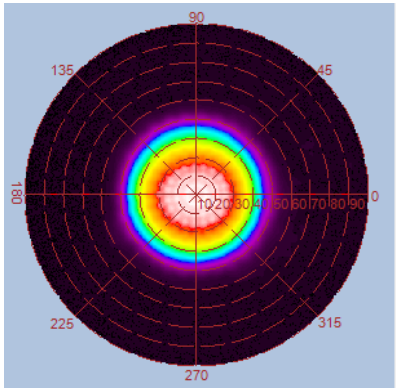


Height	E Avg.	E Max.	Diameter
1.0M	4155 Lx	5846 Lx	132 cm
2.0M	1002 Lx	1354 Lx	264 cm
3.0M	439 Lx	588 Lx	397 cm
4.0M	246 Lx	328 Lx	529 cm
5.0M	157 Lx	207 Lx	661 cm

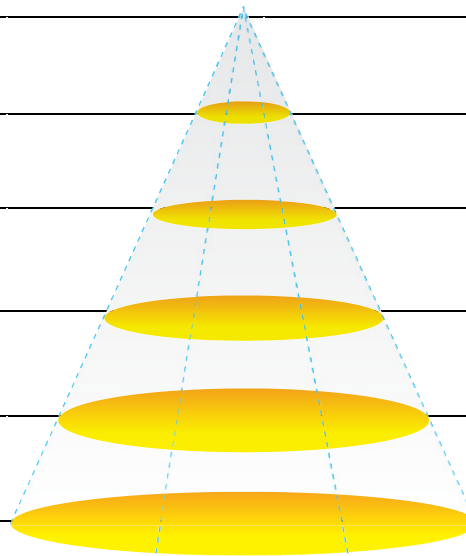


## Luminous Intensity Distribution Diagram

GL-BL50-NW-70D / CCT : 4000K (Glass Lens / With Lampshade)

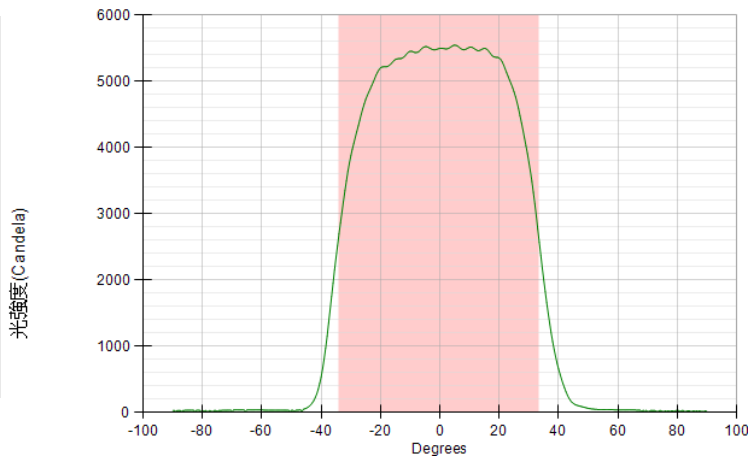
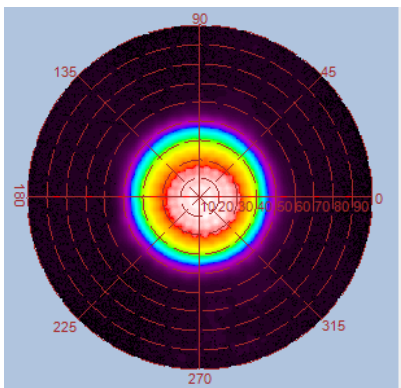
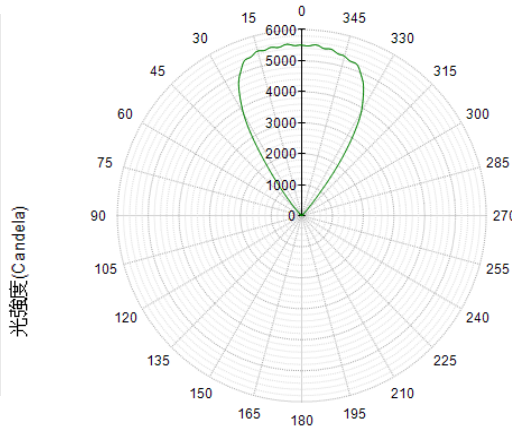
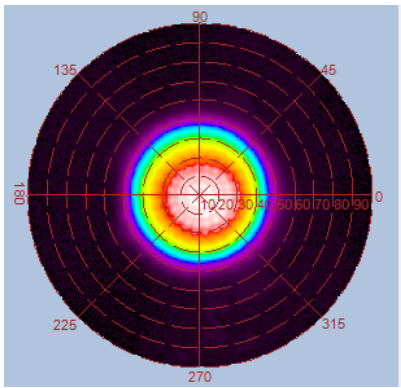


Height	E Avg.	E Max.	Diameter
1.0M	4434 Lx	6222 Lx	132 cm
2.0M	1065 Lx	1436 Lx	264 cm
3.0M	468 Lx	626 Lx	397 cm
4.0M	261 Lx	348 Lx	529 cm
5.0M	167 Lx	222 Lx	661 cm

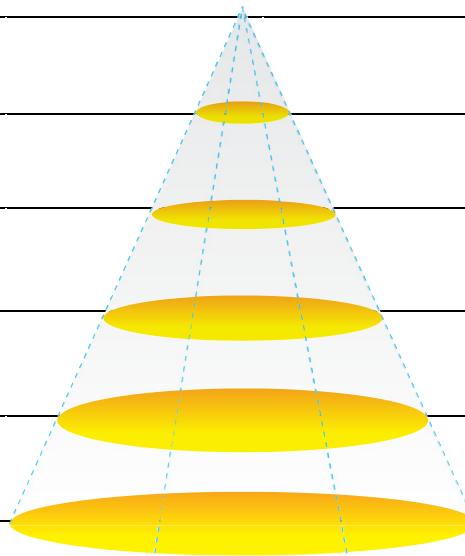


## Luminous Intensity Distribution Diagram

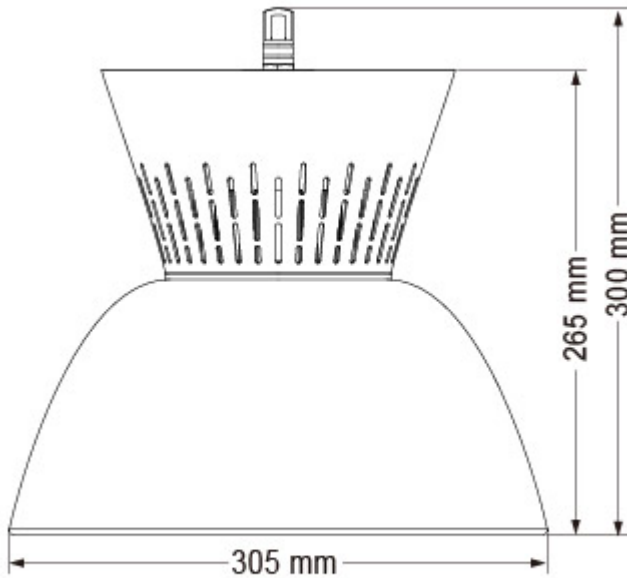
GL-BL50-CW-70D / CCT : 5000K (Glass Lens / With Lampshade)



Height	E Avg.	E Max.	Diameter
1.0M	4426 Lx	6194 Lx	133 cm
2.0M	1067 Lx	1460 Lx	267 cm
3.0M	469 Lx	632 Lx	400 cm
4.0M	262 Lx	350 Lx	534 cm
5.0M	167 Lx	223 Lx	668 cm

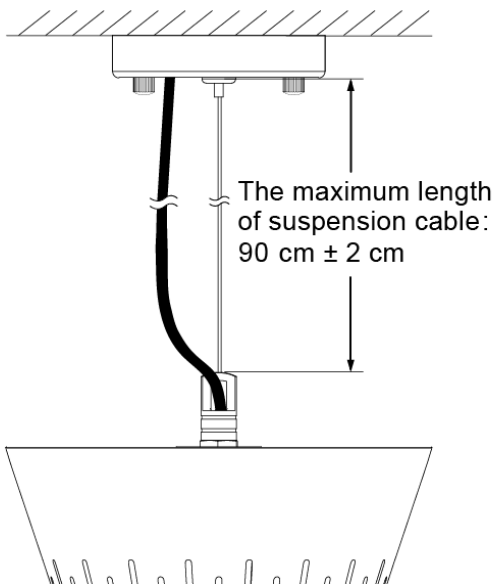


## Outline / Dimension

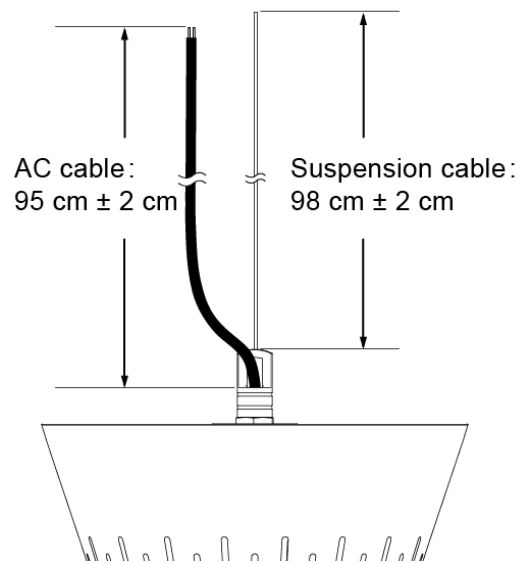


※ UNIT:mm    ※ Philips Lumileds LED

### Suggestion installation length:



### The cable actual length:



**Photograph**



**Package**

