



## Canopus Series GL-BR30 Series

### Features

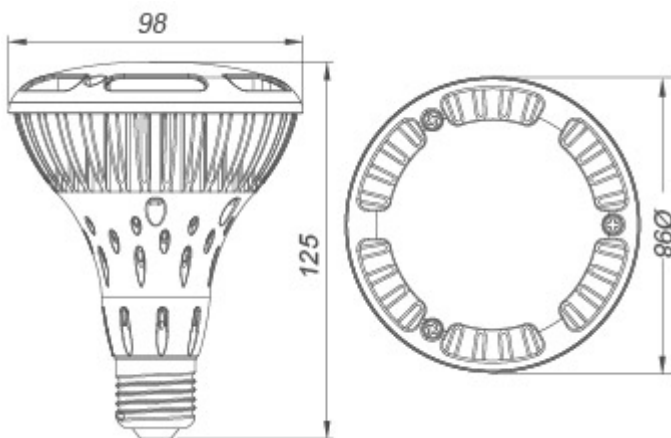
- For indoor use only
- Direct replacement for traditional halogen bulbs or CFLs
- Power factor > 0.9 at 115V AC; power factor > 0.8 at 230V AC
- High power efficiency > 80%
- High luminous efficacy LEDs
- No UV or IR radiation
- Compliance with safety standards: EN60968, EN61347-1+EN61347-2-13, EN55015+EN61000-3-2 class C, EN60825-1, FCC Part 18, UL1993
- Cool light, which can reduce the rise of the ambient temperature.
- Energy saving and environment friendly



## Specifications

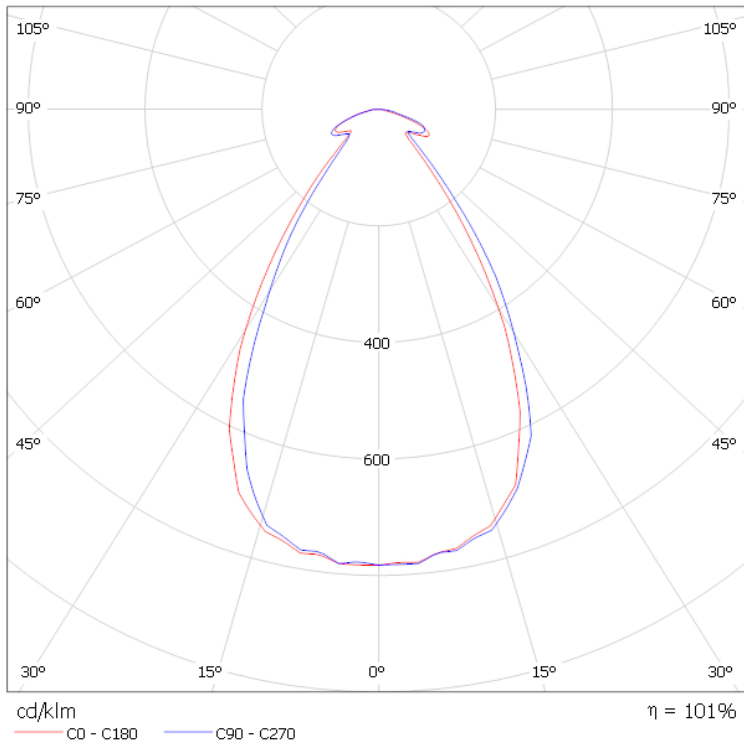
Model No.	GL-BR30-9WW	GL-BR30-9CW
CCT (Color)	3000K	6000K
Typical Power Consumption	10.4 W	
Luminous Flux	515 lm	616 lm
Input Voltage	100 - 240V AC	
Socket Base	E26 / E27	
Operation Temperature	-20 °C — +40 °C	
System Efficacy	43 lm/W	58 lm/W
CRI	80	75
Beam Angle	30 ° / 60 ° / 120° (Optional)	
Outline Dim.	Φ 98 *125 mm	
Net. Weight	250g	
Package	24 Boxes / Carton	
Box Dimension/ Weight	116*115*156mm / 0.35 KG	

## Outline / Dimension



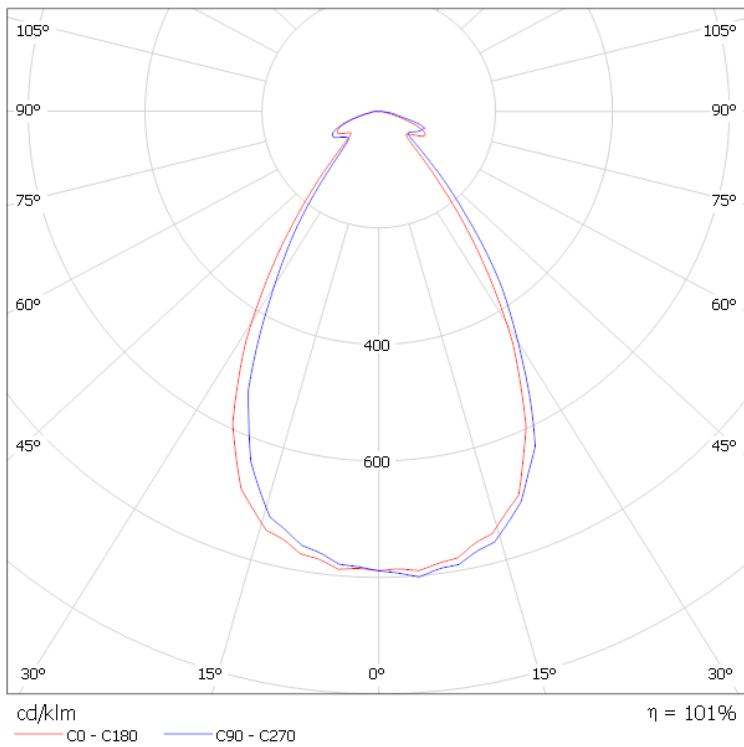
### Luminous Intensity Distribution Diagram

**BR30-CW-60D/ CCT: 6000K**



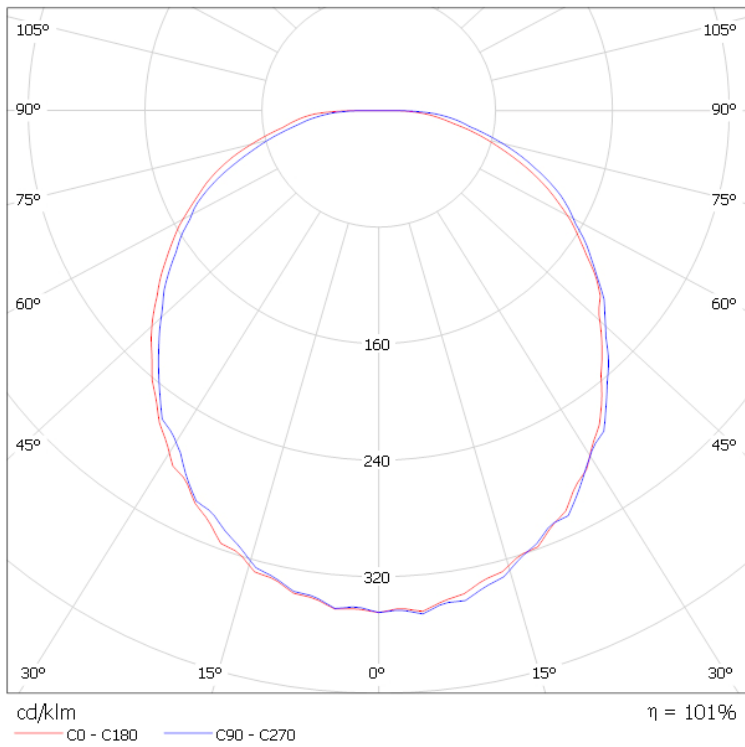
### Luminous Intensity Distribution Diagram

**BR30-WW-60D/ CCT: 3000K**



### Luminous Intensity Distribution Diagram

**BR30-CW-120D/ CCT: 6000K**



### Luminous Intensity Distribution Diagram

**BR30-WW-120D/ CCT: 3000K**

