

1 2 3 4 5 6

REVISION			
MARK	DESCRIPTION	DATE	APPROVED
△	NEW	2017/03/10	Ryan
△			

A

A

B

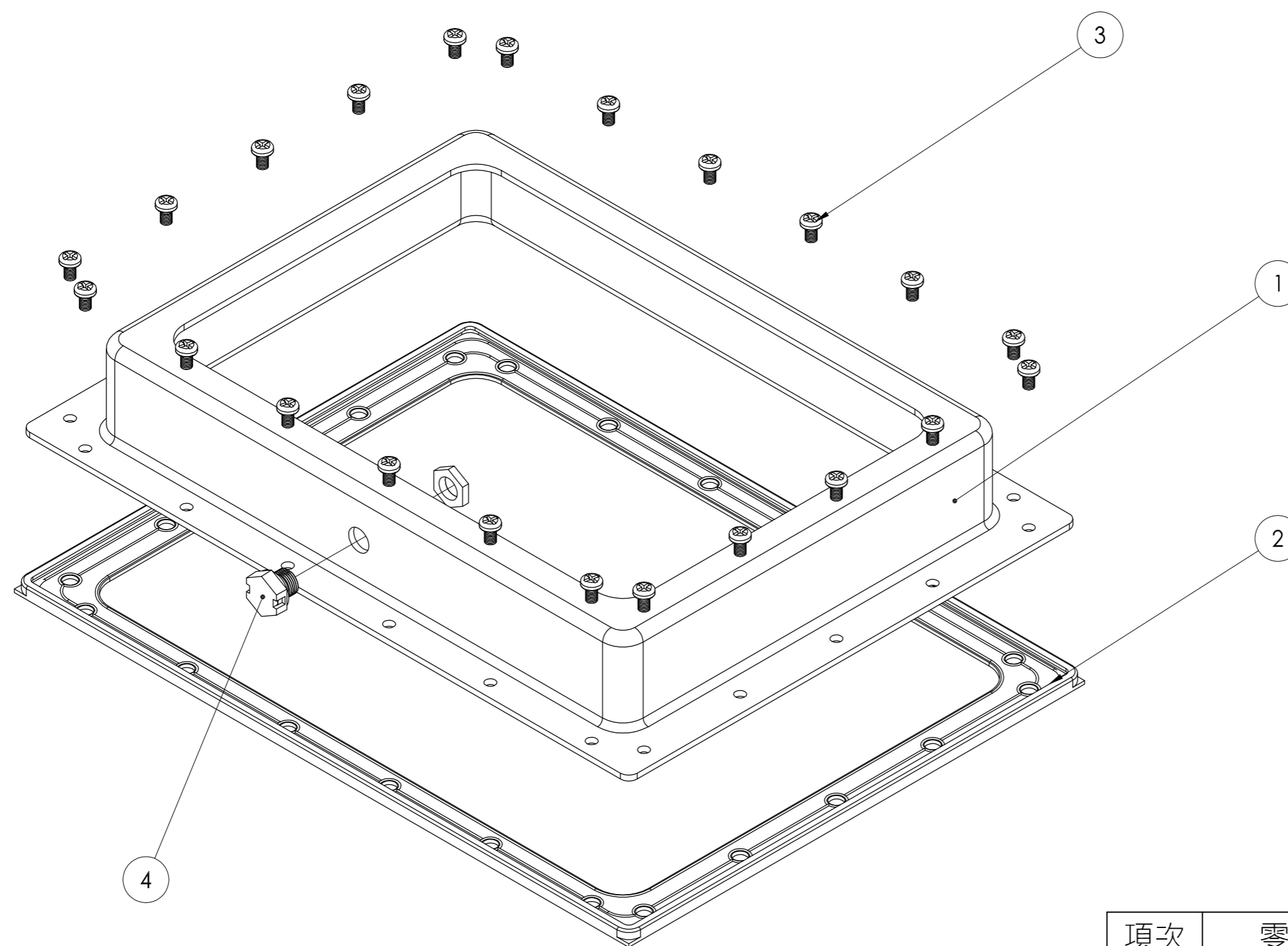
B

C

C

D

D



項次	零件名稱	描述	數量
1	玻璃罩	405×343×100×t2.5mm/SUS201	1
2	防水膠圈	150×25×30×t2.5mm/SUS201	1
3	M5 螺絲	390×50×t2.5mm/SUS201	22
4	透氣閥	P5×L16 三組合螺絲/SUS304	1

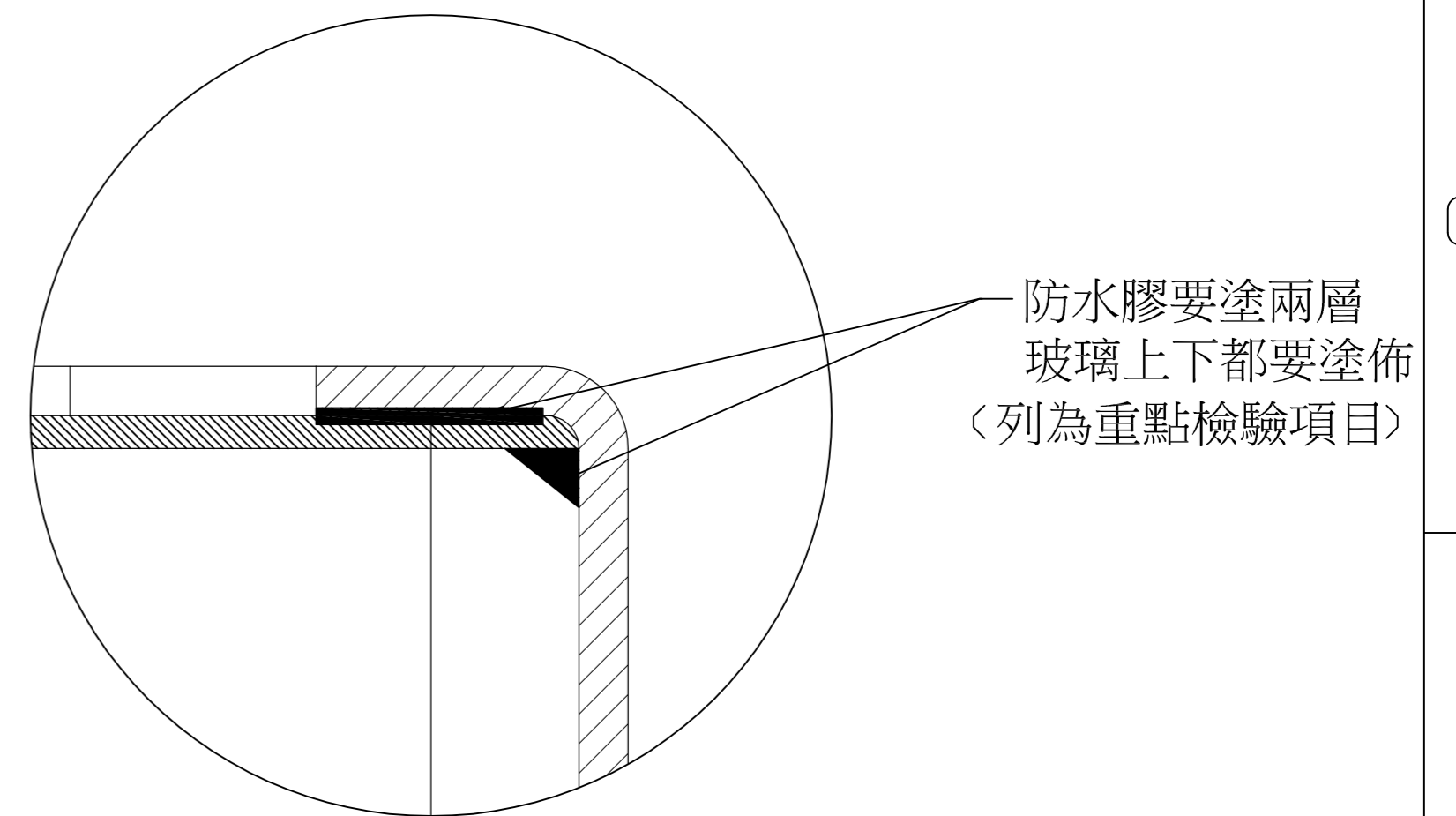
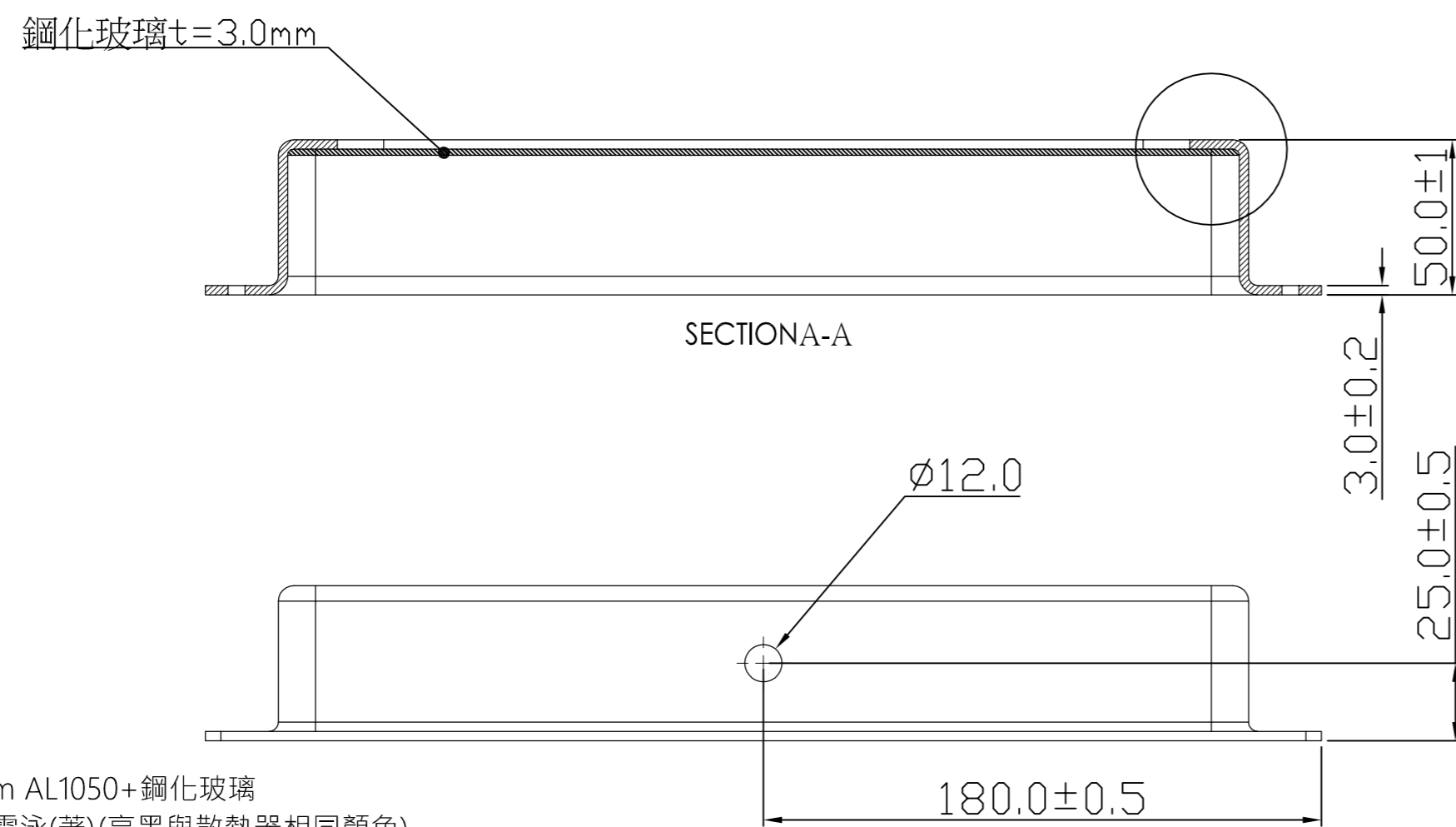
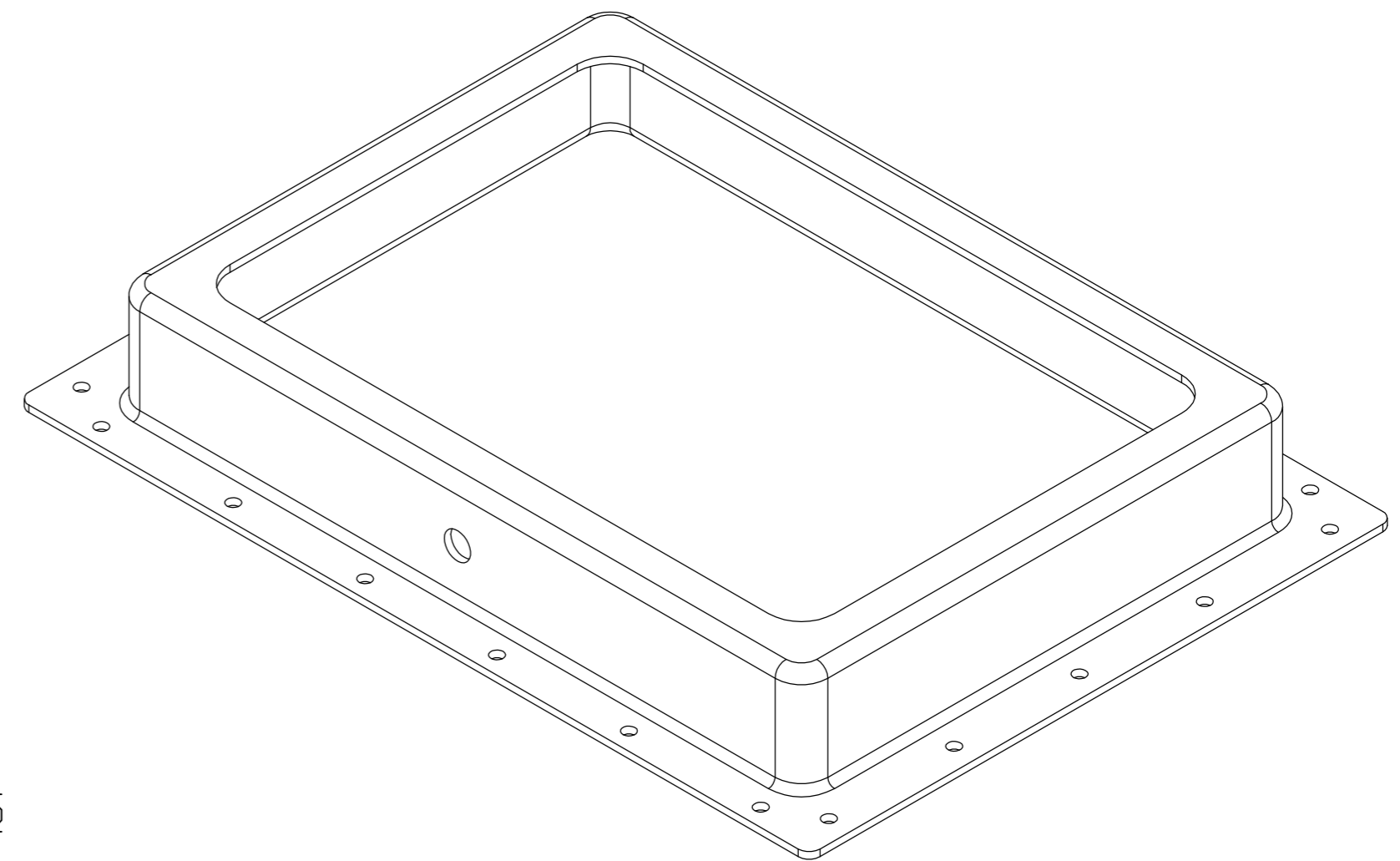
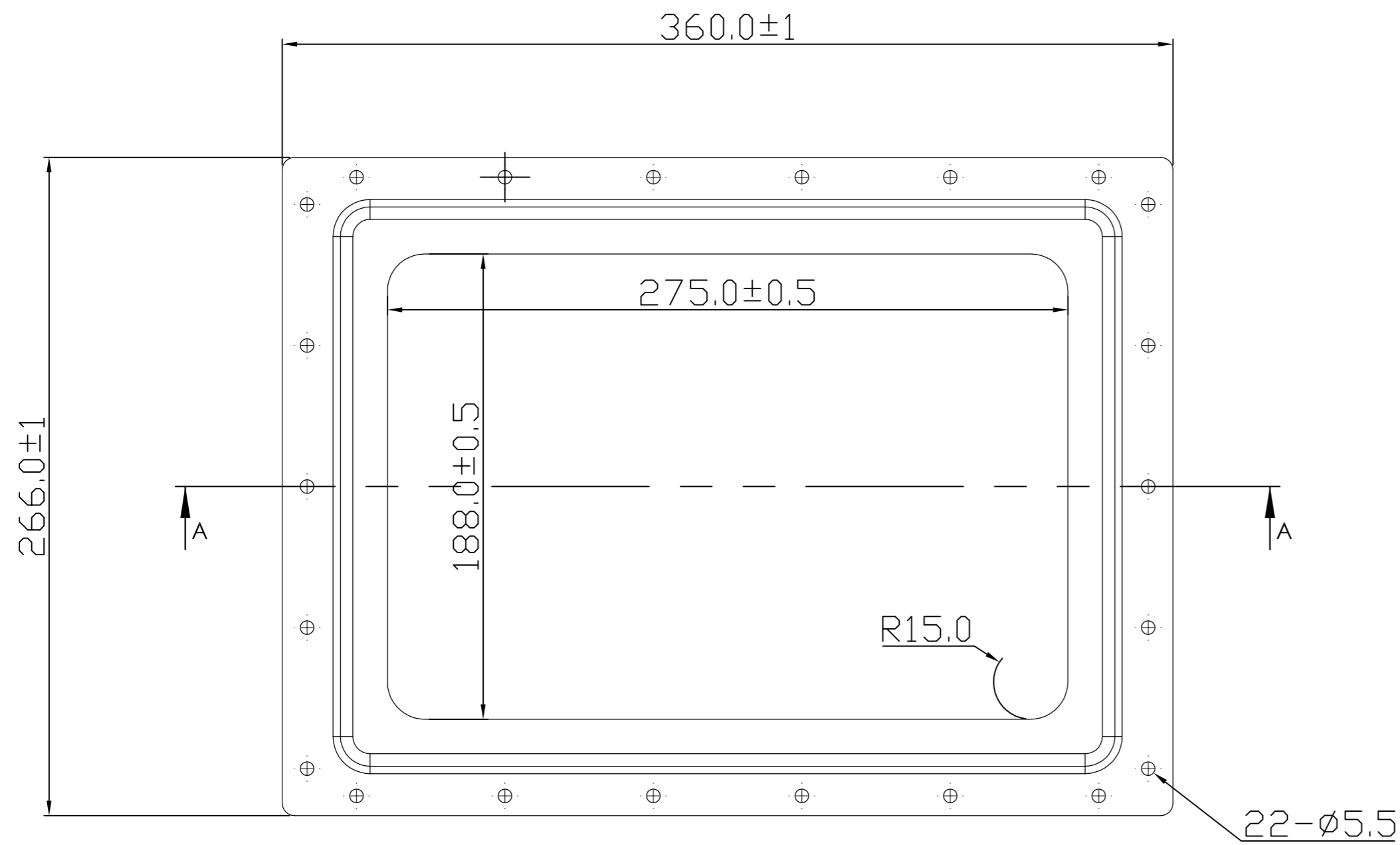
NOTES:

- 1.洋鑫料號：CT-SS400000AK1001
- 2.材料板厚=3.0mm, AL1050 /螺絲SUS304/
- 3.表面處理：支架-->黑色電泳(著), 螺絲-->不鏽鋼本色,
- 4.表面不可有毛邊,刮傷,髒污,異色之現象
- 5.表面不可有明顯歪斜變形之現象
- 6.所有材料及表面處理須符合環保RoHS標準

1 2 3 4 5 6

		如圖所示	UNSPECIFIED TOL: IS X, XX ±0.10 XX, XX ±0.20 XXX, XX ±0.25 ANGULAR ±1.00°	WHI NO: CT-SS400000AK1001
APPROVED BY		mm	DRAWING NO: SS400 玻璃罩組合圖	
CHECKED BY			REV: A	
DESIGN BY		1:1	SHEET: 1/1	
DRAWN BY	Mingta	2015/11/13	RF03-27	

REVISION			
MARK	DESCRIPTION	DATE	APPROVED
△	NEW	2017/03/10	Ryan
△			



- NOTES:
- 1.材料板厚=3.0mm AL1050+鋼化玻璃
  - 2.表面處理：黑色電泳(著)(亮黑與散熱器相同顏色)
  - 3.表面不可有毛邊,刮傷,髒污,異色之現象
  - 4.表面不可有明顯歪斜變形之現象
  - 5.防水膠塗佈需經過防水測試
  - 6.所有材料及表面處理須符合環保RoHS標準

<b>GlacialTech INC</b>		REV. SPEC. AL 1050	T=3.0	UNSPECIFIED TOL: S X.XX ±0.10 XX.XX ±0.20 XXX.XX ±0.25 ANGULAR ±1.00°	REV. NO. CT-SS400000AK1001
APPROVED BY		UNIT	mm	DRAWING TITLE	SS400 玻璃罩(玻璃鋁框)
CHECKED BY		SCALE	1:2	DRAWING NO.	RF03-27
DESIGN BY		SIZE	A2	REV	A
DRAWN BY	Ryan	DATE	2017/03/10	SHEET	2/4

REVISION			
MARK	DESCRIPTION	DATE	APPROVED
△	NEW	2017/03/10	Ryan
△			

A

B

C

D

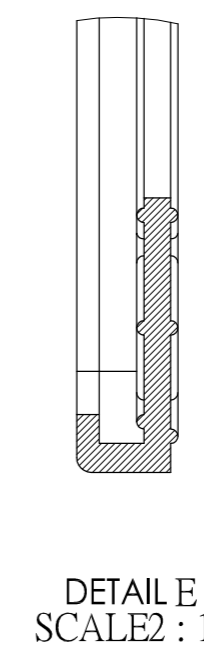
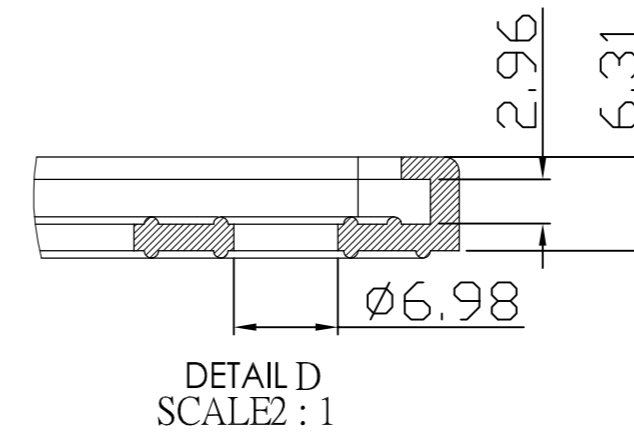
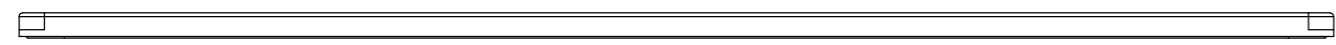
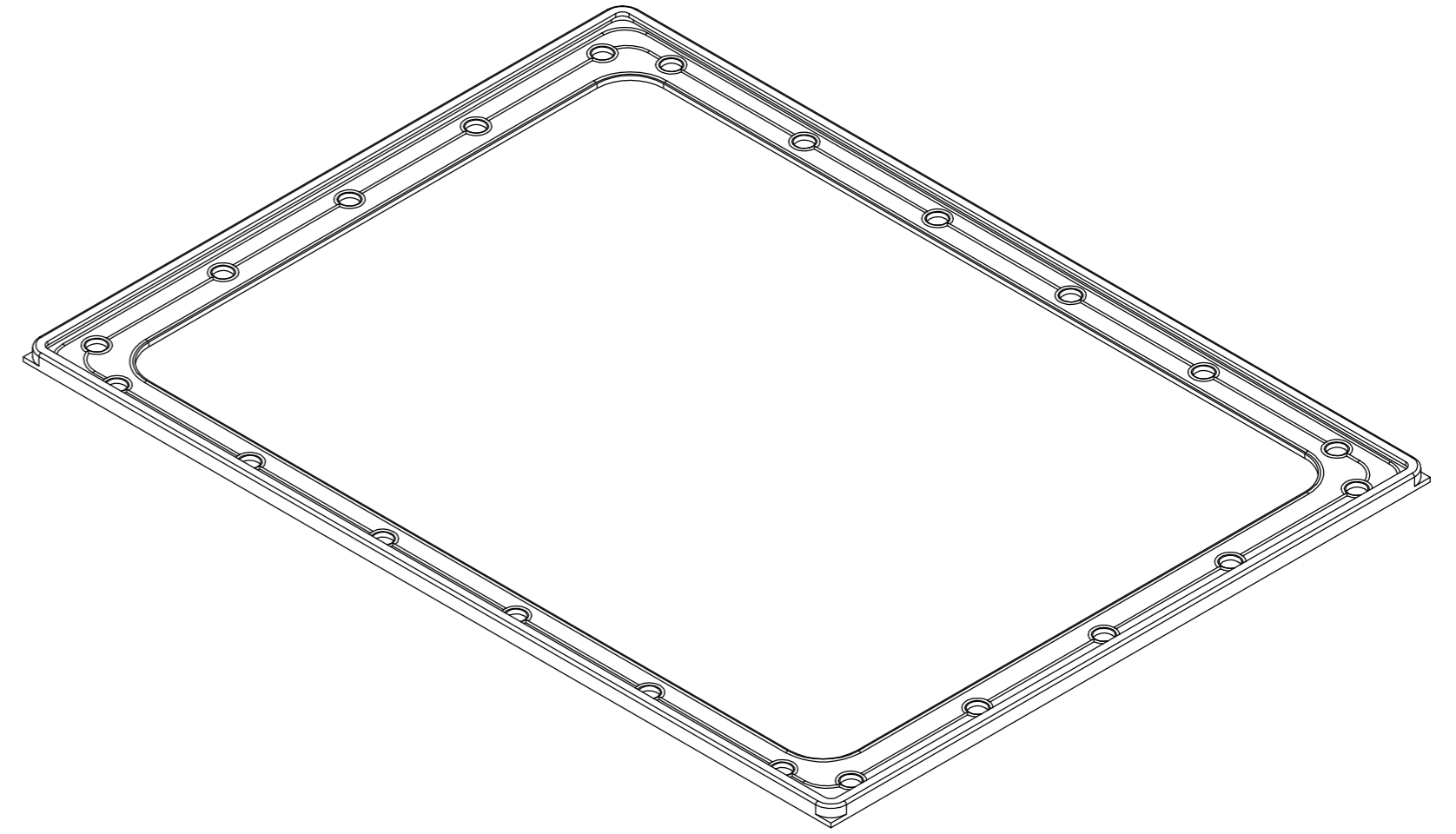
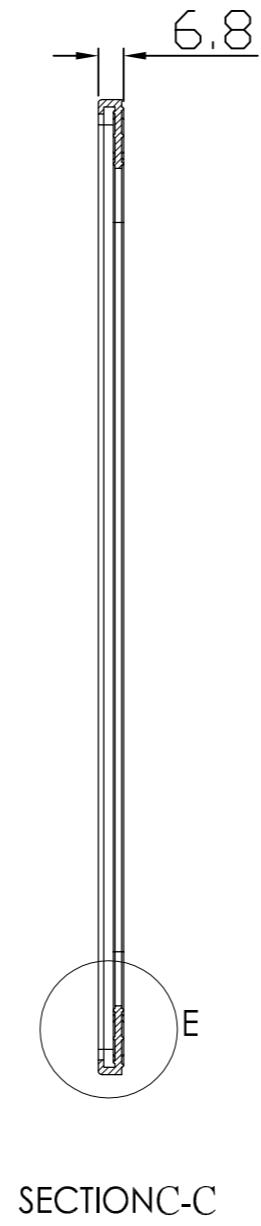
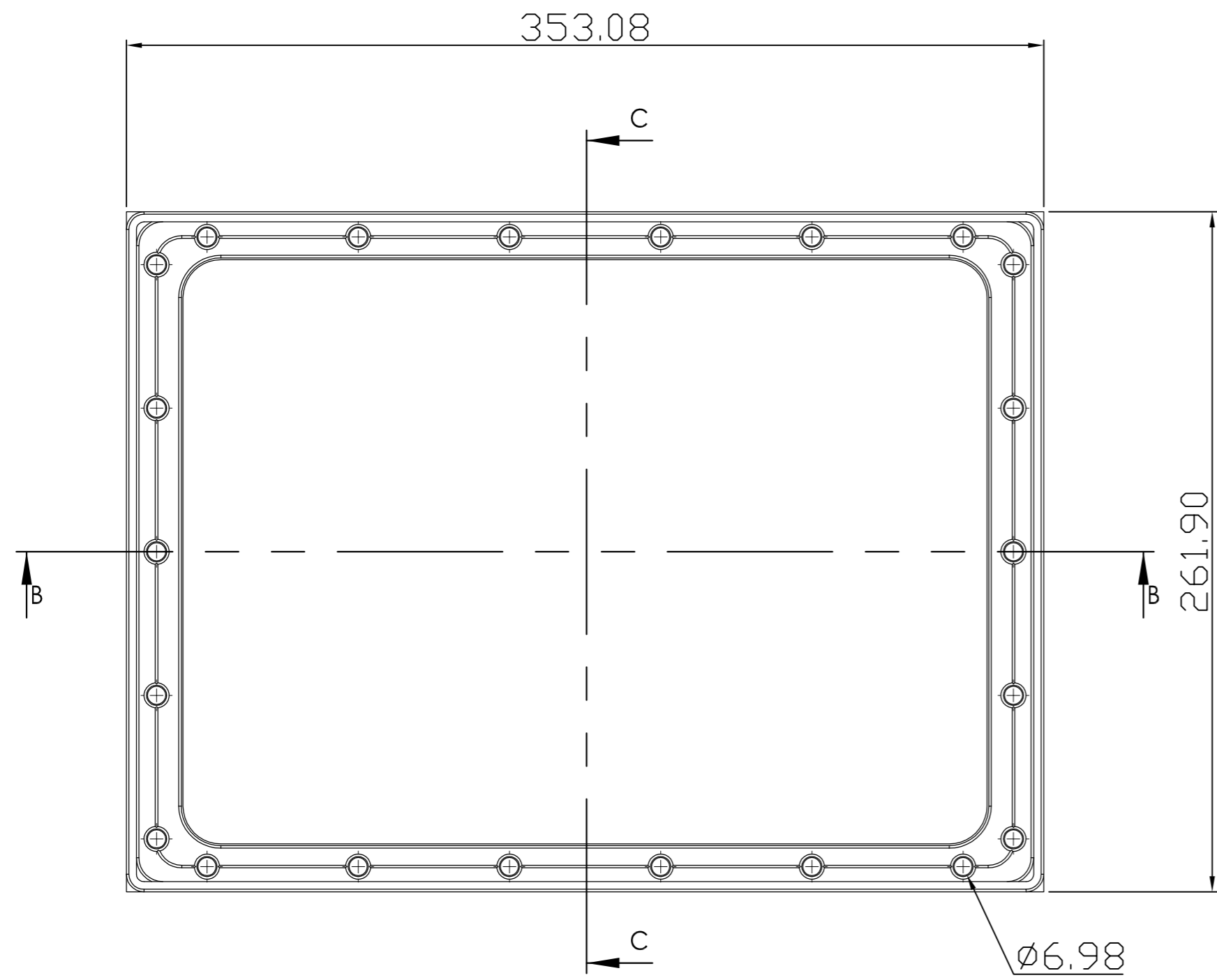
A

B

C

D

1 2 3 4 5 6



## NOTES:

- 1.材質：耐溫120度硅膠(黑色, 硬度50)
- 2.表面不可有毛邊, 破裂, 髒污, 異色之現象
- 3.所有材料及表面處理須符合環保RoHS標準

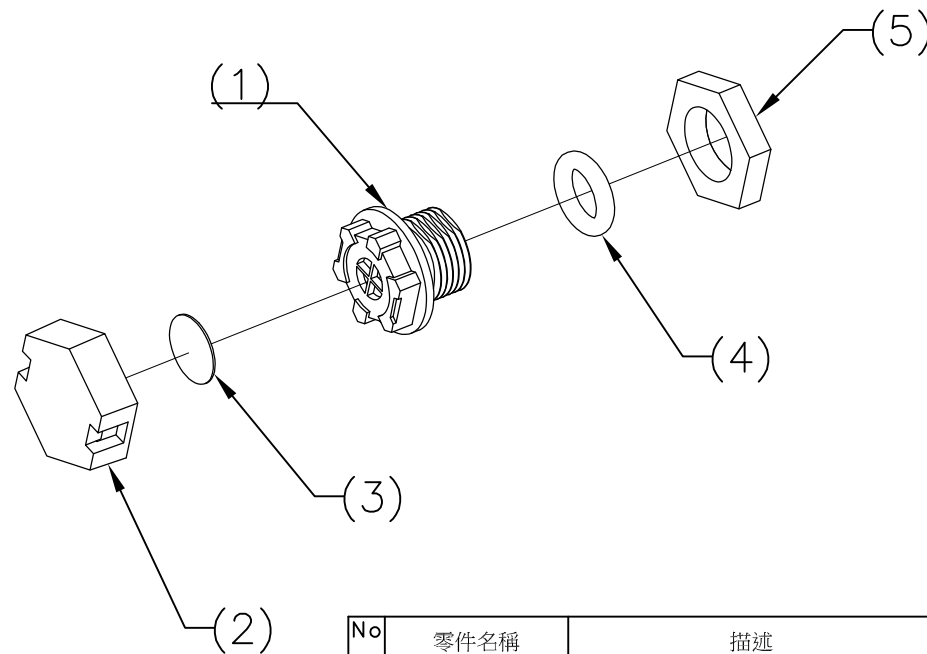
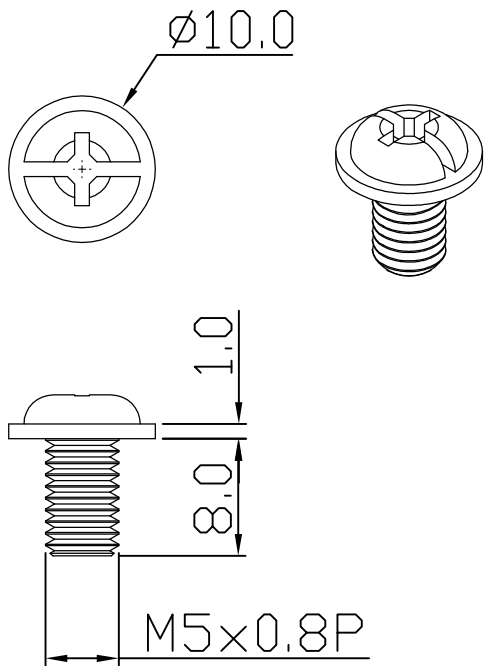
		耐高溫硅膠(黑色)	UNSPECIFIED TOL: % X.XX ±0.10 XX.XX ±0.20 XXX.XX ±0.25 ANGULAR ±1.00°	WHI NO: CT-SS40000AK1001
APPROVED BY		mm	DRIVING SIDE	SS400 玻璃罩(防水膠圈)
CHECKED BY		SCALE	1:2	DRIVING WL
DESIGN BY	Ryan	DATE	2017/03/10	RF03-27
		SIZE	A2	REV
				A
				SHEET
				3/4

1 2 3 4 5 6

REVISION			
MARK	DESCRIPTION	DATE	APPROVED
△	NEW	2017/03/10	Ryan
△			

零件3. M5×8螺絲帶墊/SUS304/本色

零件4. 防水透氣閥/PC/黑色



No.	零件名稱	描述	Qt'y
1	透氣閥本體	∅18x13.6mm 黑色PC料	1
2	透氣閥上蓋	18.3x6.0mm 黑色PC料	1
3	透氣膜	∅10xH3.5mm 白色/IP66	1
4	防水膠圈	OD:12.5xID:7.0 耐溫矽膠	1
5	螺母	M12x3mm 薄螺母	1

		如圖標示 <small>UNSPECIFIED TOL'S X.XX ±0.10 XX.XX ±0.20 XXX.XX ±0.25 ANGULAR ±1.00°</small>	<small>MODEL NO:</small> <b>CT-SS400000AK1001</b>
<small>APPROVED BY</small> _____	<small>CHECKED BY</small> _____	<small>UNIT</small> <b>mm</b>	<small>DRAWING NAME</small> <b>SS400 玻璃罩(螺絲與透氣閥配件)</b>
<small>DESIGN BY</small> _____	<small>DRAWN BY</small> <b>Mingta</b>	<small>SCALE</small> <b>1:1</b>	<small>DRAWING NO.</small> <b>RF03-27</b>
<small>DATE</small> <b>2015/11/13</b>	<small>SIZE</small> <b>A4</b>	<small>REV</small> <b>A</b>	<small>SHEET</small> <b>4/4</b>