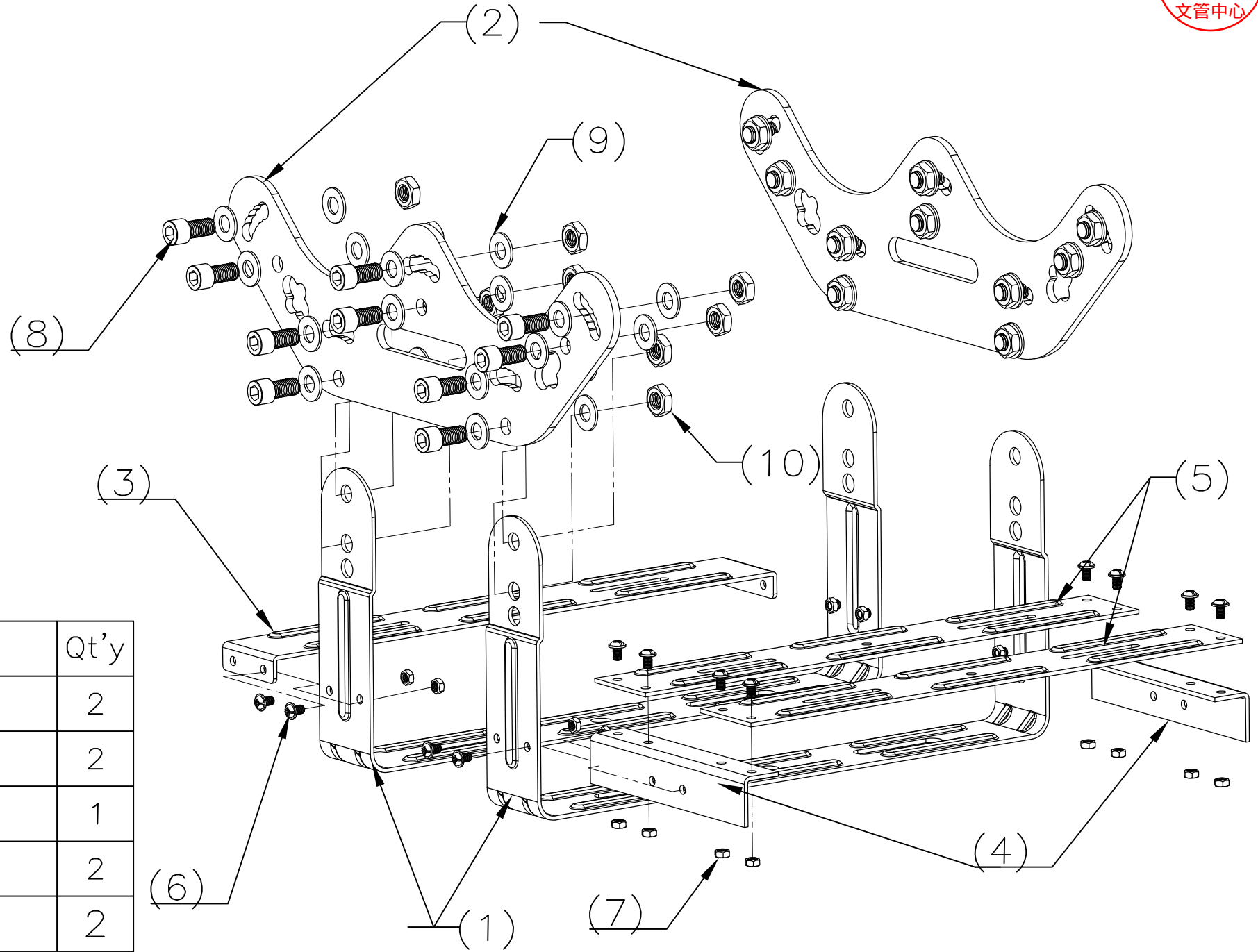
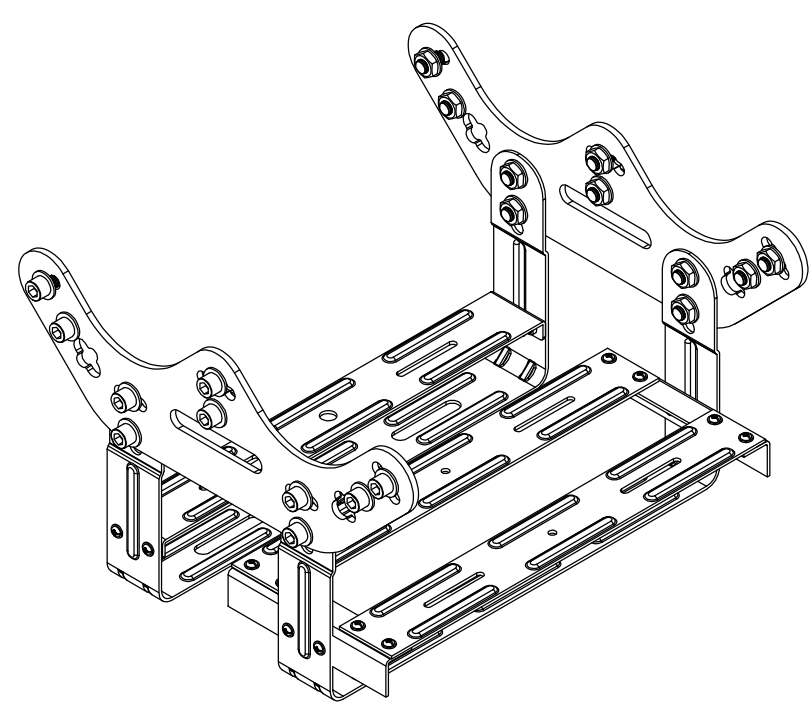


REV	DESCRIPTION	APPROVED	DATE
△	NEW		11/13/2015

批准
2015.11.13
文管中心



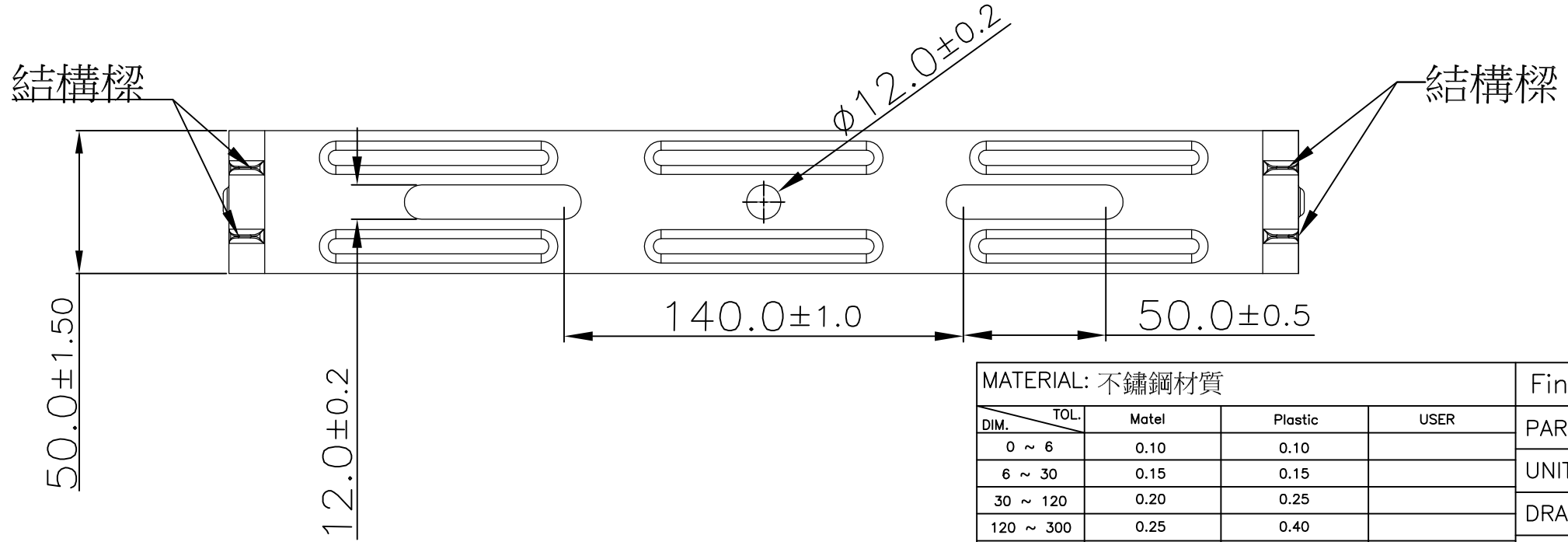
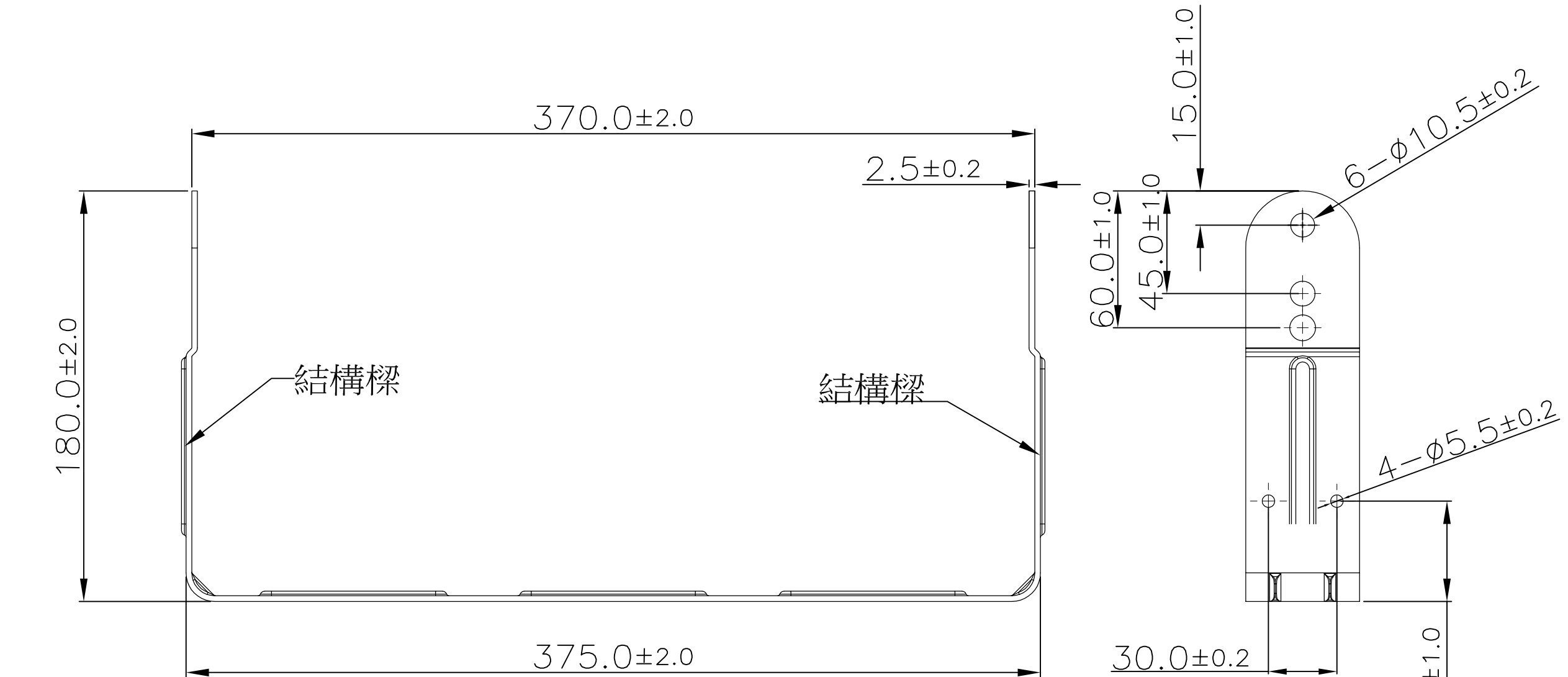
No.	零件名稱	描述	Qt'y
1	SS120支架2	一對二支架	2
2	W型支架	AL1050_W支架	2
3	U型支架	不鏽鋼_U支架	1
4	L型支架	不鏽鋼_L支架	2
5	I型支架	不鏽鋼_I支架	2
6	M5螺絲	M5x8 帶墊不鏽鋼螺絲	16
7	M5螺帽	M5不鏽鋼螺帽	16
8	M10螺絲	M10x20內六角不鏽鋼螺絲	20
9	M10平華司	M10不鏽鋼華司	40
10	M10螺帽	M10不鏽鋼螺帽	20

MATERIAL: 不鏽鋼材質			
DIM.	TOL.	Matel	Plastic
0 ~ 6		0.10	0.10
6 ~ 30		0.15	0.15
30 ~ 120		0.20	0.25
120 ~ 300		0.25	0.40
300 ~ 600		0.40	0.60
600 ~ 1200		0.70	0.80
MATERIAL		1'	


Finish 支架：電著
PART NO. CT-SS120000AB4001
UNIT: mm SCALE: 1/2
DRAWN: Ryan 11/13/2015
CHECKED: <i>Mingta</i>
APPROVED:

TITLE: GL-PROJECT SS120 Triple unit kit	
DWG NO. 00_RF03-05A	SIZE: A3
SHEET 1 OF 8	

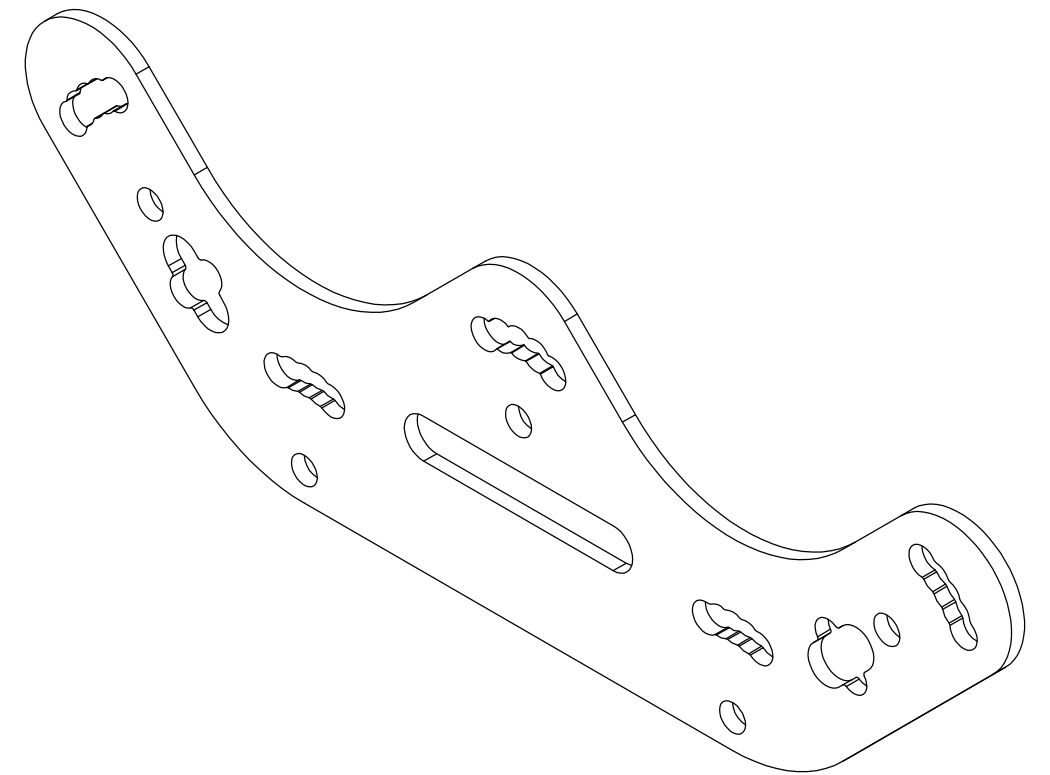
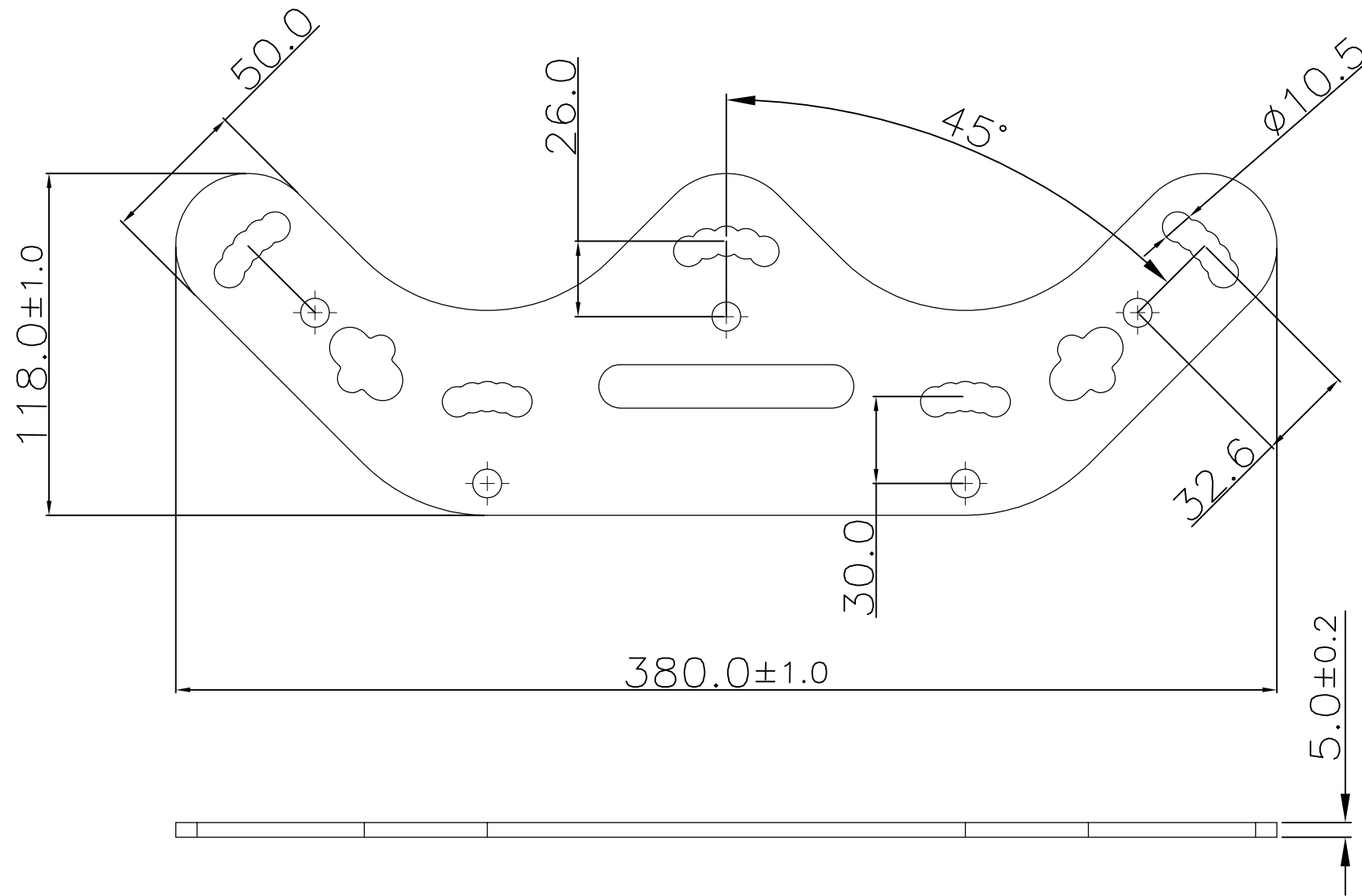
REV	DESCRIPTION	APPROVED	DATE
△	NEW		11/13/2015



材質：不鏽鋼電著
SS120 支架 2

MATERIAL: 不鏽鋼材質				Finish 支架：電著			
				PART NO. CT-SS120000AB4001			
DIM.	TOL.	Matel	Plastic	USER	UNIT:mm	SCALE: 1/2	TITLE: GL-PROJECT
0 ~ 6		0.10	0.10		DRAWN: Ryan	11/13/2015	SS120 Triple unit kit
6 ~ 30		0.15	0.15		CHECKED:		DWG NO. 00_RF03-05A
30 ~ 120		0.20	0.25		APPROVED:		SIZE: A3
120 ~ 300		0.25	0.40				SHEET 2 OF 7
300 ~ 600		0.40	0.60				
600 ~ 1200		0.70	0.80				
MATERIAL		1"					

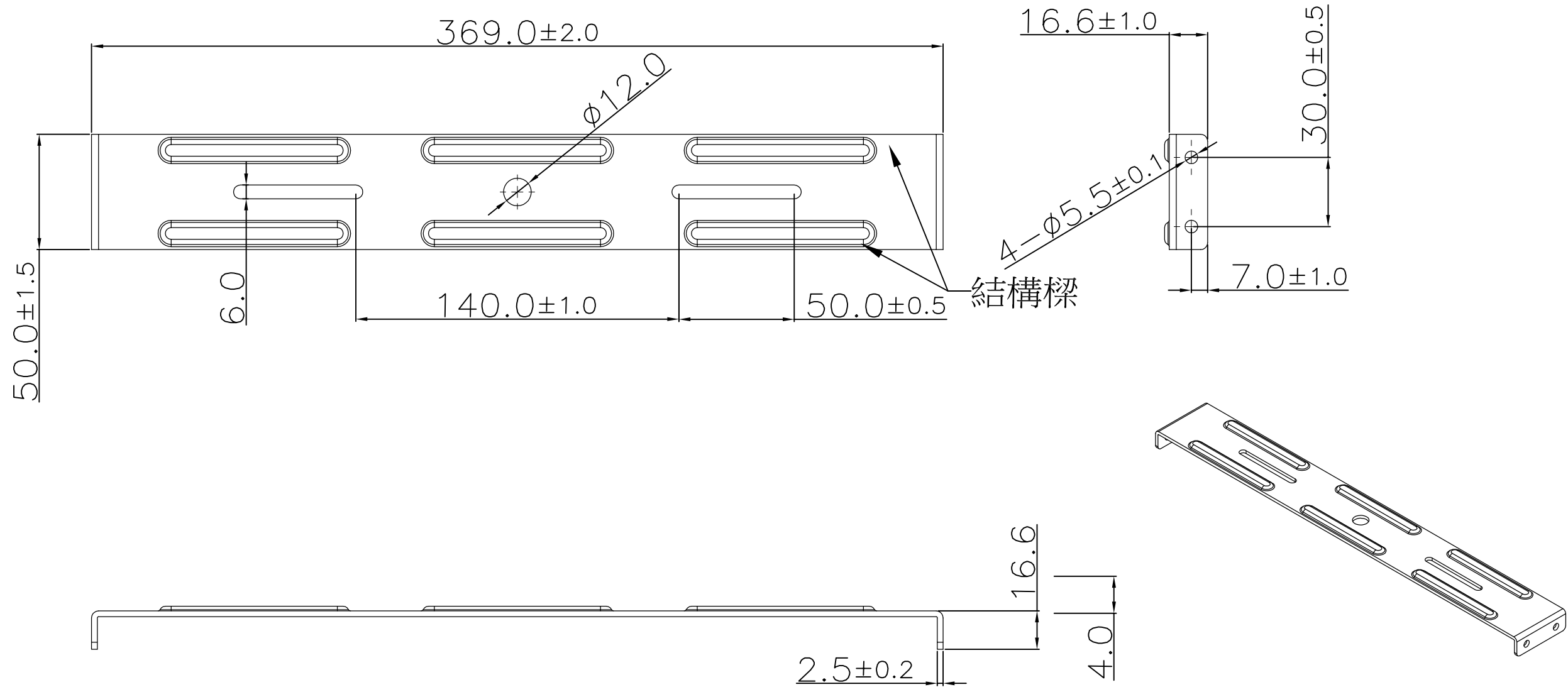
REV	DESCRIPTION	APPROVED	DATE
△A	NEW		11/13/2015



材質：AL1050 電著 W 型支架

MATERIAL: 不鏽鋼材質				Finish 支架：電著			
DIM.	TOL.	Matel	Plastic	USER	PART NO. CT-SS120000AB4001		
0 ~ 6		0.10	0.10		UNIT: mm	SCALE: 1/2	TITLE: GL-PROJECT SS120 Triple unit kit
6 ~ 30		0.15	0.15		DRAWN: Ryan	11/13/2015	
30 ~ 120		0.20	0.25		CHECKED:		DWG NO. 00_RF03-05A
120 ~ 300		0.25	0.40		APPROVED:		SIZE: A3
300 ~ 600		0.40	0.60				SHEET 3 OF 8
600 ~ 1200		0.70	0.80				
MATERIAL		1"					

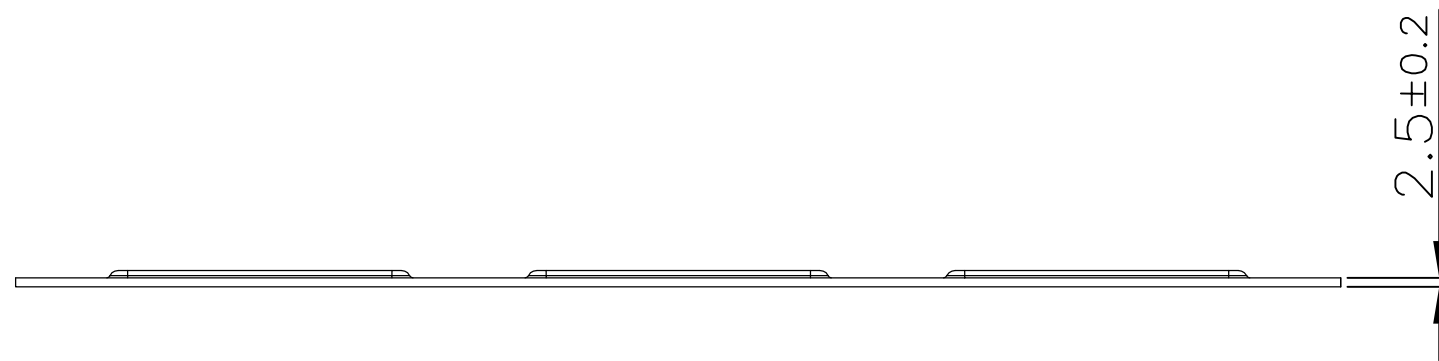
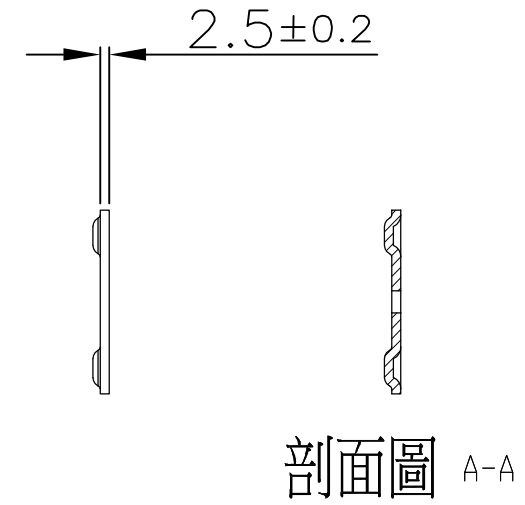
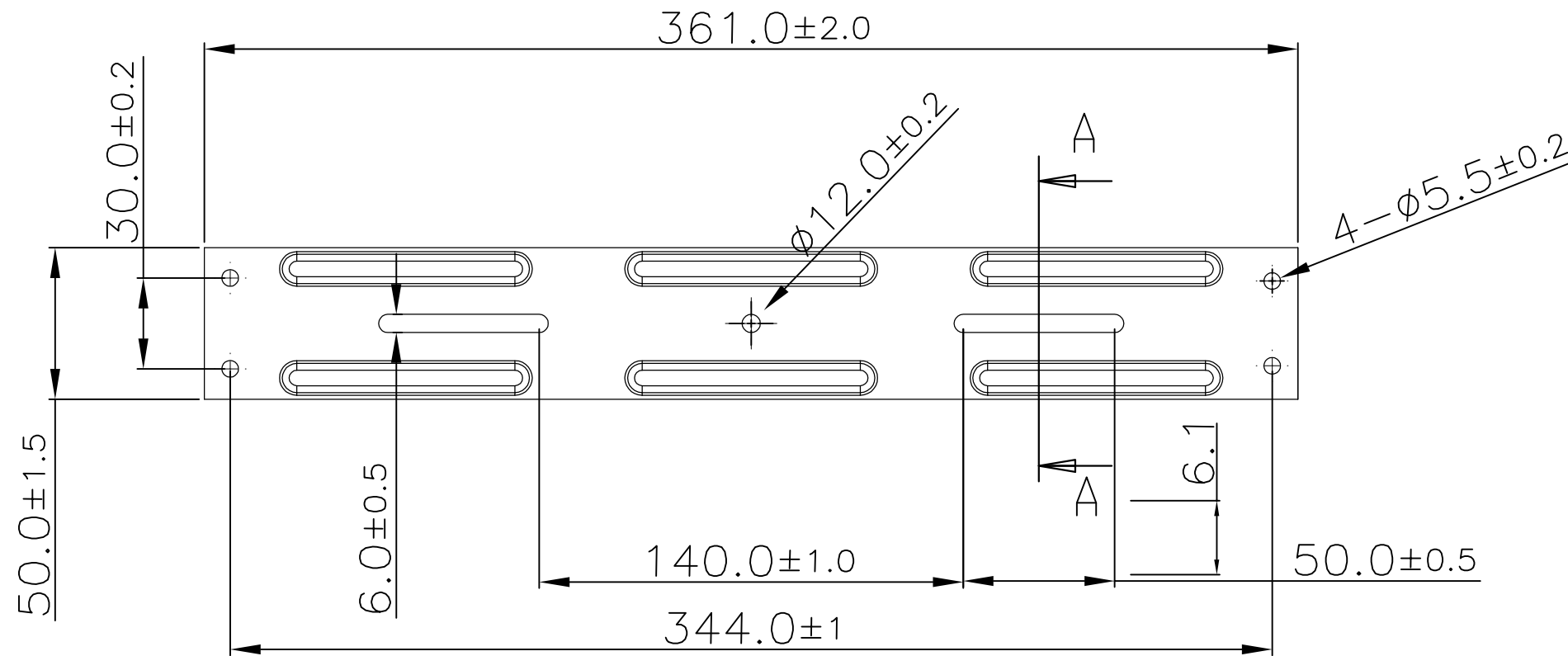
REV	DESCRIPTION	APPROVED	DATE
△	NEW		11/13/2015



材質：不鏽鋼電著
U型支架

MATERIAL: 不鏽鋼材質				Finish 支架：電著			
				PART NO. CT-SS120000AB4001			
DIM.	TOL.	Matel	Plastic	USER	UNIT:mm	SCALE: 1/2	TITLE: GL-PROJECT
0 ~ 6		0.10	0.10		DRAWN: Ryan 11/13/2015		SS120 Triple unit kit
6 ~ 30		0.15	0.15		CHECKED:		DWG NO. 00_RF03-05A
30 ~ 120		0.20	0.25		APPROVED:		SIZE: A3
120 ~ 300		0.25	0.40				SHEET 3 OF 5
300 ~ 600		0.40	0.60				
600 ~ 1200		0.70	0.80				
MATERIAL		1"					

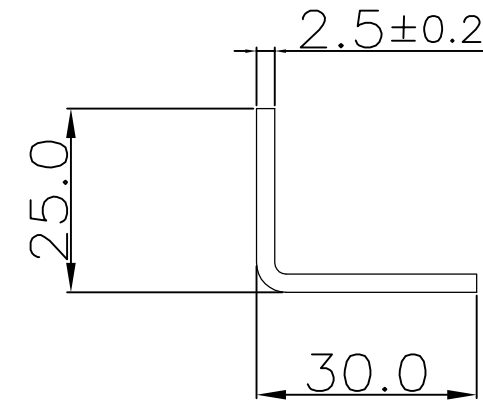
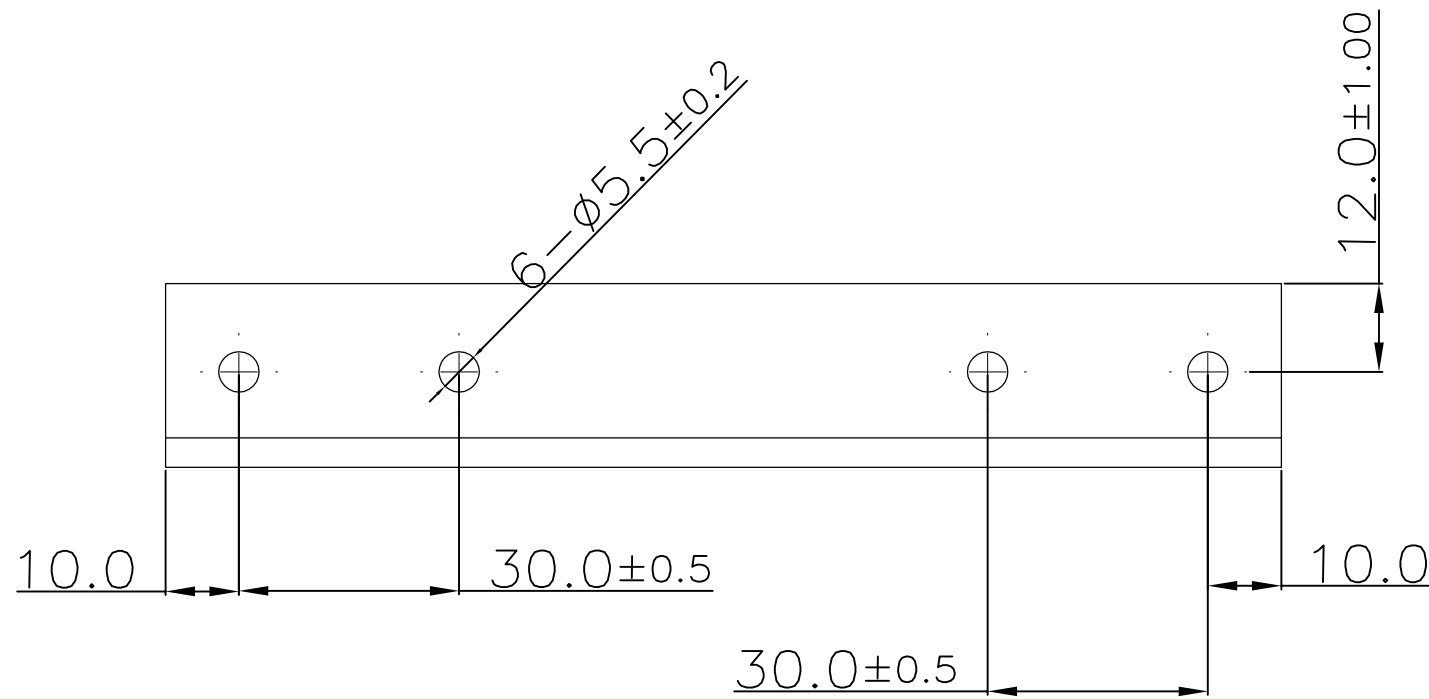
REV	DESCRIPTION	APPROVED	DATE
△A	NEW		11/13/2015



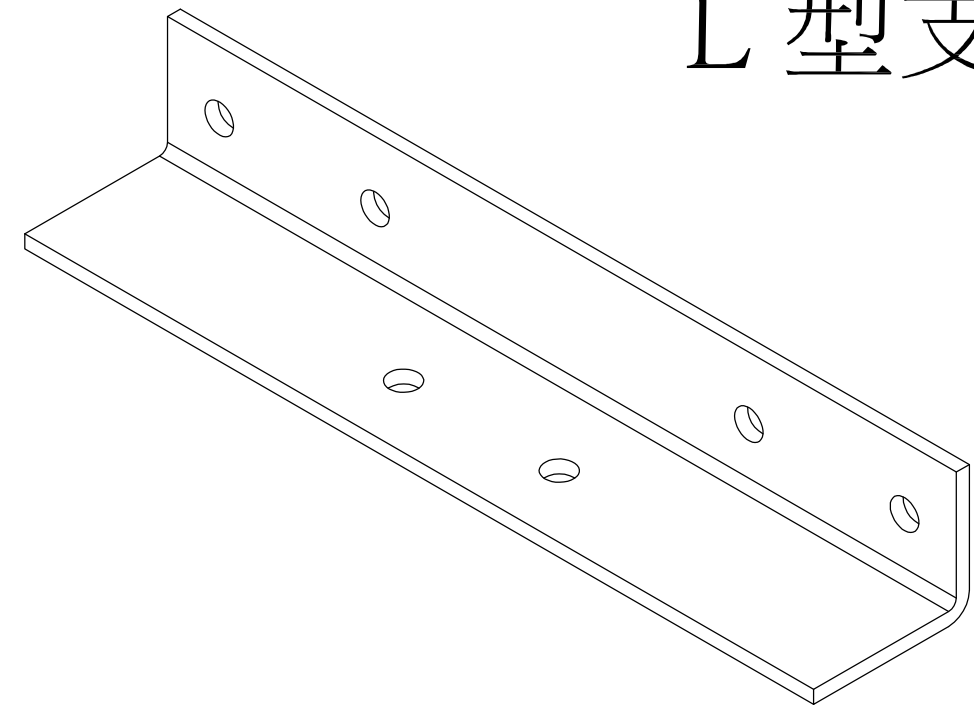
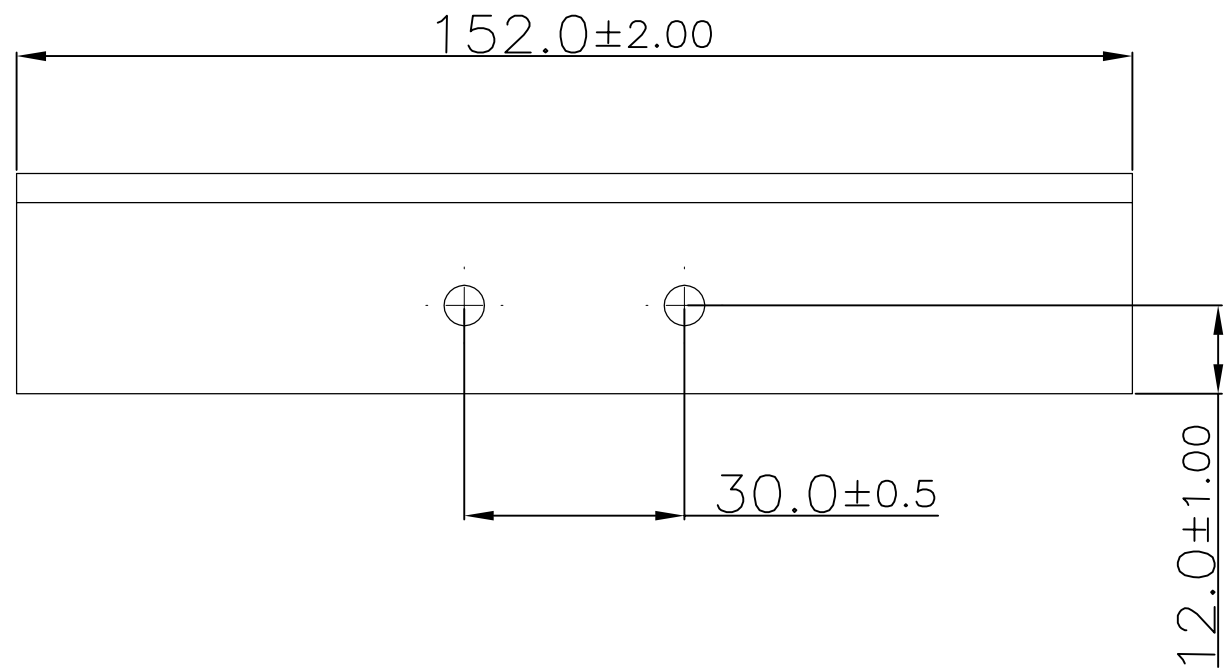
材質：不鏽鋼電著
I 型支架

MATERIAL: 不鏽鋼材質				Finish 支架：電著			
				PART NO. CT-SS120000AB4001			
DIM.	TOL.	Matel	Plastic	USER	UNIT: mm	SCALE: 1/2	TITLE: GL-PROJECT
0 ~ 6		0.10	0.10		DRAWN: Ryan 11/13/2015		SS120 Triple unit kit
6 ~ 30		0.15	0.15		CHECKED:		DWG NO. 00_RF03-05A
30 ~ 120		0.20	0.25		APPROVED:		SIZE: A3
120 ~ 300		0.25	0.40				SHEET 4 OF 7
300 ~ 600		0.40	0.60				
600 ~ 1200		0.70	0.80				
MATERIAL				1"			

REV	DESCRIPTION	APPROVED	DATE
△A	NEW		11/13/2015

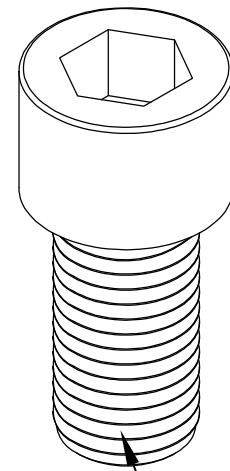
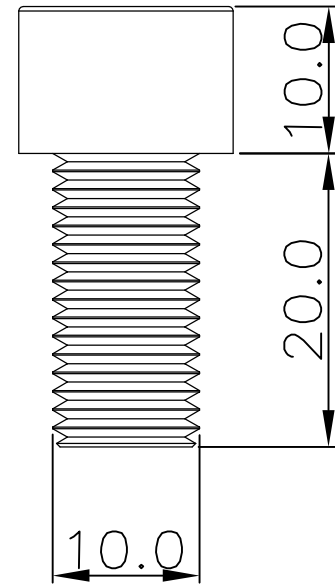
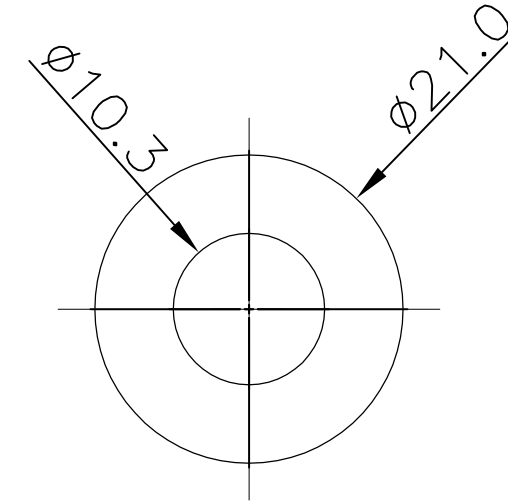
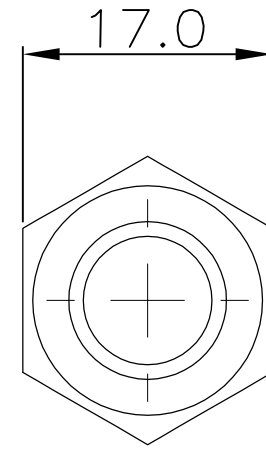
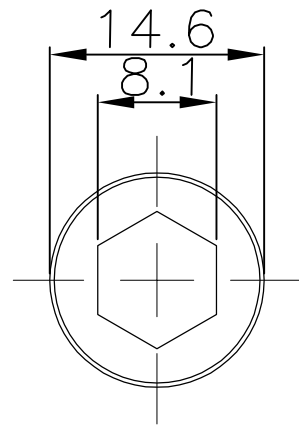


材質：不鏽鋼電著
L型支架

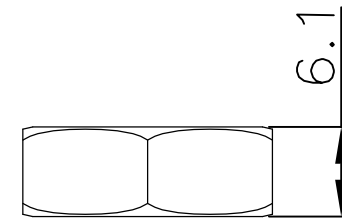


MATERIAL: 不鏽鋼材質				Finish 支架：電著			
				PART NO. CT-SS120000AB4001			
DIM.	TOL.	Matel	Plastic	USER	UNIT: mm	SCALE: 1/2	TITLE: GL-PROJECT
0 ~ 6		0.10	0.10		DRAWN: Ryan 11/13/2015		SS120 Triple unit kit
6 ~ 30		0.15	0.15		CHECKED:		DWG NO. 00_RF03-05A
30 ~ 120		0.20	0.25		APPROVED:		SIZE: A3
120 ~ 300		0.25	0.40				SHEET 5 OF 7
300 ~ 600		0.40	0.60				
600 ~ 1200		0.70	0.80				
MATERIAL				1"			

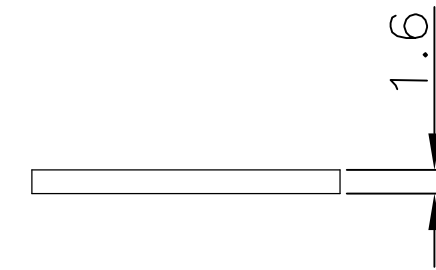
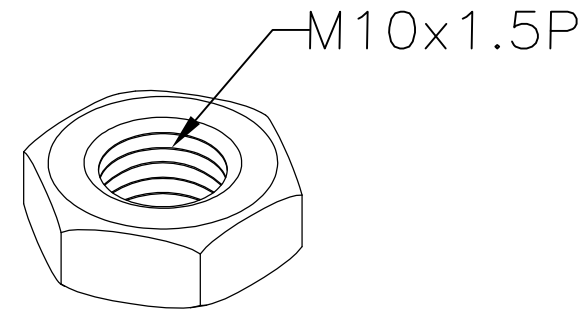
REV	DESCRIPTION	APPROVED	DATE
A	NEW		11/13/2015



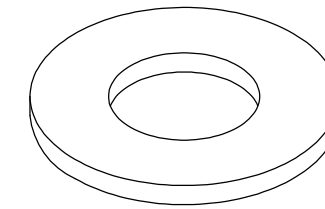
M10x1.5P



6.1



1.6




M10內六角螺絲

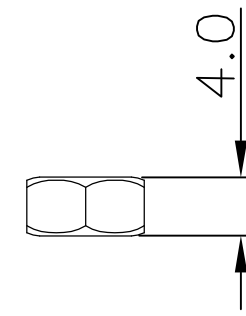
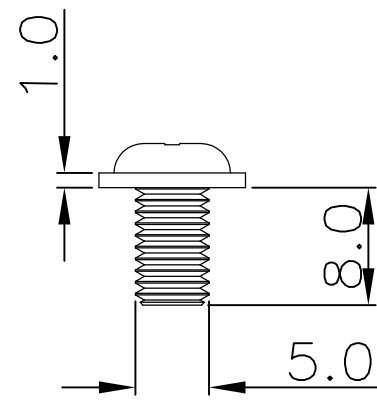
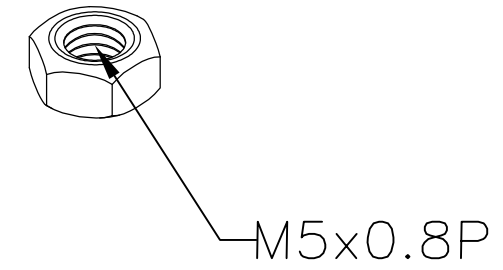
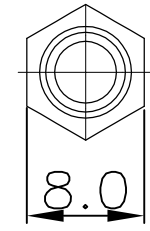
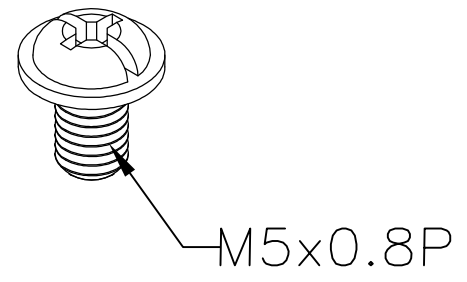
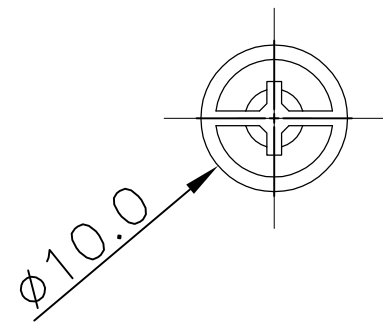
材質：不鏽鋼本色

M10螺帽

M10平華司

MATERIAL: 不鏽鋼材質				Finish 支架：電著			
				PART NO. CT-SS120000AB4001			
DIM.	TOL.	Matel	Plastic	USER	UNIT:mm	SCALE: 1/2	TITLE: GL-PROJECT
0 ~ 6		0.10	0.10		DRAWN: Ryan	11/13/2015	SS120 Triple unit kit
6 ~ 30		0.15	0.15		CHECKED:		DWG NO. 00_RF03-05A
30 ~ 120		0.20	0.25		APPROVED:		SIZE: A3
120 ~ 300		0.25	0.40				SHEET 7 OF 8
300 ~ 600		0.40	0.60				
600 ~ 1200		0.70	0.80				
MATERIAL		1"					

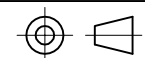
REV	DESCRIPTION	APPROVED	DATE
A	NEW		11/13/2015



M5x8 帶墊螺絲

M5螺帽

材質：不鏽鋼染黑

MATERIAL: 不鏽鋼材質				Finish 支架：電著																																						
<table border="1"> <thead> <tr> <th>DIM.</th> <th>TOL.</th> <th>Matel</th> <th>Plastic</th> <th>USER</th> </tr> </thead> <tbody> <tr> <td>0 ~ 6</td> <td></td> <td>0.10</td> <td>0.10</td> <td></td> </tr> <tr> <td>6 ~ 30</td> <td></td> <td>0.15</td> <td>0.15</td> <td></td> </tr> <tr> <td>30 ~ 120</td> <td></td> <td>0.20</td> <td>0.25</td> <td></td> </tr> <tr> <td>120 ~ 300</td> <td></td> <td>0.25</td> <td>0.40</td> <td></td> </tr> <tr> <td>300 ~ 600</td> <td></td> <td>0.40</td> <td>0.60</td> <td></td> </tr> <tr> <td>600 ~ 1200</td> <td></td> <td>0.70</td> <td>0.80</td> <td></td> </tr> </tbody> </table>				DIM.	TOL.			Matel	Plastic	USER	0 ~ 6		0.10	0.10		6 ~ 30		0.15	0.15		30 ~ 120		0.20	0.25		120 ~ 300		0.25	0.40		300 ~ 600		0.40	0.60		600 ~ 1200		0.70	0.80		PART NO. CT-SS120000AB4001	
DIM.	TOL.	Matel	Plastic	USER																																						
0 ~ 6		0.10	0.10																																							
6 ~ 30		0.15	0.15																																							
30 ~ 120		0.20	0.25																																							
120 ~ 300		0.25	0.40																																							
300 ~ 600		0.40	0.60																																							
600 ~ 1200		0.70	0.80																																							
UNIT: mm		SCALE: 1/2		DRAWN: Ryan 11/13/2015		DWG NO. 00_RF03-05A																																				
MATERIAL				1"				CHECKED: APPROVED:		SIZE: A3 SHEET 8 OF 8																																