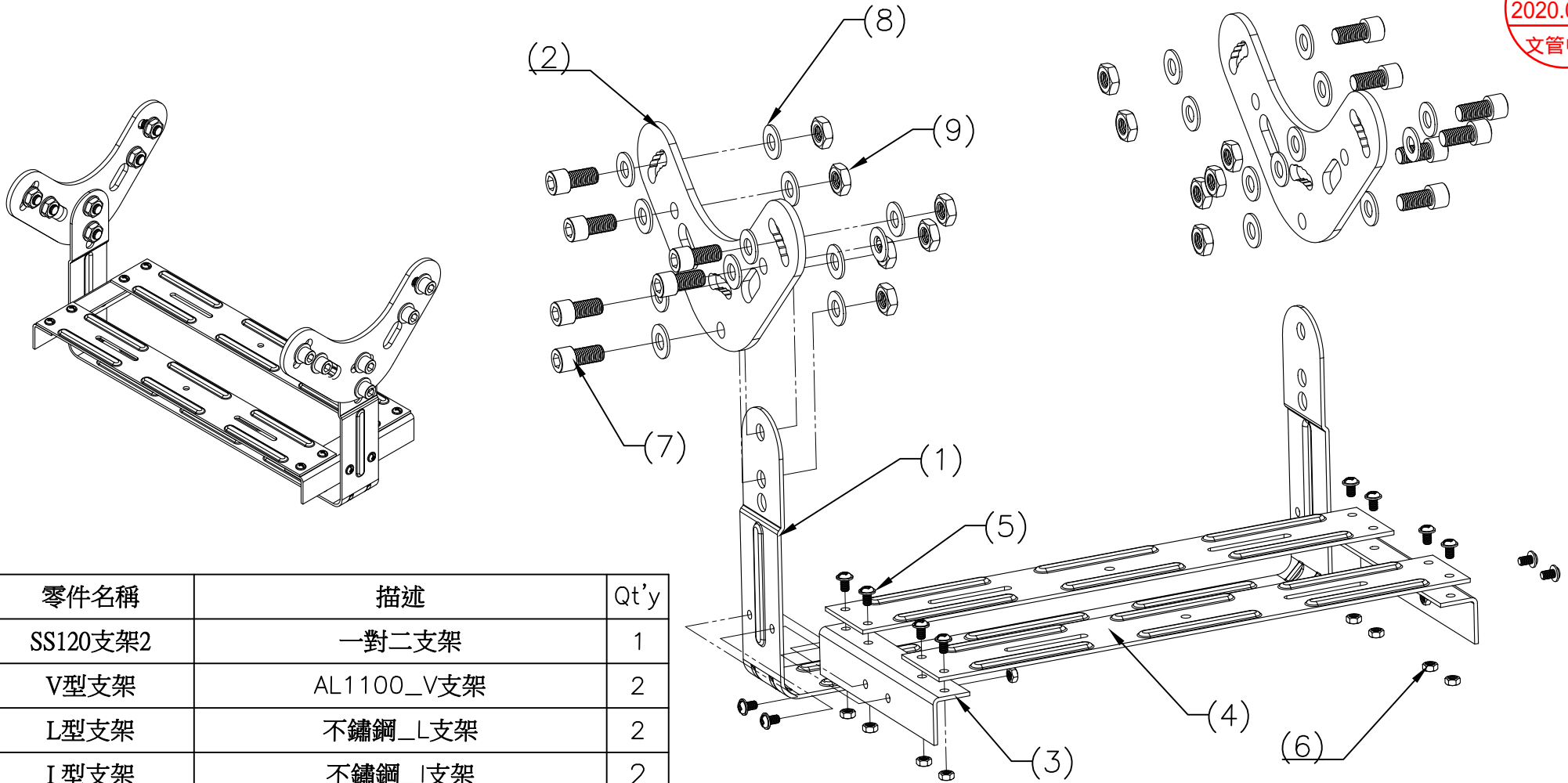



REV	DESCRIPTION	APPROVED	DATE
△	NEW		2/20/2020

批准  
2020.02.20  
文管中心



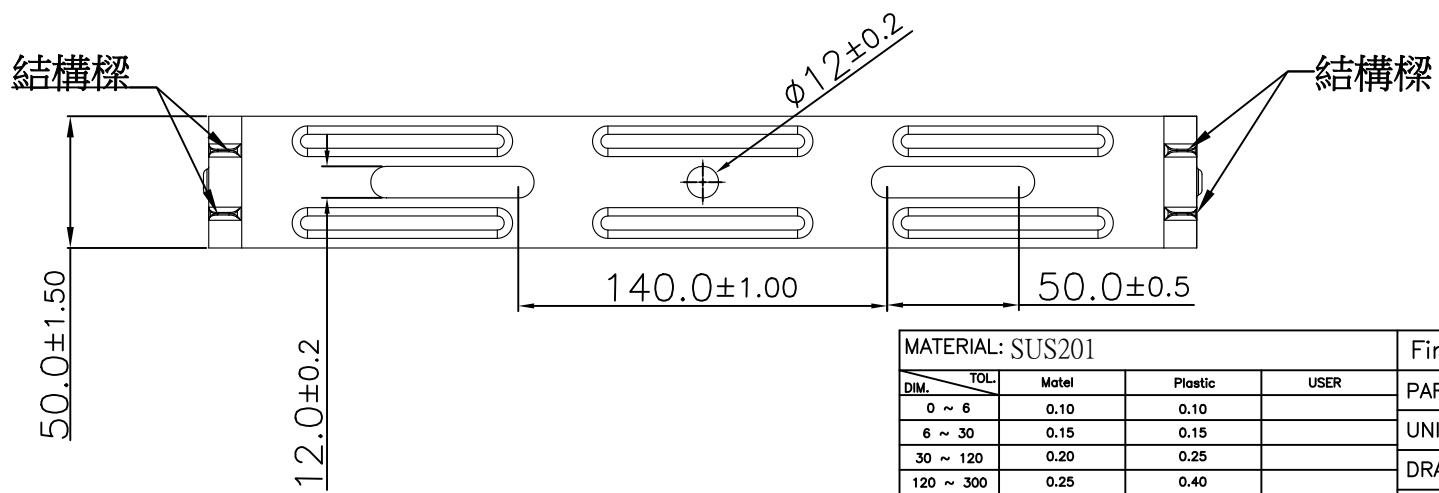
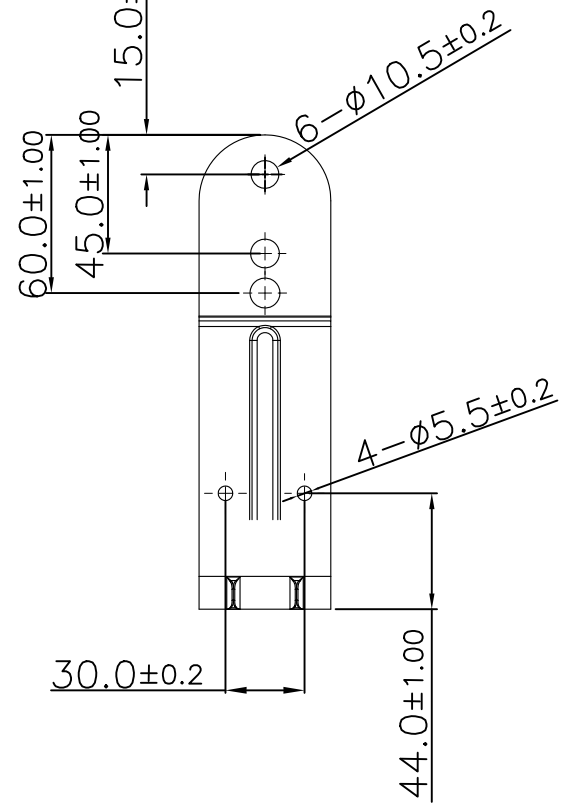
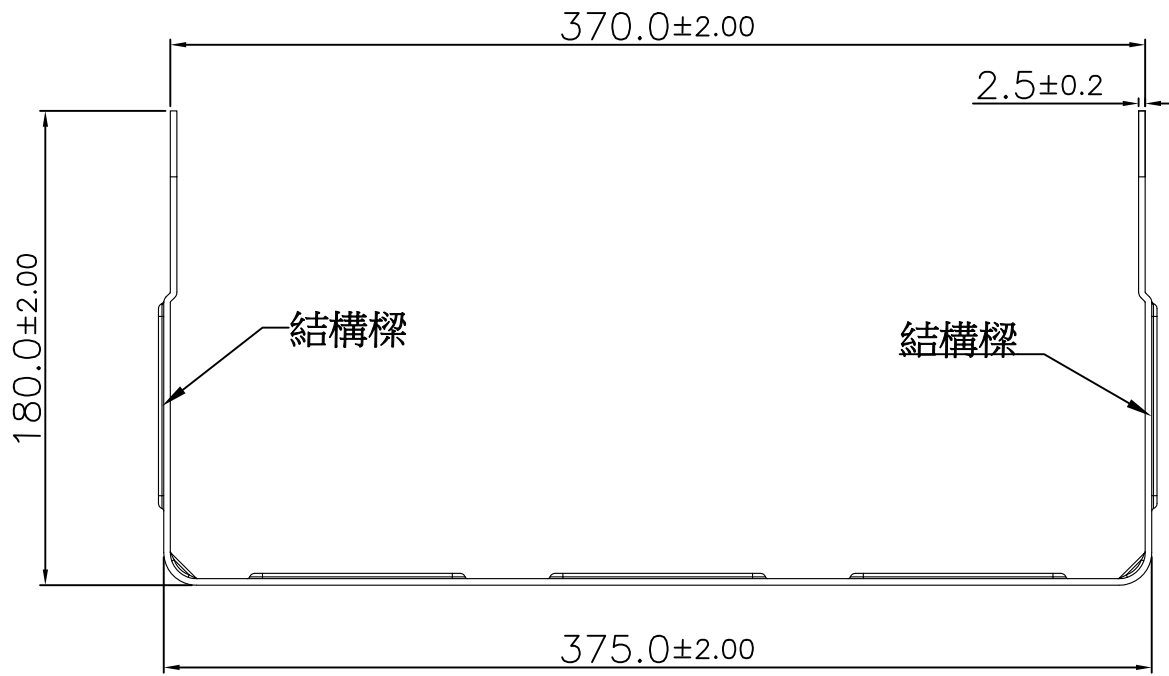
No.	零件名稱	描述	Qt'y
1	SS120支架2	一對二支架	1
2	V型支架	AL1100_V支架	2
3	L型支架	不鏽鋼_L支架	2
4	I型支架	不鏽鋼_I支架	2
5	M5螺絲	M5x16 不鏽鋼組合螺絲	12
6	M5螺帽	M5不鏽鋼螺帽	12
7	M10螺絲	M10x20內六角不鏽鋼螺絲	12
8	M10平華司	M10不鏽鋼華司	24
9	M10螺帽	M10不鏽鋼螺帽	12

MATERIAL: stainless steel + aluminum				Finish 電著																																				
<table border="1"> <thead> <tr> <th>DIM.</th> <th>TOL.</th> <th>Matel</th> <th>Plastic</th> <th>USER</th> </tr> </thead> <tbody> <tr> <td>0 ~ 6</td> <td></td> <td>0.10</td> <td>0.10</td> <td></td> </tr> <tr> <td>6 ~ 30</td> <td></td> <td>0.15</td> <td>0.15</td> <td></td> </tr> <tr> <td>30 ~ 120</td> <td></td> <td>0.20</td> <td>0.25</td> <td></td> </tr> <tr> <td>120 ~ 300</td> <td></td> <td>0.25</td> <td>0.40</td> <td></td> </tr> <tr> <td>300 ~ 600</td> <td></td> <td>0.40</td> <td>0.60</td> <td></td> </tr> <tr> <td>600 ~ 1200</td> <td></td> <td>0.70</td> <td>0.80</td> <td></td> </tr> </tbody> </table>				DIM.		TOL.	Matel	Plastic	USER	0 ~ 6		0.10	0.10		6 ~ 30		0.15	0.15		30 ~ 120		0.20	0.25		120 ~ 300		0.25	0.40		300 ~ 600		0.40	0.60		600 ~ 1200		0.70	0.80		PART NO. CT-SS120000AB3002
DIM.	TOL.	Matel	Plastic	USER																																				
0 ~ 6		0.10	0.10																																					
6 ~ 30		0.15	0.15																																					
30 ~ 120		0.20	0.25																																					
120 ~ 300		0.25	0.40																																					
300 ~ 600		0.40	0.60																																					
600 ~ 1200		0.70	0.80																																					
				UNIT: mm	SCALE: 1/2	TITLE: GL-PROJECT																																		
				DRAWN: Ryan	2/20/2020	SS120 Double unit kit																																		
				CHECKED: <i>Jusee</i>		DWG NO. RF03-04B																																		
				APPROVED:		SIZE: A3																																		
						SHEET 1 OF 7																																		



REV	DESCRIPTION	APPROVED	DATE
△	NEW		2/20/2020

批准  
2020.02.20  
文管中心



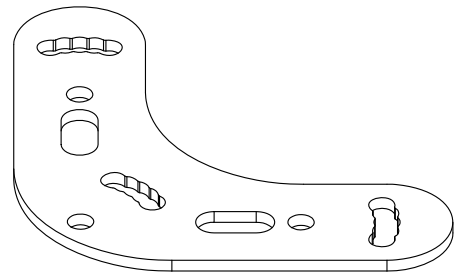
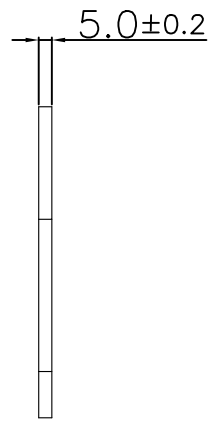
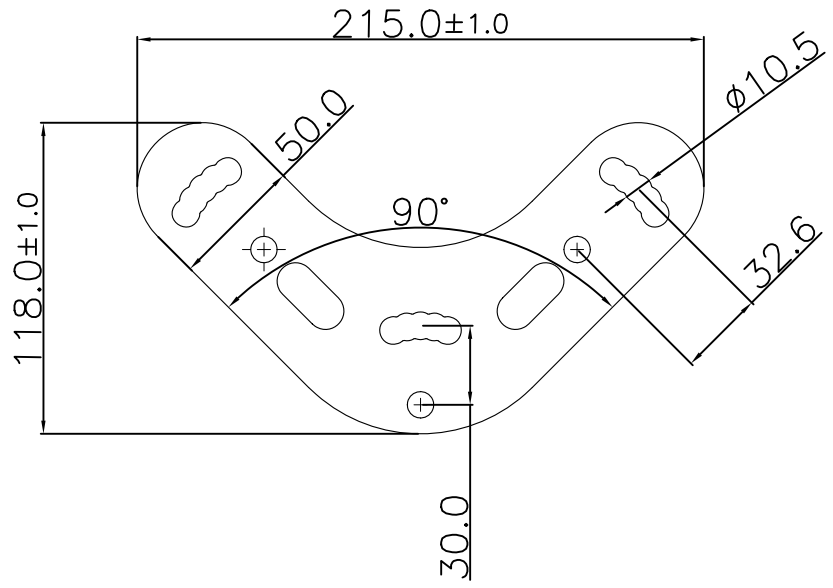
材質：不鏽鋼電著  
SS120 支架 2

MATERIAL: SUS201			
DIM.	TOL.	Matel	Plastic
0 ~ 6		0.10	0.10
6 ~ 30		0.15	0.15
30 ~ 120		0.20	0.25
120 ~ 300		0.25	0.40
300 ~ 600		0.40	0.60
600 ~ 1200		0.70	0.80
MATERIAL		1"	


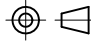
Finish 電著	PART NO. CT-SS120000AB3002
UNIT: mm	
DRAWN: Ryan 2/20/2020	SCALE: 1/2
CHECKED: <i>Jusue</i>	
APPROVED:	

TITLE: GL-PROJECT	
SS120 Double unit kit	
DWG NO. RF03-04B	
SIZE: A3	SHEET 2 OF 7

REV	DESCRIPTION	APPROVED	DATE
△	NEW		2/20/2020



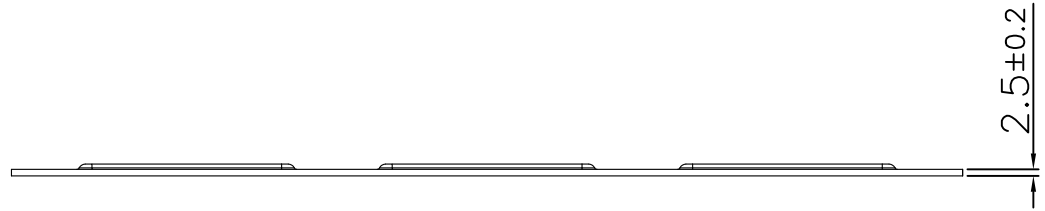
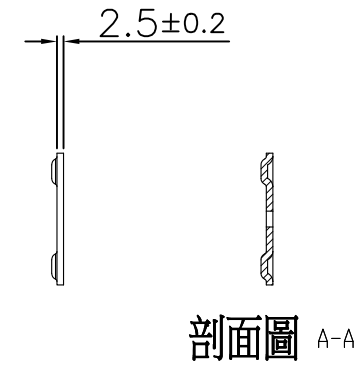
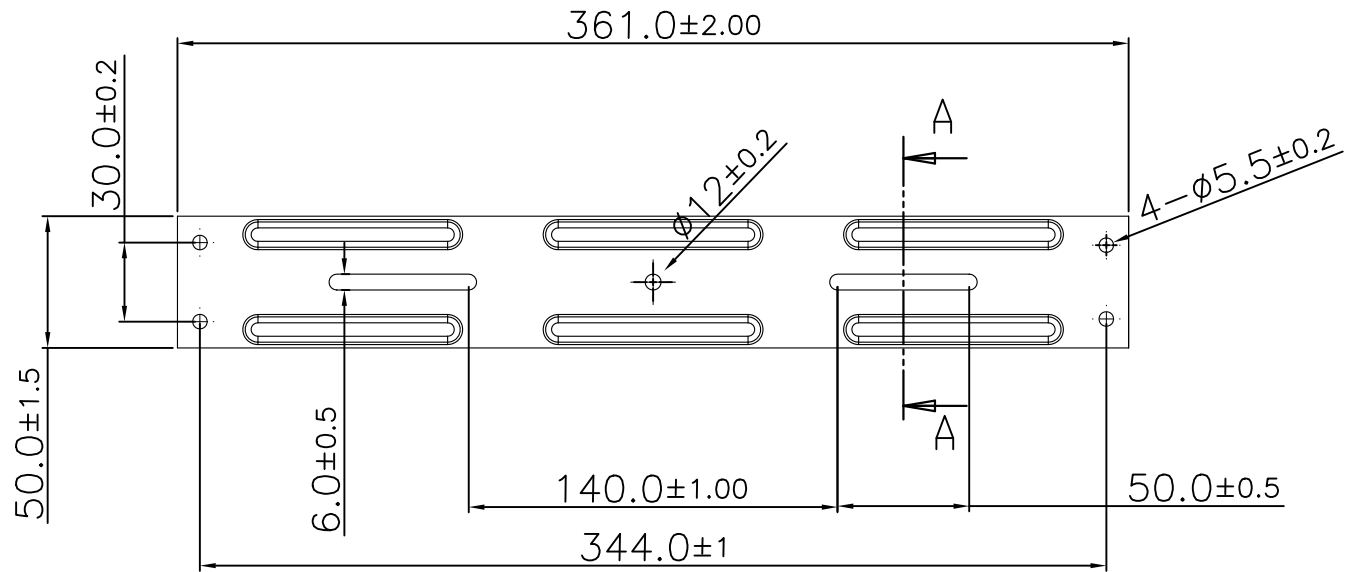
材質：AL1100 電著  
V型支架

MATERIAL: AL1100				Finish 電著	
DIM.	TOL.	Matel	Plastic	USER	
0 ~ 6		0.10	0.10		PART NO. CT-SS120000AB3002
6 ~ 30		0.15	0.15		UNIT: mm SCALE: 1/2
30 ~ 120		0.20	0.25		DRAWN: Ryan 2/20/2020
120 ~ 300		0.25	0.40		CHECKED: <i>Juseu</i>
300 ~ 600		0.40	0.60		APPROVED:
600 ~ 1200		0.70	0.80		
MATERIAL				1"	


TITLE: GL-PROJECT		SS120 Double unit kit	
DWG NO. RF03-04B		SIZE: A3	
SHEET 3 OF 7			

REV	DESCRIPTION	APPROVED	DATE
△	NEW		2/20/2020

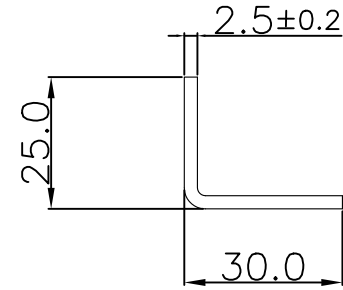
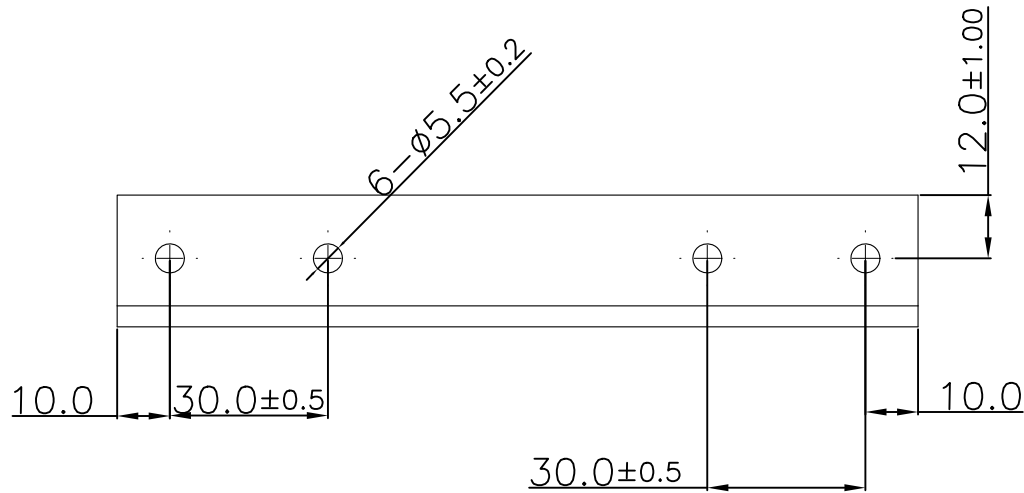
批准  
2020.02.20  
文管中心



材質：不鏽鋼電著  
I 型支架

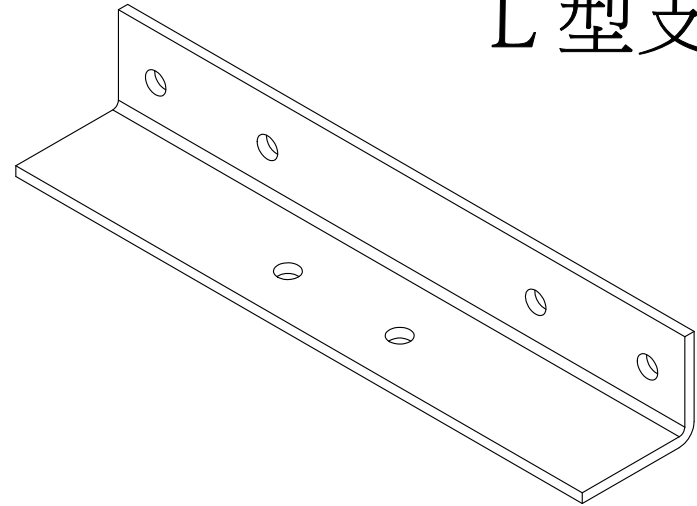
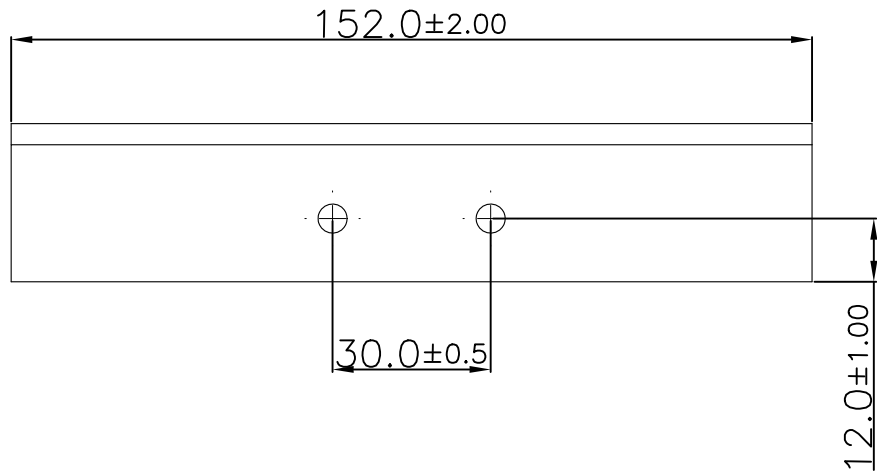
MATERIAL: SUS201				Finish 電著			
				PART NO. CT-SS120000AB3002			
DIM.	TOL.	Matel	Plastic	USER	UNIT: mm	SCALE: 1/2	TITLE: GL-PROJECT
0 ~ 6		0.10	0.10		DRAWN: Ryan	2/20/2020	SS120 Double unit kit
6 ~ 30		0.15	0.15		CHECKED:		DWG NO. RF03-04B
30 ~ 120		0.20	0.25		APPROVED:	<i>Juseu</i>	SIZE: A3
120 ~ 300		0.25	0.40				SHEET 4 OF 7
300 ~ 600		0.40	0.60				
600 ~ 1200		0.70	0.80				
MATERIAL	1'						

REV	DESCRIPTION	APPROVED	DATE
△	NEW		2/20/2020



材質：不鏽鋼電著

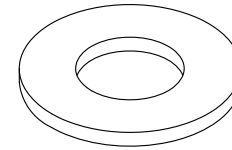
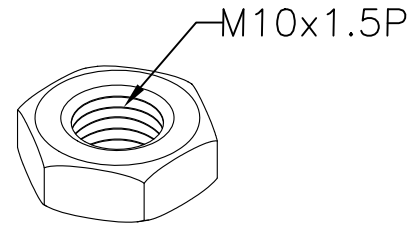
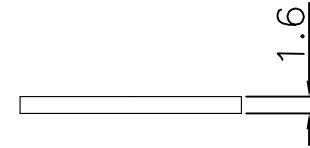
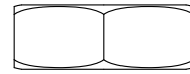
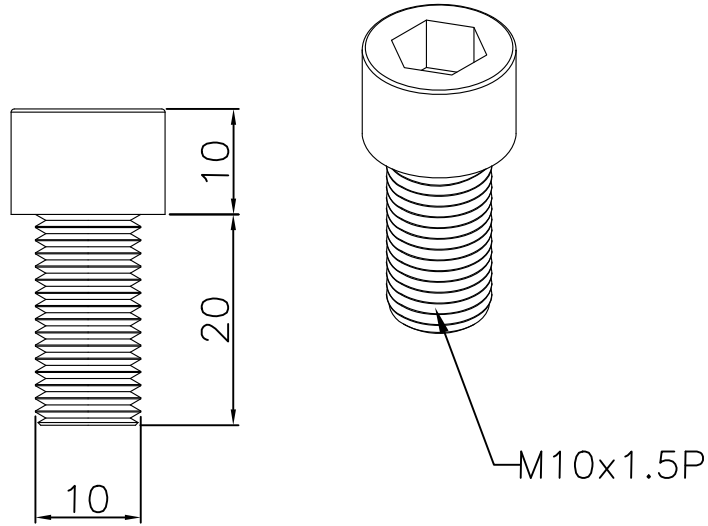
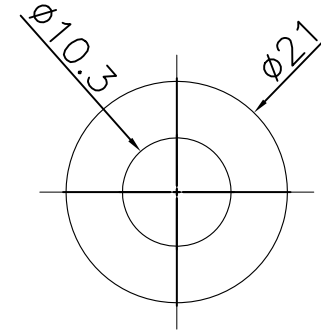
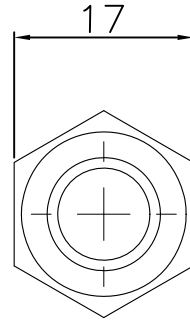
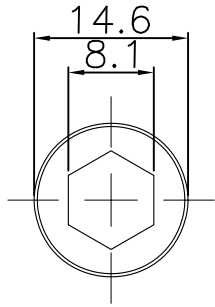
L 型支架



MATERIAL: SUS201				Finish 電著			
				PART NO. CT-SS120000AB3002			
DIM.	TOL.	Matel	Plastic	USER	UNIT: mm	SCALE: 1/2	TITLE: GL-PROJECT
0 ~ 6		0.10	0.10		DRAWN: Ryan	2/20/2020	SS120 Double unit kit
6 ~ 30		0.15	0.15		CHECKED: <i>Juseu</i>		DWG NO. RF03-04B
30 ~ 120		0.20	0.25		APPROVED:		SIZE: A3
120 ~ 300		0.25	0.40				SHEET 5 OF 7
300 ~ 600		0.40	0.60				
600 ~ 1200		0.70	0.80				
MATERIAL	1"						

REV	DESCRIPTION	APPROVED	DATE
△	NEW		2/20/2020

批准  
2020.02.20  
文管中心



M10内六角螺絲

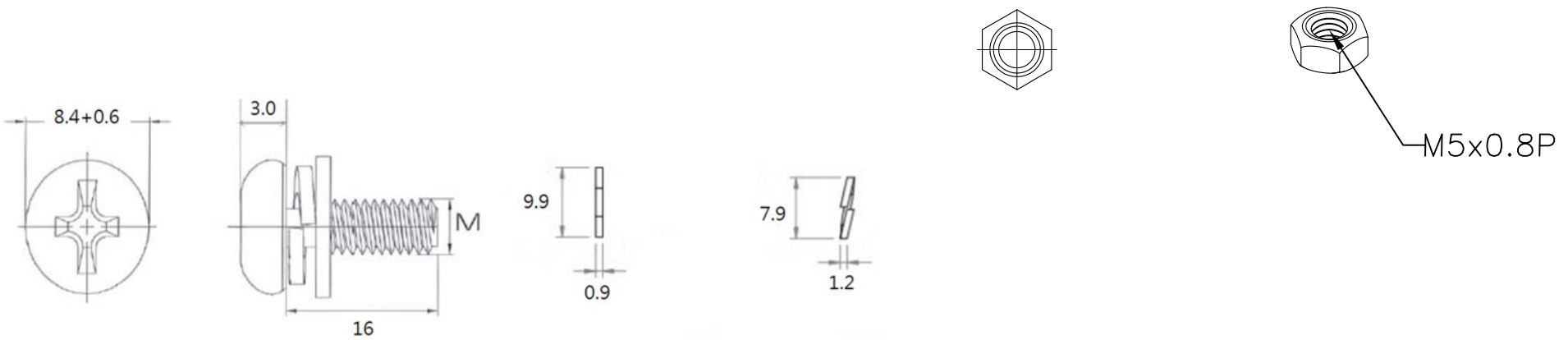
M10螺帽

M10平華司

MATERIAL: SUS304				Finish 電著			
				PART NO. CT-SS120000AB3002			
DIM.	TOL.	Matel	Plastic	USER	UNIT: mm	SCALE: 1/2	TITLE: GL-PROJECT
0 ~ 6	0.10	0.10			DRAWN: Ryan	2/20/2020	SS120 Double unit kit
6 ~ 30	0.15	0.15			CHECKED: <i>Juseu</i>		DWG NO. RF03-04B
30 ~ 120	0.20	0.25			APPROVED:		SIZE: A3
120 ~ 300	0.25	0.40					SHEET 6 OF 7
300 ~ 600	0.40	0.60					
600 ~ 1200	0.70	0.80					
MATERIAL	1'						

REV	DESCRIPTION	APPROVED	DATE
△	NEW		2/20/2020

批准  
2020.02.20  
文管中心



M5x16 不鏽鋼組合螺絲

M5螺帽

MATERIAL: SUS304				Finish 電著			
				PART NO. CT-SS120000AB3002			
DIM.	TOL.	Matel	Plastic	USER	UNIT: mm	SCALE: 1/2	TITLE: GL-PROJECT
0 ~ 6		0.10	0.10		DRAWN: Ryan	2/20/2020	SS120 Double unit kit
6 ~ 30		0.15	0.15		CHECKED: <i>Jusue</i>		DWG NO. RF03-04B
30 ~ 120		0.20	0.25		APPROVED:		SIZE: A3
120 ~ 300		0.25	0.40				SHEET 7 OF 7
300 ~ 600		0.40	0.60				
600 ~ 1200		0.70	0.80				
MATERIAL				1'			