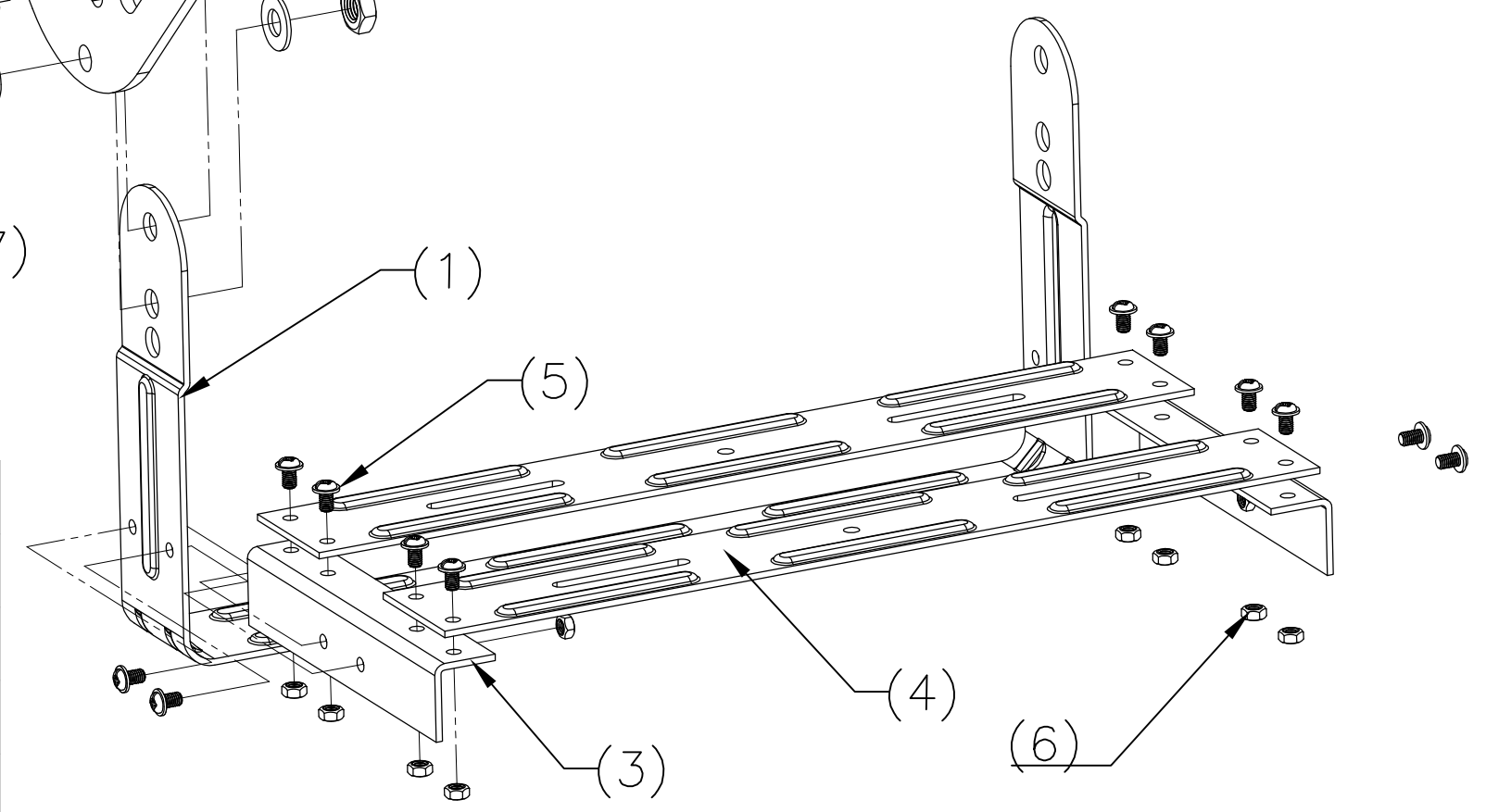
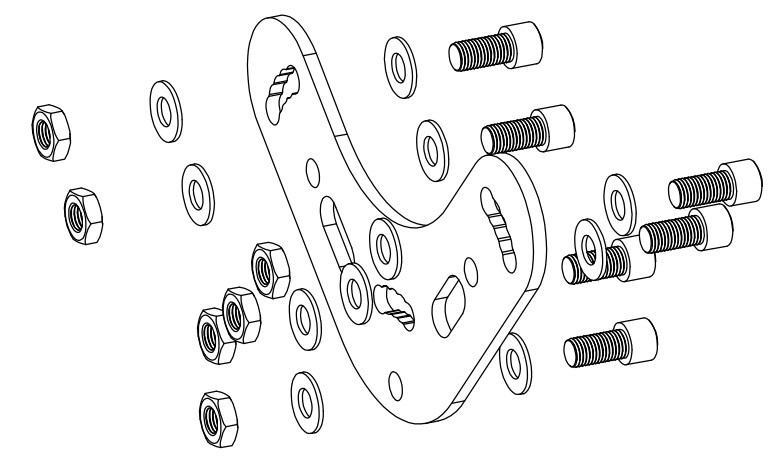
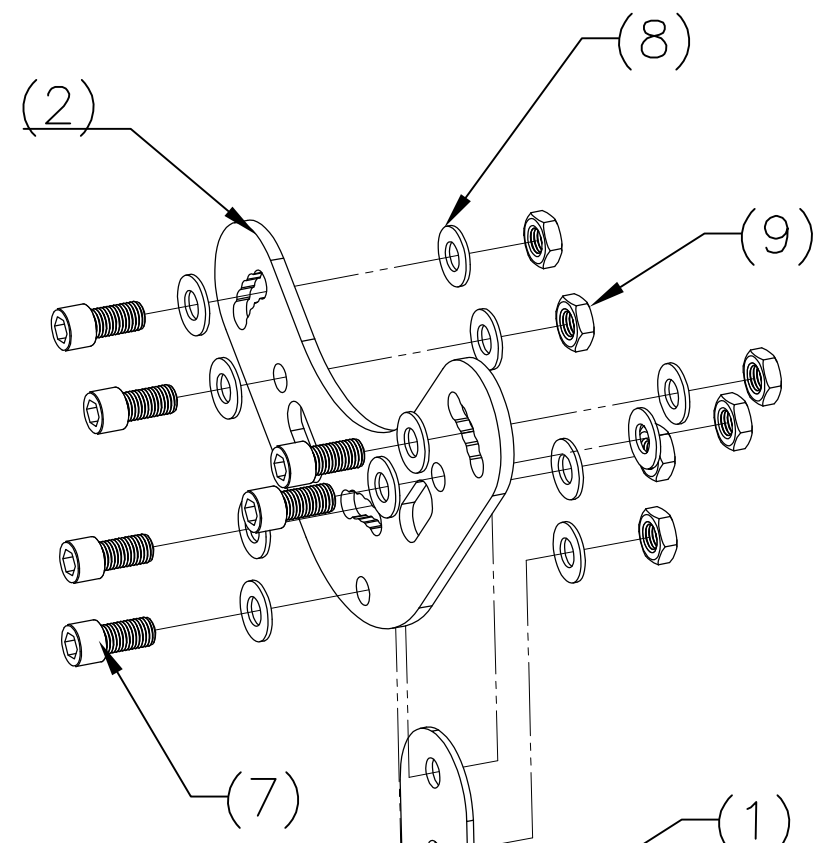
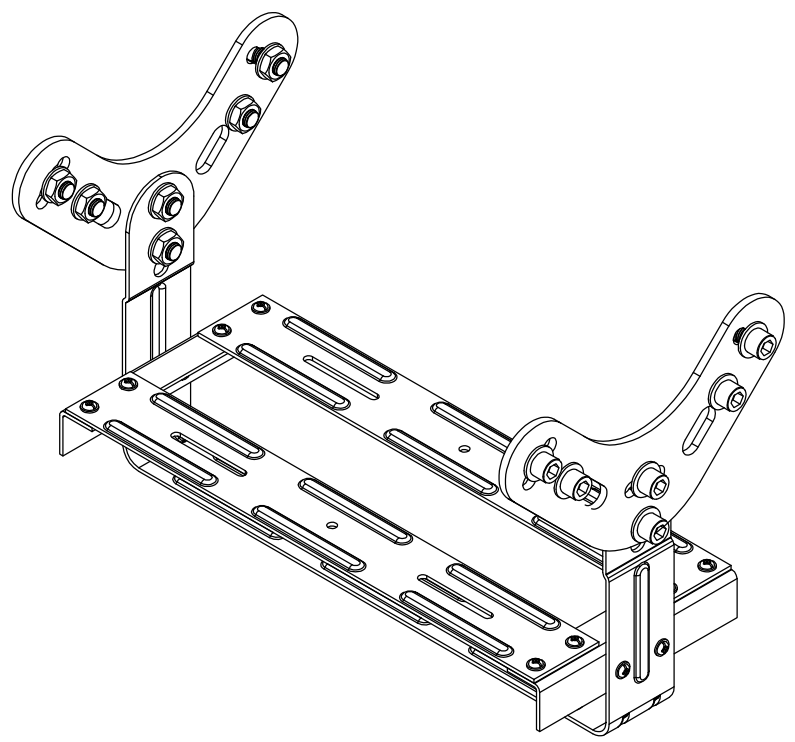


REV	DESCRIPTION	APPROVED	DATE
△	NEW		11/13/2015

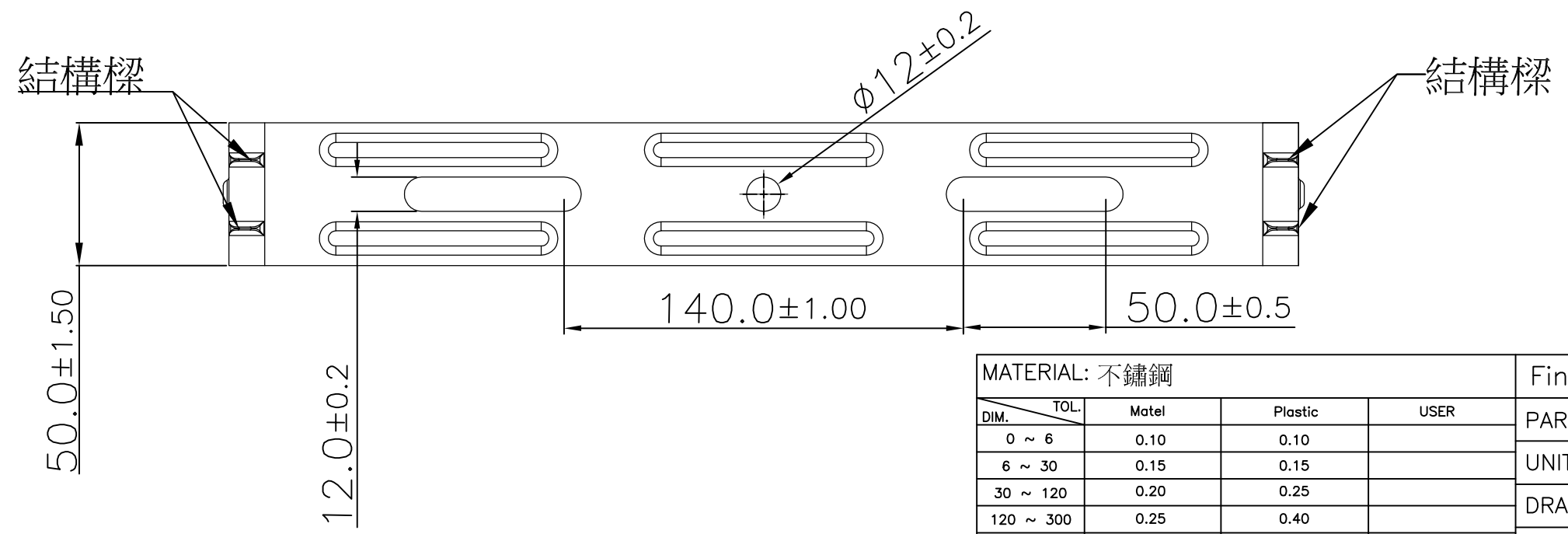
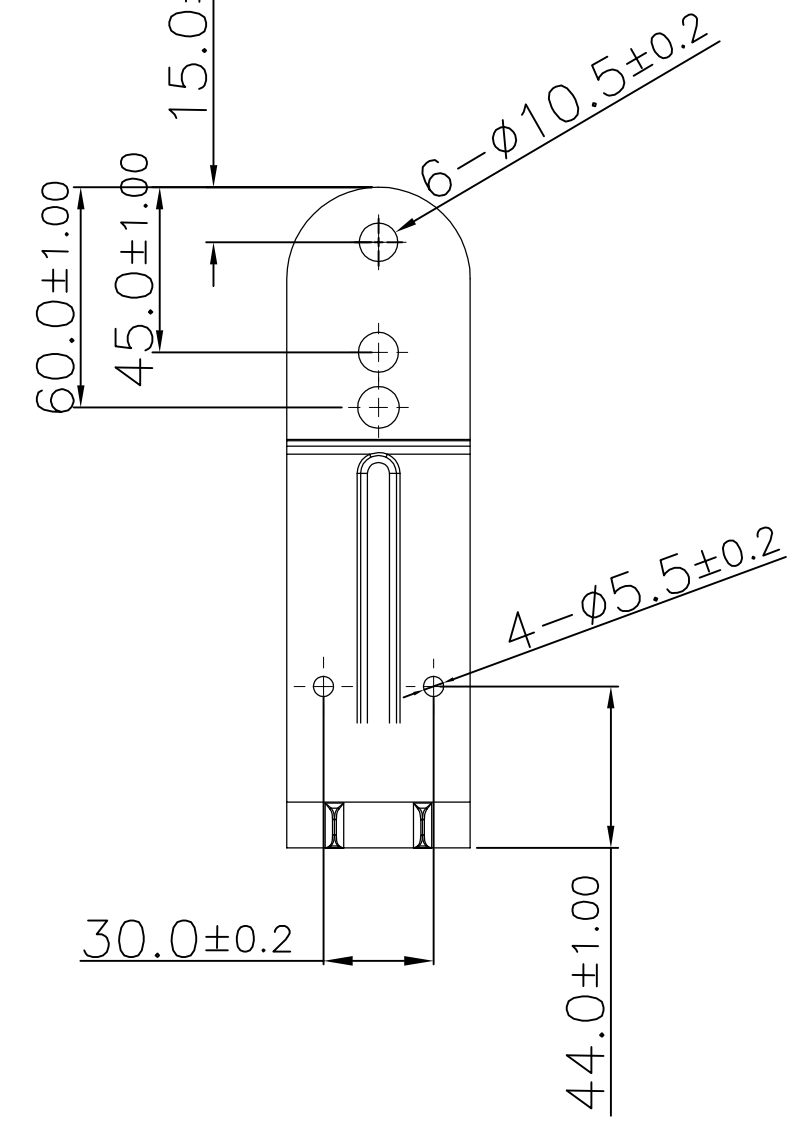
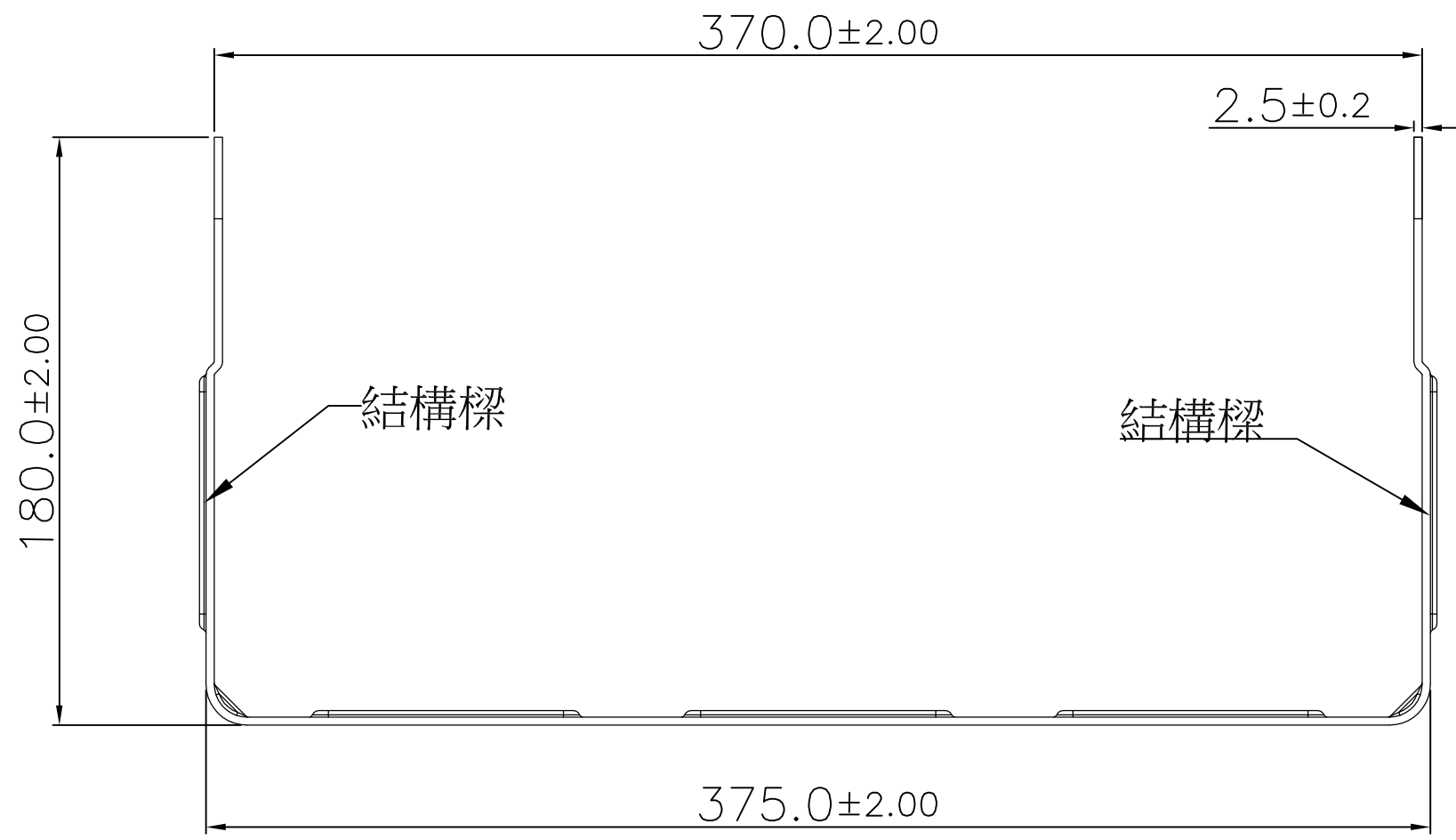
批准
2015.11.13
文管中心




No.	零件名稱	描述	Qt'y
1	SS120支架2	一對二支架	1
2	V型支架	AL1050_V支架	2
3	L型支架	不鏽鋼_L支架	2
4	I型支架	不鏽鋼_I支架	2
5	M5螺絲	M5x8 帶墊不鏽鋼螺絲	12
6	M5螺帽	M5不鏽鋼螺帽	12
7	M10螺絲	M10x20內六角不鏽鋼螺絲	12
8	M10平華司	M10不鏽鋼華司	24
9	M10螺帽	M10不鏽鋼螺帽	12

MATERIAL: 不鏽鋼				Finish 電著		
DIM.	TOL.	Matel	Plastic	USER	PART NO. CT-SS120000AB3001	
0 ~ 6		0.10	0.10		UNIT:mm	SCALE: 1/2
6 ~ 30		0.15	0.15		DRAWN: Ryan 11/13/2015	
30 ~ 120		0.20	0.25		CHECKED: Mingta	
120 ~ 300		0.25	0.40		APPROVED:	
300 ~ 600		0.40	0.60		TITLE: GL-PROJECT	
600 ~ 1200		0.70	0.80		SS120 Double unit kit	
MATERIAL				1"		DWG NO. RF03-04A
						SIZE: A3
						SHEET 1 OF 7

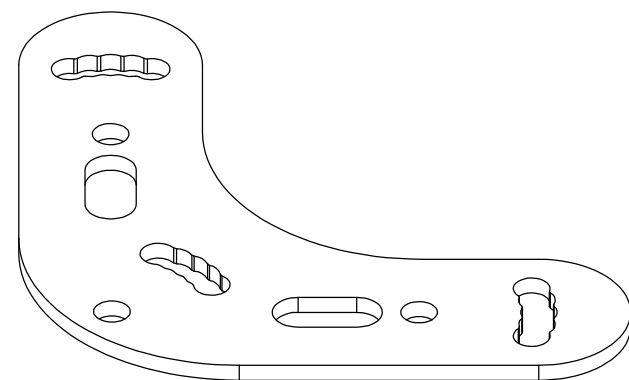
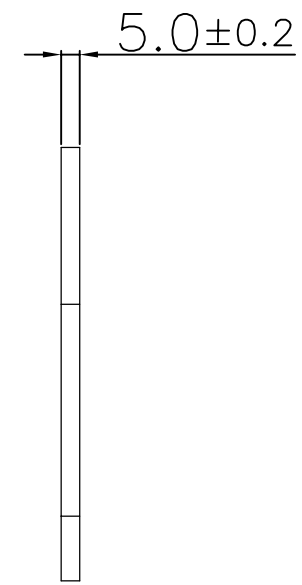
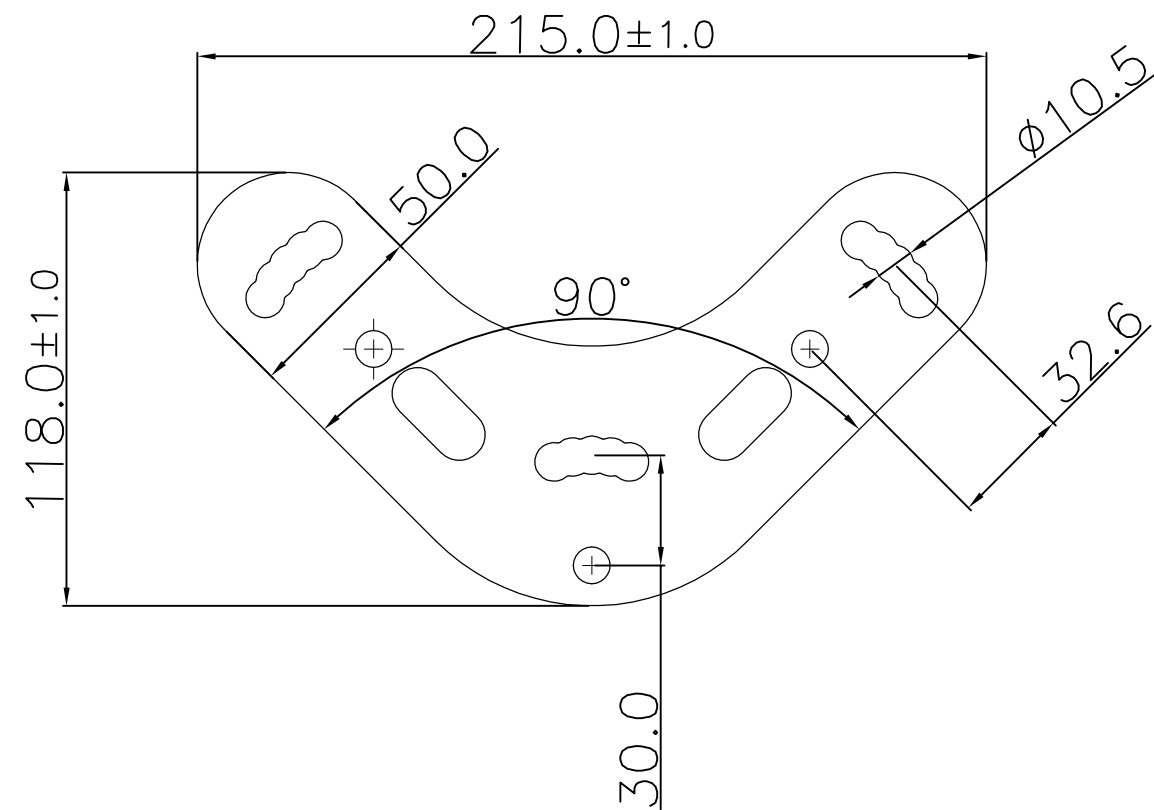
REV	DESCRIPTION	APPROVED	DATE
△	NEW		11/13/2015




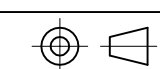
材質：不鏽鋼電著
SS120 支架 2

MATERIAL: 不鏽鋼				Finish 電著			
				PART NO. CT-SS120000AB3001			
DIM.	TOL.	Matel	Plastic	USER	UNIT: mm	SCALE: 1/2	TITLE: GL-PROJECT
0 ~ 6		0.10	0.10		DRAWN: Ryan	11/13/2015	SS120 Double unit kit
6 ~ 30		0.15	0.15		CHECKED:		DWG NO. RF03-04A
30 ~ 120		0.20	0.25		APPROVED:		SIZE: A3
120 ~ 300		0.25	0.40				SHEET 2 OF 7
300 ~ 600		0.40	0.60				
600 ~ 1200		0.70	0.80				
MATERIAL				1"			

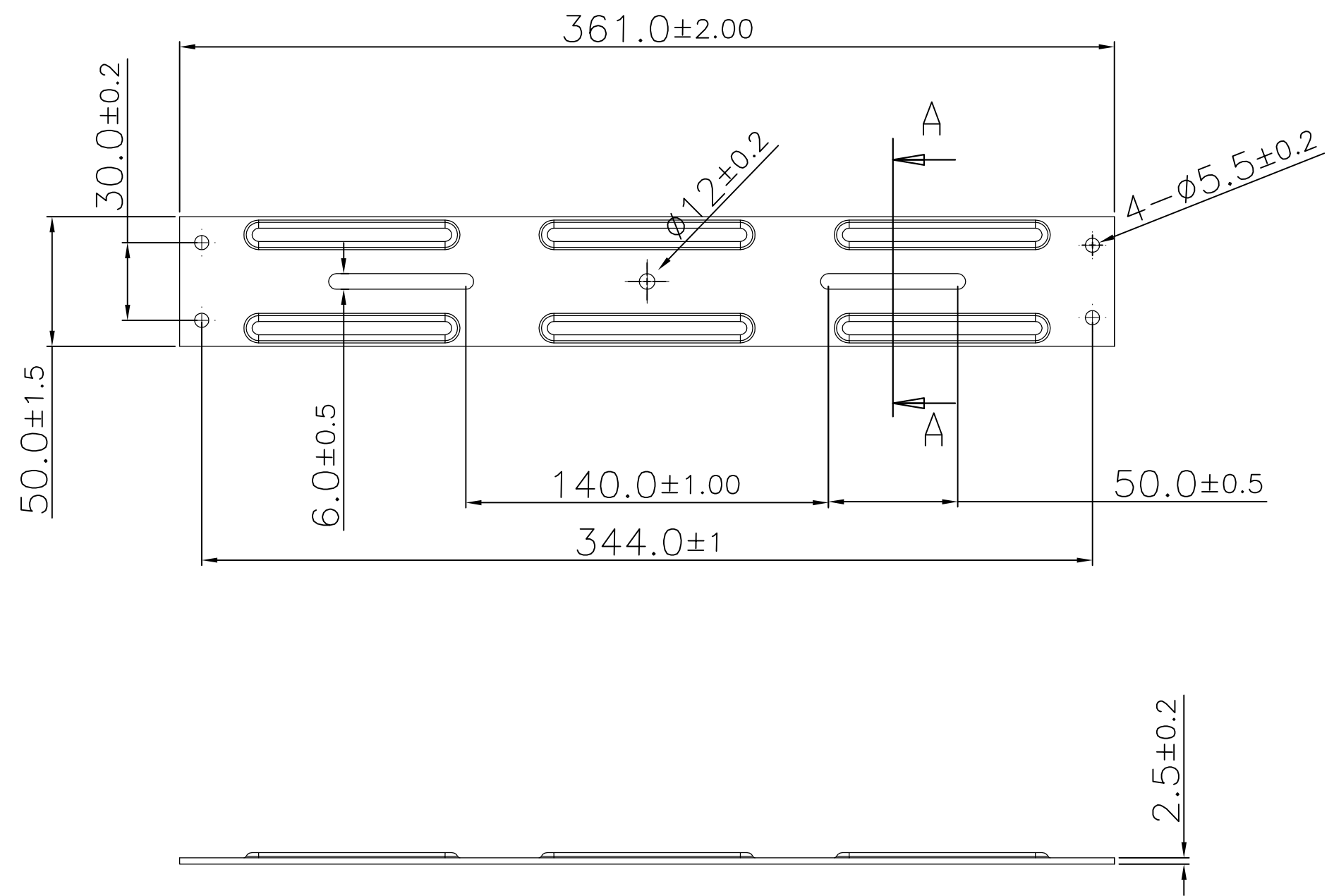
REV	DESCRIPTION	APPROVED	DATE
△A	NEW		11/13/2015



材質：AL1050 電著
V型支架


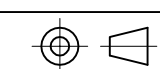
MATERIAL: 不鏽鋼				Finish 電著			
				PART NO. CT-SS120000AB3001			
DIM.	TOL.	Matel	Plastic	USER	UNIT: mm	SCALE: 1/2	TITLE: GL-PROJECT
0 ~ 6		0.10	0.10		DRAWN: Ryan 11/13/2015		SS120 Double unit kit
6 ~ 30		0.15	0.15		CHECKED:		DWG NO. RF03-04A
30 ~ 120		0.20	0.25		APPROVED:		SIZE: A3
120 ~ 300		0.25	0.40				SHEET 3 OF 7
300 ~ 600		0.40	0.60				
600 ~ 1200		0.70	0.80				
MATERIAL		1"					

REV	DESCRIPTION	APPROVED	DATE
△A	NEW		11/13/2015

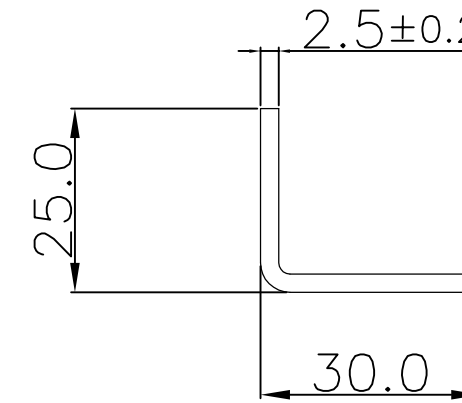
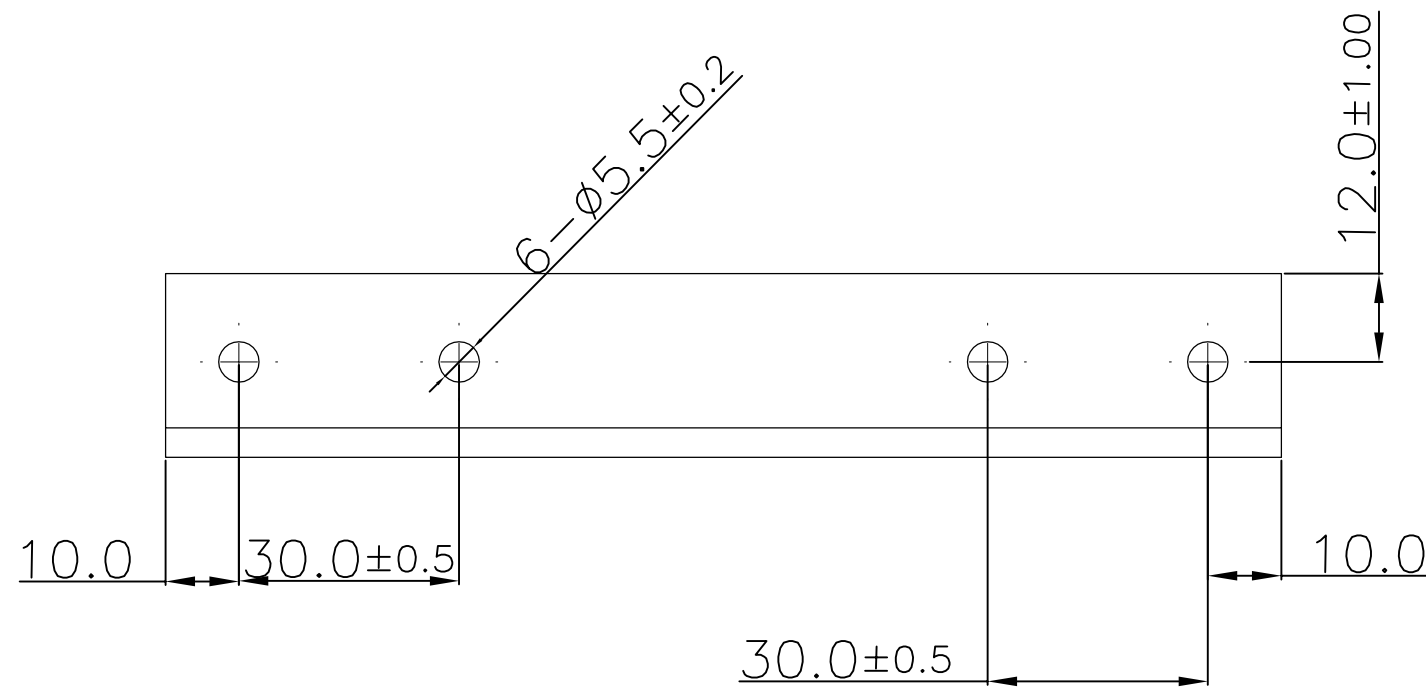


剖面圖 A-A

材質：不鏽鋼電著
I型支架

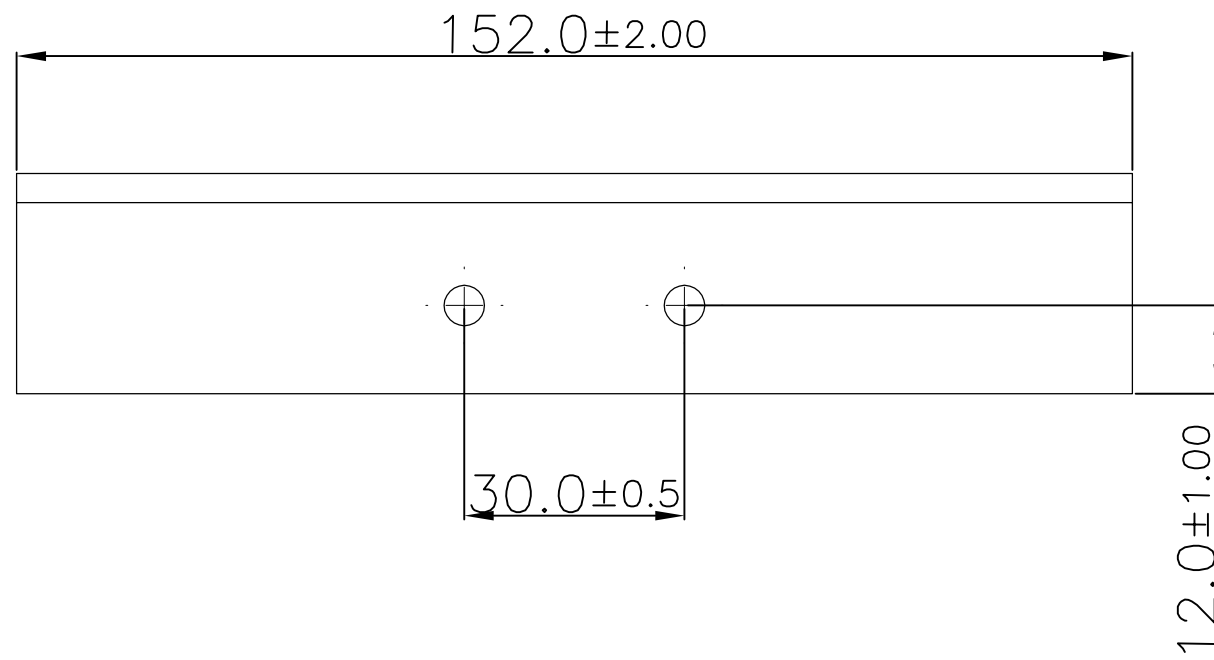
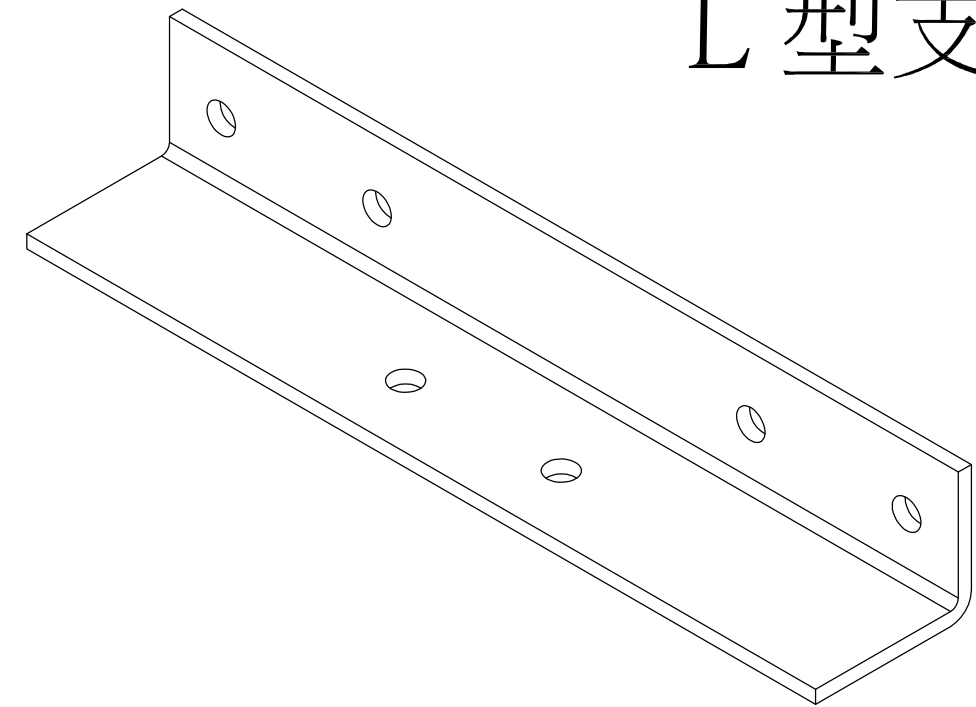
MATERIAL: 不鏽鋼				Finish 電著																																						
<table border="1"> <thead> <tr> <th>DIM.</th> <th>TOL.</th> <th>Matel</th> <th>Plastic</th> <th>USER</th> </tr> </thead> <tbody> <tr> <td>0 ~ 6</td> <td></td> <td>0.10</td> <td>0.10</td> <td></td> </tr> <tr> <td>6 ~ 30</td> <td></td> <td>0.15</td> <td>0.15</td> <td></td> </tr> <tr> <td>30 ~ 120</td> <td></td> <td>0.20</td> <td>0.25</td> <td></td> </tr> <tr> <td>120 ~ 300</td> <td></td> <td>0.25</td> <td>0.40</td> <td></td> </tr> <tr> <td>300 ~ 600</td> <td></td> <td>0.40</td> <td>0.60</td> <td></td> </tr> <tr> <td>600 ~ 1200</td> <td></td> <td>0.70</td> <td>0.80</td> <td></td> </tr> </tbody> </table>				DIM.	TOL.			Matel	Plastic	USER	0 ~ 6		0.10	0.10		6 ~ 30		0.15	0.15		30 ~ 120		0.20	0.25		120 ~ 300		0.25	0.40		300 ~ 600		0.40	0.60		600 ~ 1200		0.70	0.80		PART NO. CT-SS120000AB3001	
DIM.	TOL.	Matel	Plastic	USER																																						
0 ~ 6		0.10	0.10																																							
6 ~ 30		0.15	0.15																																							
30 ~ 120		0.20	0.25																																							
120 ~ 300		0.25	0.40																																							
300 ~ 600		0.40	0.60																																							
600 ~ 1200		0.70	0.80																																							
<table border="1"> <thead> <tr> <th>DIM.</th> <th>TOL.</th> <th>Matel</th> <th>Plastic</th> <th>USER</th> </tr> </thead> <tbody> <tr> <td>0 ~ 6</td> <td></td> <td>0.10</td> <td>0.10</td> <td></td> </tr> <tr> <td>6 ~ 30</td> <td></td> <td>0.15</td> <td>0.15</td> <td></td> </tr> <tr> <td>30 ~ 120</td> <td></td> <td>0.20</td> <td>0.25</td> <td></td> </tr> <tr> <td>120 ~ 300</td> <td></td> <td>0.25</td> <td>0.40</td> <td></td> </tr> <tr> <td>300 ~ 600</td> <td></td> <td>0.40</td> <td>0.60</td> <td></td> </tr> <tr> <td>600 ~ 1200</td> <td></td> <td>0.70</td> <td>0.80</td> <td></td> </tr> </tbody> </table>				DIM.	TOL.	Matel	Plastic	USER	0 ~ 6		0.10	0.10		6 ~ 30		0.15	0.15		30 ~ 120		0.20	0.25		120 ~ 300		0.25	0.40		300 ~ 600		0.40	0.60		600 ~ 1200		0.70	0.80		UNIT: mm SCALE: 1/2		DRAWN: Ryan 11/13/2015	
DIM.	TOL.	Matel	Plastic	USER																																						
0 ~ 6		0.10	0.10																																							
6 ~ 30		0.15	0.15																																							
30 ~ 120		0.20	0.25																																							
120 ~ 300		0.25	0.40																																							
300 ~ 600		0.40	0.60																																							
600 ~ 1200		0.70	0.80																																							
MATERIAL				APPROVED:		DWG NO. RF03-04A																																				
						SIZE: A3 SHEET 4 OF 7																																				


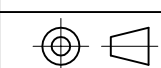
REV	DESCRIPTION	APPROVED	DATE
A	NEW		11/13/2015



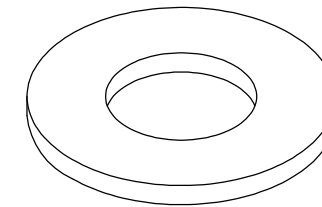
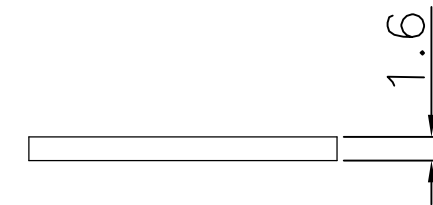
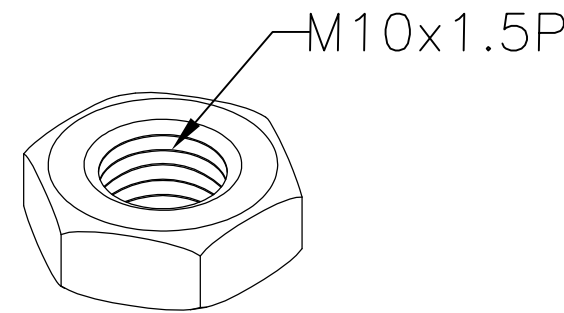
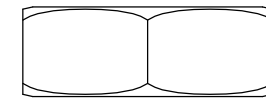
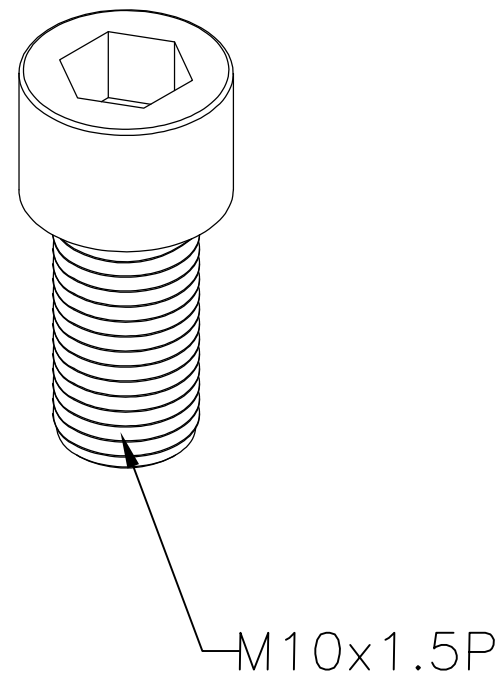
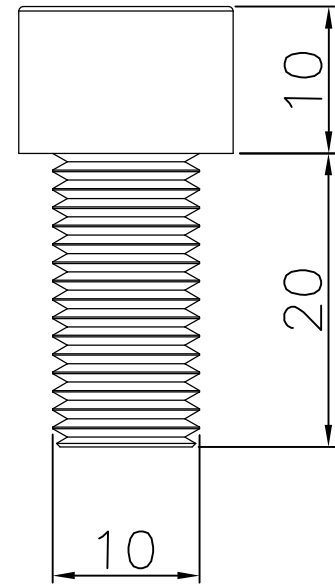
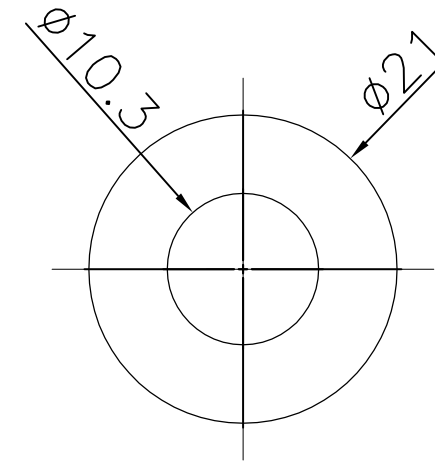
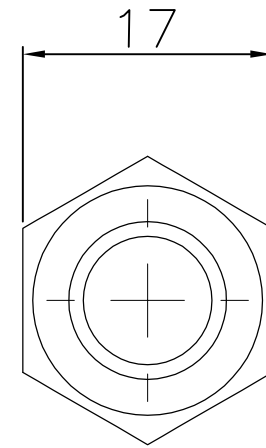
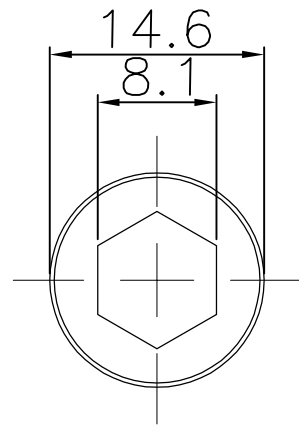
材質：不鏽鋼電著

L型支架



MATERIAL: 不鏽鋼				Finish 電著			
				PART NO. CT-SS120000AB3001			
DIM.	TOL.	Matel	Plastic	USER	UNIT: mm	SCALE: 1/2	TITLE: GL-PROJECT
0 ~ 6		0.10	0.10		DRAWN: Ryan	11/13/2015	SS120 Double unit kit
6 ~ 30		0.15	0.15		CHECKED:		DWG NO. RF03-04A
30 ~ 120		0.20	0.25		APPROVED:		SIZE: A3
120 ~ 300		0.25	0.40				SHEET 5 OF 7
300 ~ 600		0.40	0.60				
600 ~ 1200		0.70	0.80				
MATERIAL		1"					


REV	DESCRIPTION	APPROVED	DATE
△	NEW		11/13/2015



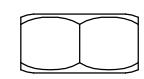
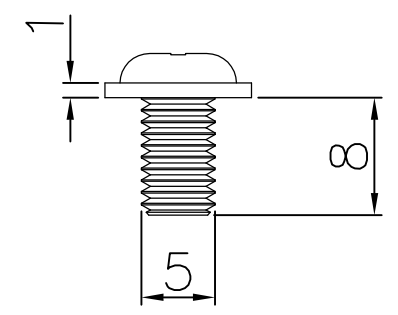
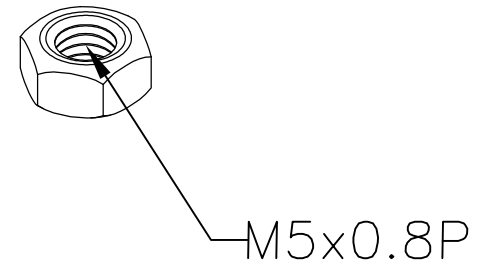
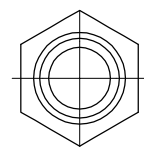
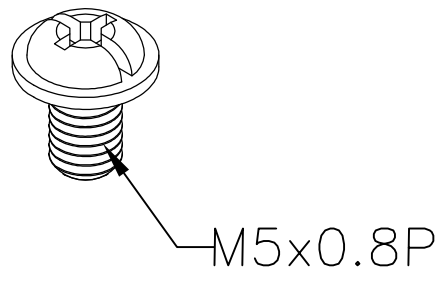
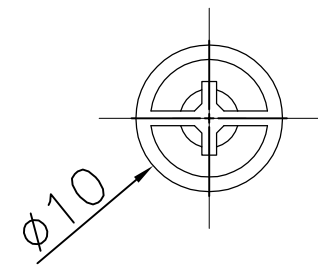
M10内六角螺絲

M10螺帽

M10平華司


MATERIAL: 不鏽鋼				Finish 電著																																						
<table border="1"> <thead> <tr> <th>DIM.</th> <th>TOL.</th> <th>Matel</th> <th>Plastic</th> <th>USER</th> </tr> </thead> <tbody> <tr> <td>0 ~ 6</td> <td></td> <td>0.10</td> <td>0.10</td> <td></td> </tr> <tr> <td>6 ~ 30</td> <td></td> <td>0.15</td> <td>0.15</td> <td></td> </tr> <tr> <td>30 ~ 120</td> <td></td> <td>0.20</td> <td>0.25</td> <td></td> </tr> <tr> <td>120 ~ 300</td> <td></td> <td>0.25</td> <td>0.40</td> <td></td> </tr> <tr> <td>300 ~ 600</td> <td></td> <td>0.40</td> <td>0.60</td> <td></td> </tr> <tr> <td>600 ~ 1200</td> <td></td> <td>0.70</td> <td>0.80</td> <td></td> </tr> </tbody> </table>				DIM.	TOL.			Matel	Plastic	USER	0 ~ 6		0.10	0.10		6 ~ 30		0.15	0.15		30 ~ 120		0.20	0.25		120 ~ 300		0.25	0.40		300 ~ 600		0.40	0.60		600 ~ 1200		0.70	0.80		PART NO. CT-SS120000AB3001	
DIM.	TOL.	Matel	Plastic	USER																																						
0 ~ 6		0.10	0.10																																							
6 ~ 30		0.15	0.15																																							
30 ~ 120		0.20	0.25																																							
120 ~ 300		0.25	0.40																																							
300 ~ 600		0.40	0.60																																							
600 ~ 1200		0.70	0.80																																							
MATERIAL 1"				UNIT: mm SCALE: 1/2		DRAWN: Ryan 11/13/2015																																				
				CHECKED:		DWG NO. RF03-04A																																				
				APPROVED:		SIZE: A3 SHEET 6 OF 7																																				

REV	DESCRIPTION	APPROVED	DATE
A	NEW		11/13/2015



M5x8 帶墊螺絲

M5螺帽

MATERIAL: 不鏽鋼				Finish 電著																																						
<table border="1"> <thead> <tr> <th>DIM.</th> <th>TOL.</th> <th>Matel</th> <th>Plastic</th> <th>USER</th> </tr> </thead> <tbody> <tr> <td>0 ~ 6</td> <td></td> <td>0.10</td> <td>0.10</td> <td></td> </tr> <tr> <td>6 ~ 30</td> <td></td> <td>0.15</td> <td>0.15</td> <td></td> </tr> <tr> <td>30 ~ 120</td> <td></td> <td>0.20</td> <td>0.25</td> <td></td> </tr> <tr> <td>120 ~ 300</td> <td></td> <td>0.25</td> <td>0.40</td> <td></td> </tr> <tr> <td>300 ~ 600</td> <td></td> <td>0.40</td> <td>0.60</td> <td></td> </tr> <tr> <td>600 ~ 1200</td> <td></td> <td>0.70</td> <td>0.80</td> <td></td> </tr> </tbody> </table>				DIM.	TOL.			Matel	Plastic	USER	0 ~ 6		0.10	0.10		6 ~ 30		0.15	0.15		30 ~ 120		0.20	0.25		120 ~ 300		0.25	0.40		300 ~ 600		0.40	0.60		600 ~ 1200		0.70	0.80		PART NO. CT-SS120000AB3001	
DIM.	TOL.	Matel	Plastic	USER																																						
0 ~ 6		0.10	0.10																																							
6 ~ 30		0.15	0.15																																							
30 ~ 120		0.20	0.25																																							
120 ~ 300		0.25	0.40																																							
300 ~ 600		0.40	0.60																																							
600 ~ 1200		0.70	0.80																																							
MATERIAL				UNIT: mm		SCALE: 1/2																																				
				DRAWN: Ryan 11/13/2015		DWG NO. RF03-04A																																				
				CHECKED:		SIZE: A3																																				
				APPROVED:		SHEET 7 OF 7																																				