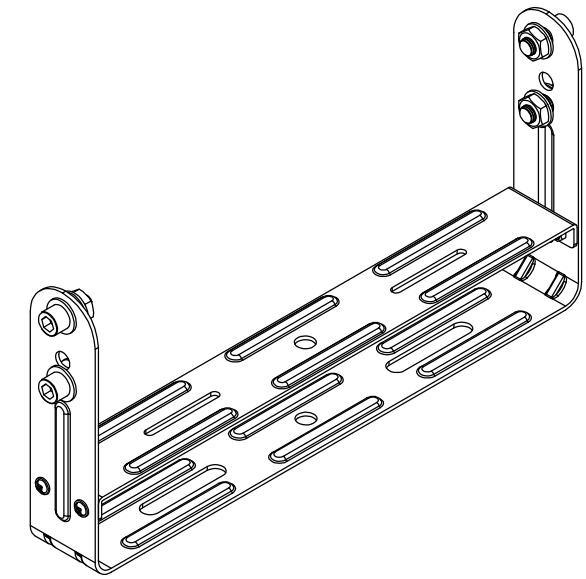
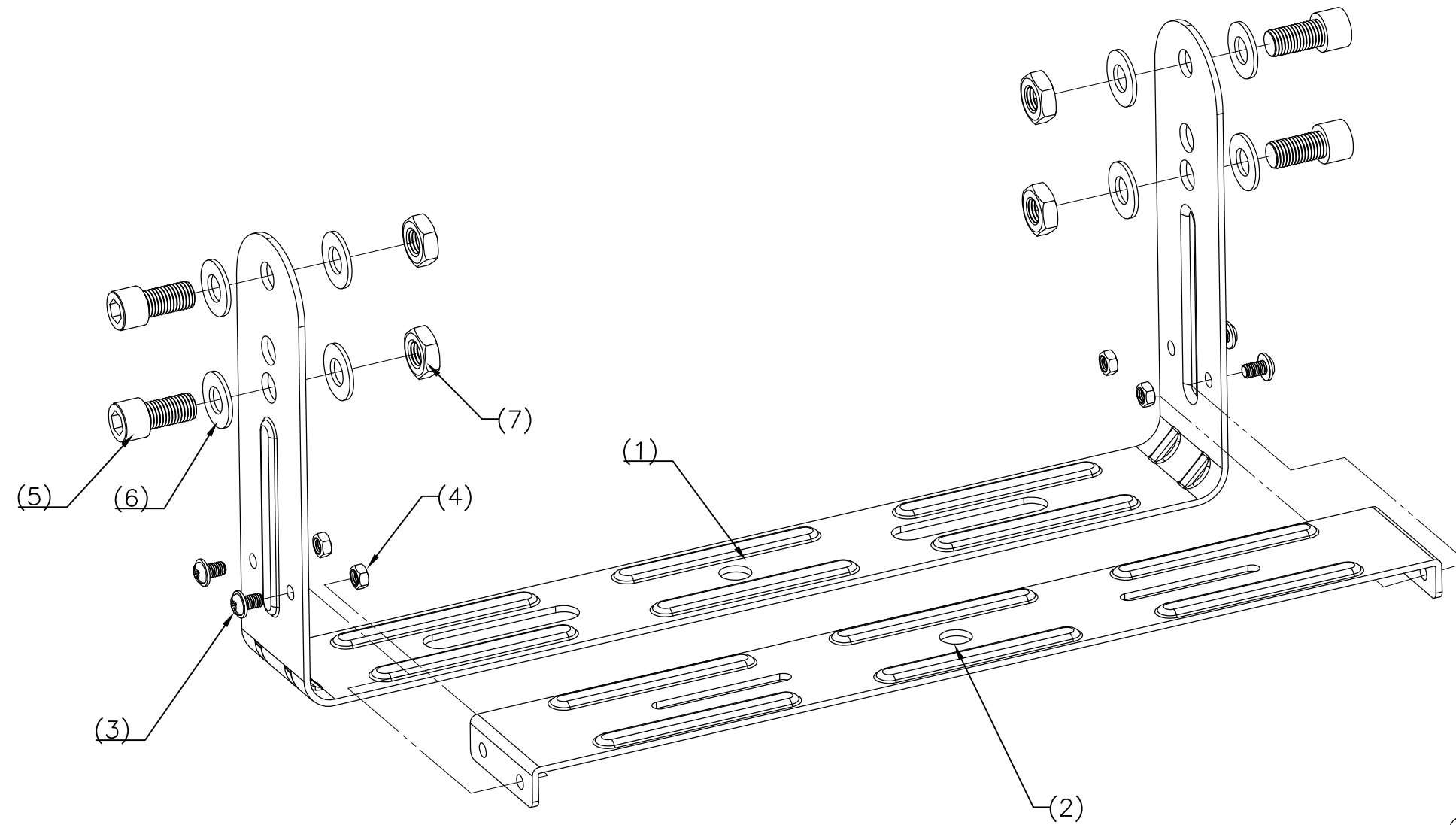


REV	DESCRIPTION	APPROVED	DATE
△	NEW		11/13/2015

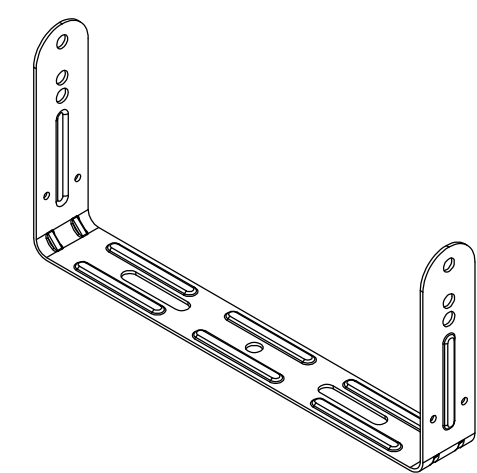
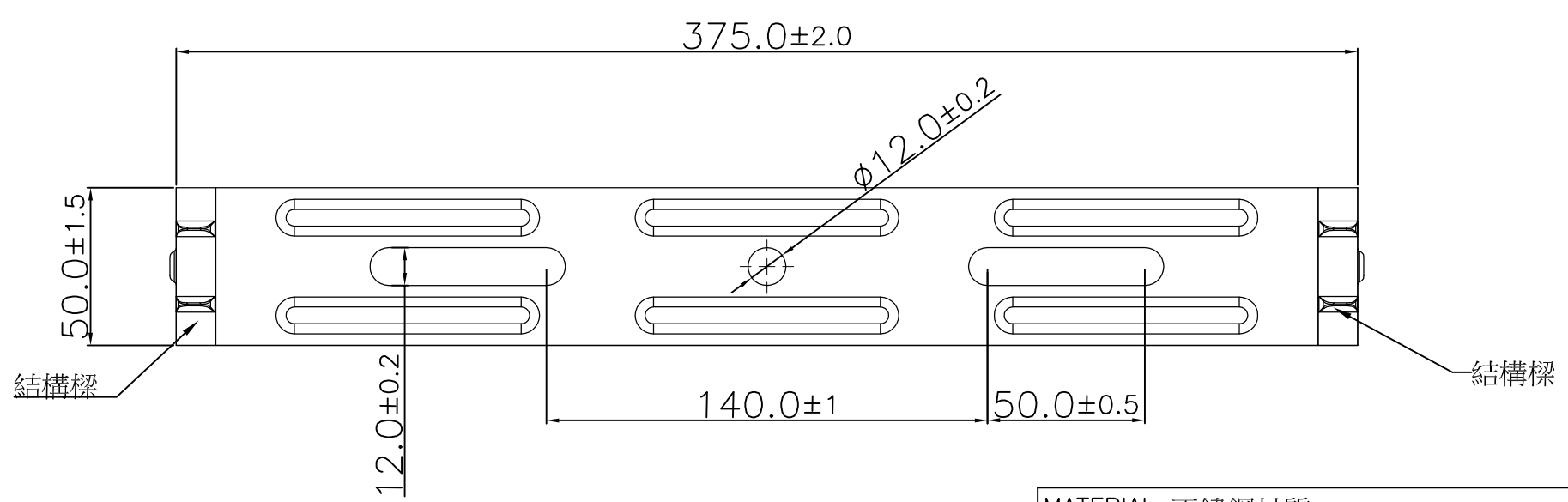
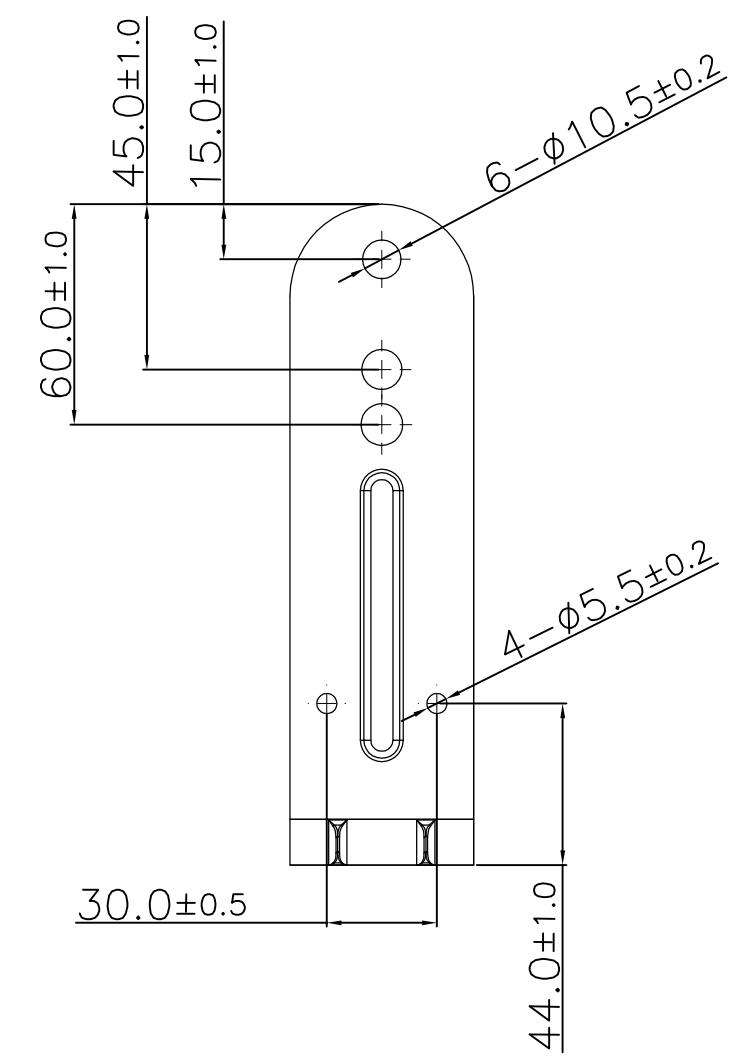
批准
2015.11.13
文管中心



No.	零件名稱	描述	Qt'y
1	SS120支架1	一對一支架	1
2	U型支架	不鏽鋼電著	1
3	M5螺絲	M5x8 帶墊不鏽鋼螺絲	4
4	M5螺帽	M5不鏽鋼螺帽	4
5	M10螺絲	M10x20內六角不鏽鋼螺絲	4
6	M10平華司	M10不鏽鋼華司	8
7	M10螺帽	M10不鏽鋼螺帽	4

MATERIAL: 不鏽鋼材質				Finish 支架-電著, 螺絲-本色		
DIM.	TOL.	Matel	Plastic	USER	PART NO. CT-SS120000AB2001	
0 ~ 6		0.10	0.10		UNIT: mm	TITLE: GL-PROJECT SS120 Single unit kit
6 ~ 30		0.15	0.15		SCALE: 1/2	
30 ~ 120		0.20	0.25		DRAWN: Ryan 11/13/2015	DWG NO. RF03-03A
120 ~ 300		0.25	0.40		CHECKED: <i>Mingta</i>	
300 ~ 600		0.40	0.60		APPROVED:	SIZE: A3 SHEET 1 OF 5
600 ~ 1200		0.70	0.80			
MATERIAL				1"	 	

REV	DESCRIPTION	APPROVED	DATE
△	NEW		11/13/2015

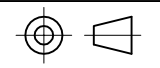


材質：不鏽鋼電著
SS120 支架 1

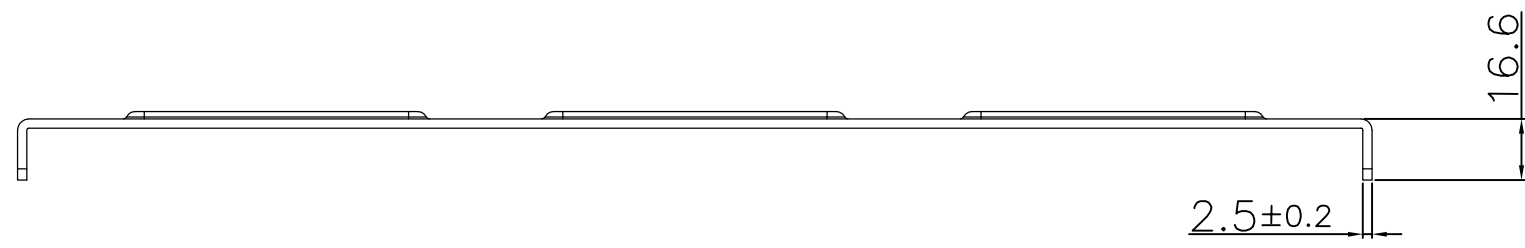
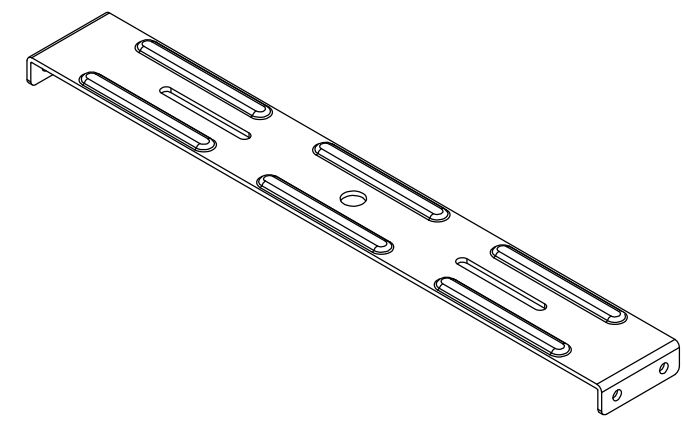
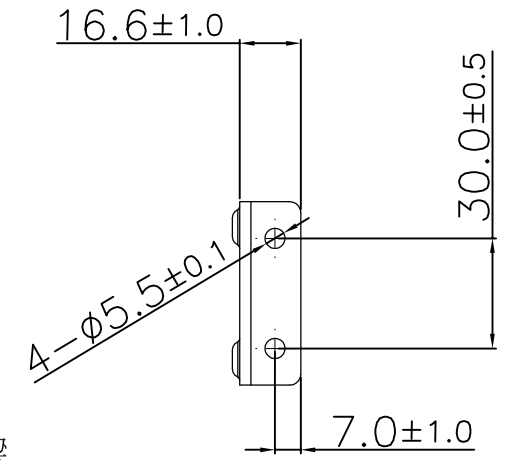
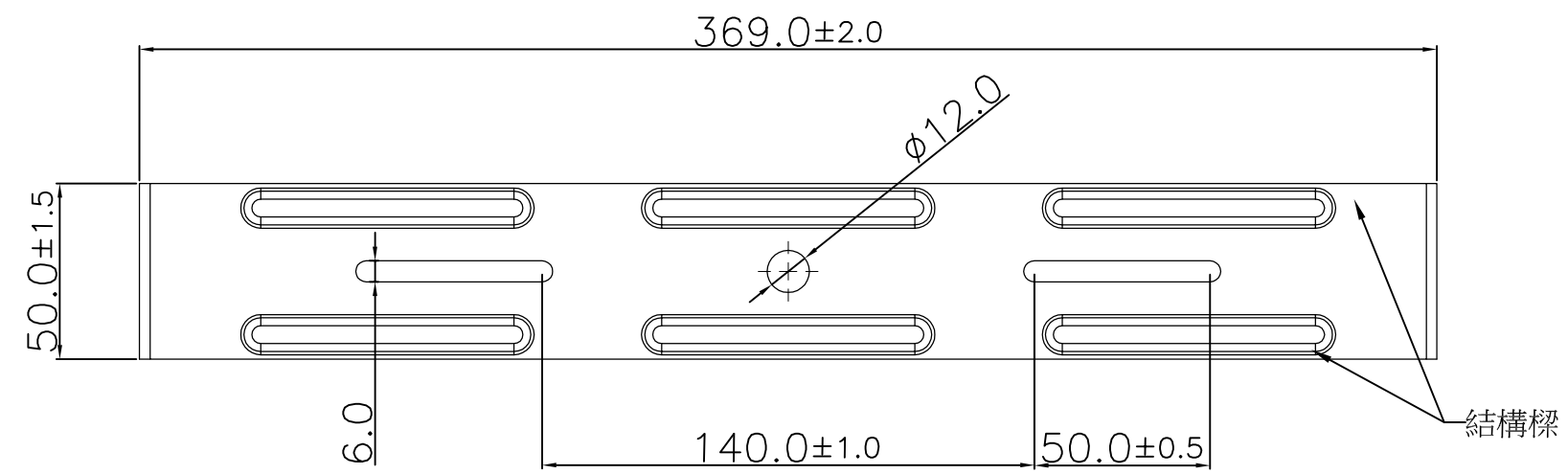
MATERIAL: 不鏽鋼材質			
DIM.	TOL.	Matel	Plastic
0 ~ 6		0.10	0.10
6 ~ 30		0.15	0.15
30 ~ 120		0.20	0.25
120 ~ 300		0.25	0.40
300 ~ 600		0.40	0.60
600 ~ 1200		0.70	0.80
MATERIAL		1"	

Finish 支架-電著, 螺絲-本色	
PART NO. CT-SS120000AB2001	
UNIT:mm	SCALE: 1/2
DRAWN: Ryan 11/13/2015	
CHECKED:	
APPROVED:	

TITLE: GL-PROJECT SS120 Single unit kit	
DWG NO. RF03-03A	
SIZE: A3	SHEET 2 OF 5



REV	DESCRIPTION	APPROVED	DATE
△	NEW		11/13/2015



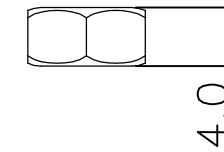
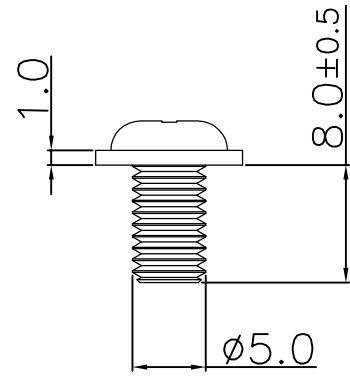
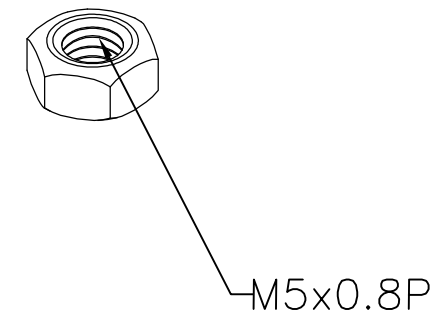
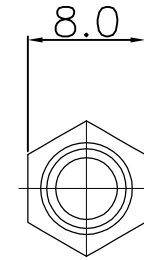
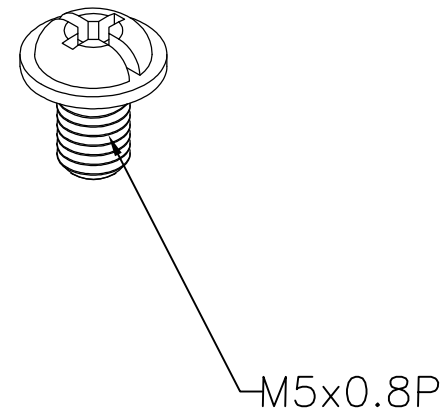
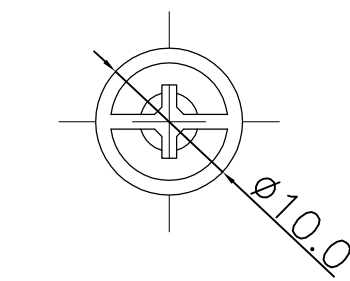
材質：不鏽鋼電著
U型支架

MATERIAL: 不鏽鋼材質			
DIM.	TOL.	Matel	Plastic
0 ~ 6		0.10	0.10
6 ~ 30		0.15	0.15
30 ~ 120		0.20	0.25
120 ~ 300		0.25	0.40
300 ~ 600		0.40	0.60
600 ~ 1200		0.70	0.80
MATERIAL		1"	

Finish 支架-電著, 螺絲-本色	
PART NO. CT-SS120000AB2001	
UNIT: mm	SCALE: 1/2
DRAWN: Ryan 11/13/2015	
CHECKED:	
APPROVED:	

TITLE: GL-PROJECT	
SS120 Single unit kit	
DWG NO. RF03-03A	
SIZE: A3	SHEET 3 OF 5

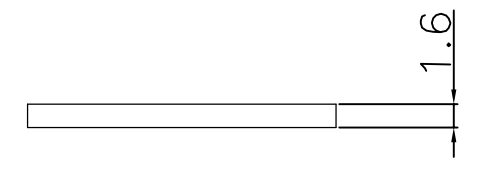
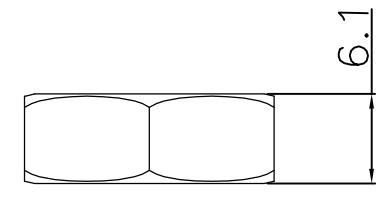
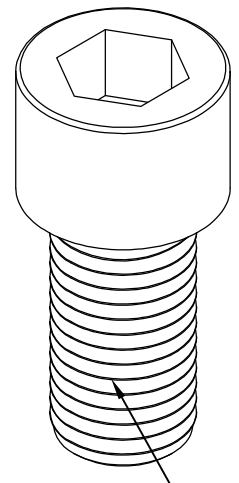
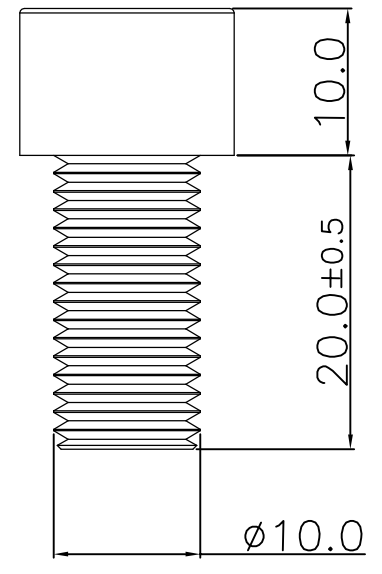
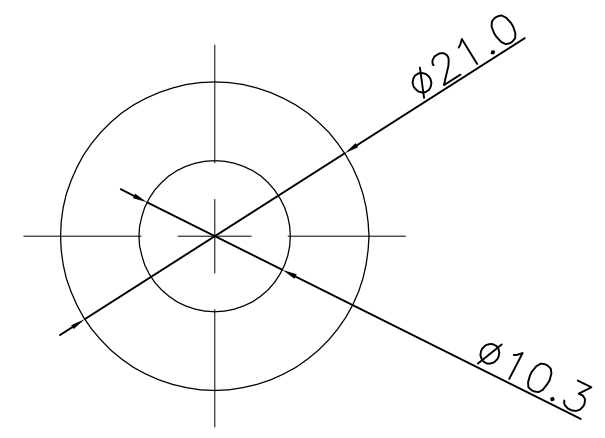
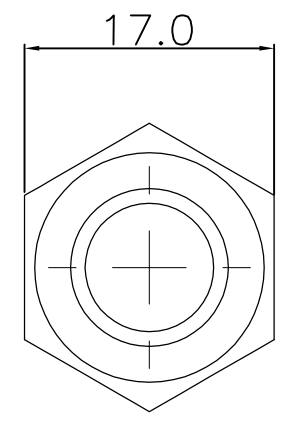
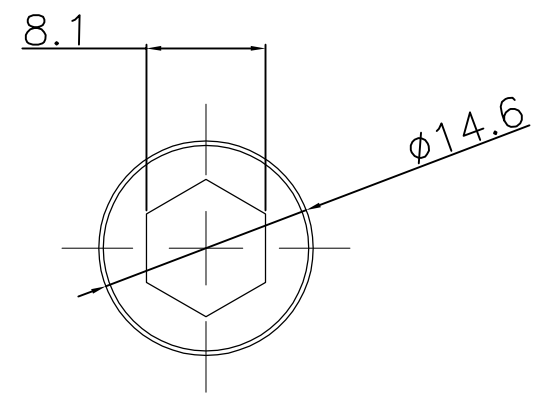
REV	DESCRIPTION	APPROVED	DATE
△A	NEW		11/13/2015



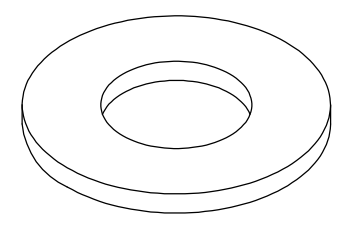
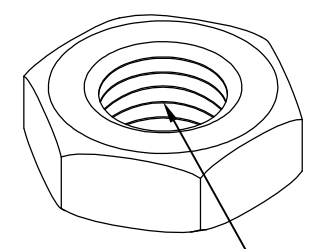
材質：不鏽鋼染黑

MATERIAL: 不鏽鋼材質				Finish 支架-電著, 螺絲-本色																																					
<table border="1"> <thead> <tr> <th>DIM.</th> <th>TOL.</th> <th>Matel</th> <th>Plastic</th> <th>USER</th> </tr> </thead> <tbody> <tr> <td>0 ~ 6</td> <td></td> <td>0.10</td> <td>0.10</td> <td></td> </tr> <tr> <td>6 ~ 30</td> <td></td> <td>0.15</td> <td>0.15</td> <td></td> </tr> <tr> <td>30 ~ 120</td> <td></td> <td>0.20</td> <td>0.25</td> <td></td> </tr> <tr> <td>120 ~ 300</td> <td></td> <td>0.25</td> <td>0.40</td> <td></td> </tr> <tr> <td>300 ~ 600</td> <td></td> <td>0.40</td> <td>0.60</td> <td></td> </tr> <tr> <td>600 ~ 1200</td> <td></td> <td>0.70</td> <td>0.80</td> <td></td> </tr> </tbody> </table>				DIM.	TOL.			Matel	Plastic	USER	0 ~ 6		0.10	0.10		6 ~ 30		0.15	0.15		30 ~ 120		0.20	0.25		120 ~ 300		0.25	0.40		300 ~ 600		0.40	0.60		600 ~ 1200		0.70	0.80		PART NO. CT-SS120000AB2001
DIM.	TOL.	Matel	Plastic	USER																																					
0 ~ 6		0.10	0.10																																						
6 ~ 30		0.15	0.15																																						
30 ~ 120		0.20	0.25																																						
120 ~ 300		0.25	0.40																																						
300 ~ 600		0.40	0.60																																						
600 ~ 1200		0.70	0.80																																						
<table border="1"> <thead> <tr> <th>DIM.</th> <th>TOL.</th> <th>Matel</th> <th>Plastic</th> <th>USER</th> </tr> </thead> <tbody> <tr> <td>0 ~ 6</td> <td></td> <td>0.10</td> <td>0.10</td> <td></td> </tr> <tr> <td>6 ~ 30</td> <td></td> <td>0.15</td> <td>0.15</td> <td></td> </tr> <tr> <td>30 ~ 120</td> <td></td> <td>0.20</td> <td>0.25</td> <td></td> </tr> <tr> <td>120 ~ 300</td> <td></td> <td>0.25</td> <td>0.40</td> <td></td> </tr> <tr> <td>300 ~ 600</td> <td></td> <td>0.40</td> <td>0.60</td> <td></td> </tr> <tr> <td>600 ~ 1200</td> <td></td> <td>0.70</td> <td>0.80</td> <td></td> </tr> </tbody> </table>				DIM.	TOL.	Matel	Plastic	USER	0 ~ 6		0.10	0.10		6 ~ 30		0.15	0.15		30 ~ 120		0.20	0.25		120 ~ 300		0.25	0.40		300 ~ 600		0.40	0.60		600 ~ 1200		0.70	0.80		UNIT: mm	SCALE: 1/2	DRAWN: Ryan 11/13/2015
DIM.	TOL.	Matel	Plastic	USER																																					
0 ~ 6		0.10	0.10																																						
6 ~ 30		0.15	0.15																																						
30 ~ 120		0.20	0.25																																						
120 ~ 300		0.25	0.40																																						
300 ~ 600		0.40	0.60																																						
600 ~ 1200		0.70	0.80																																						
				CHECKED:		DWG NO. RF03-03A																																			
MATERIAL				APPROVED:		SIZE: A3	SHEET 4 OF 5																																		

REV	DESCRIPTION	APPROVED	DATE
△A	NEW		11/13/2015




M10x1.5P



M10x1.5P

材質：不鏽鋼本色

MATERIAL: 不鏽鋼材質				Finish 支架-電著, 螺絲-本色			
				PART NO. CT-SS120000AB2001			
DIM.	TOL.	Matel	Plastic	USER	UNIT: mm	SCALE: 1/2	TITLE: GL-PROJECT
0 ~ 6		0.10	0.10		DRAWN: Ryan 11/13/2015		SS120 Single unit kit
6 ~ 30		0.15	0.15		CHECKED:		DWG NO. RF03-03A
30 ~ 120		0.20	0.25		APPROVED:		SIZE: A3
120 ~ 300		0.25	0.40				SHEET 5 OF 5
300 ~ 600		0.40	0.60				
600 ~ 1200		0.70	0.80				
MATERIAL		1"					