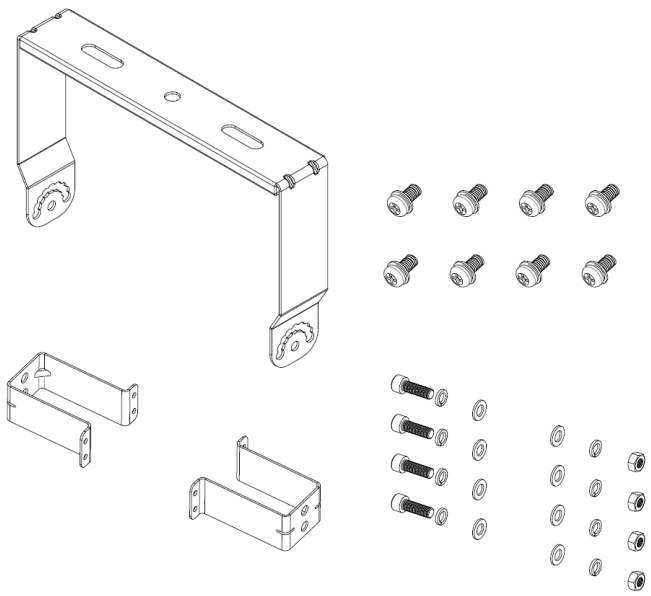
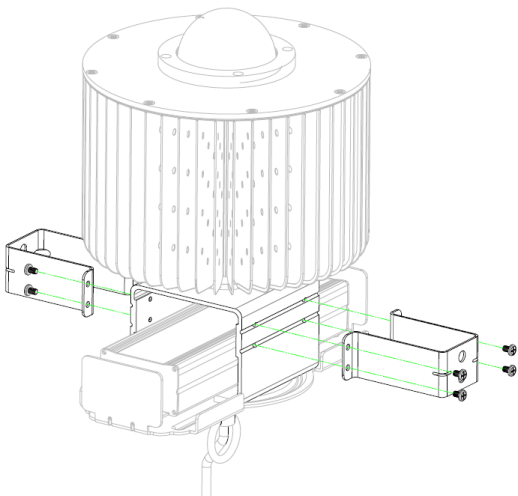
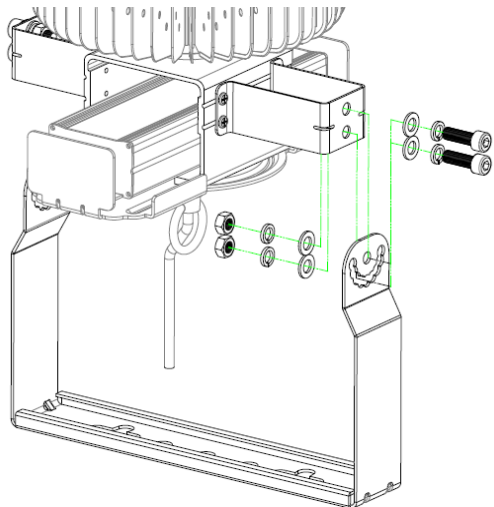
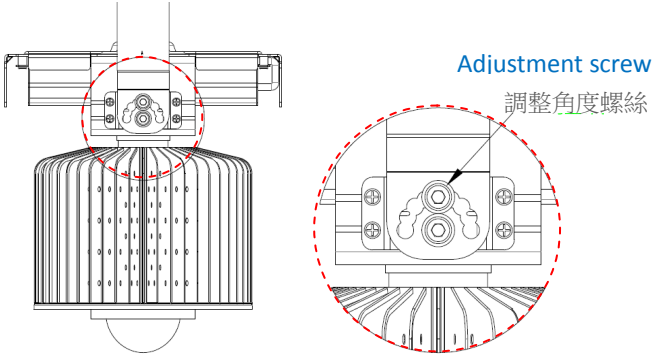


GL-BL Series Brace Accessories

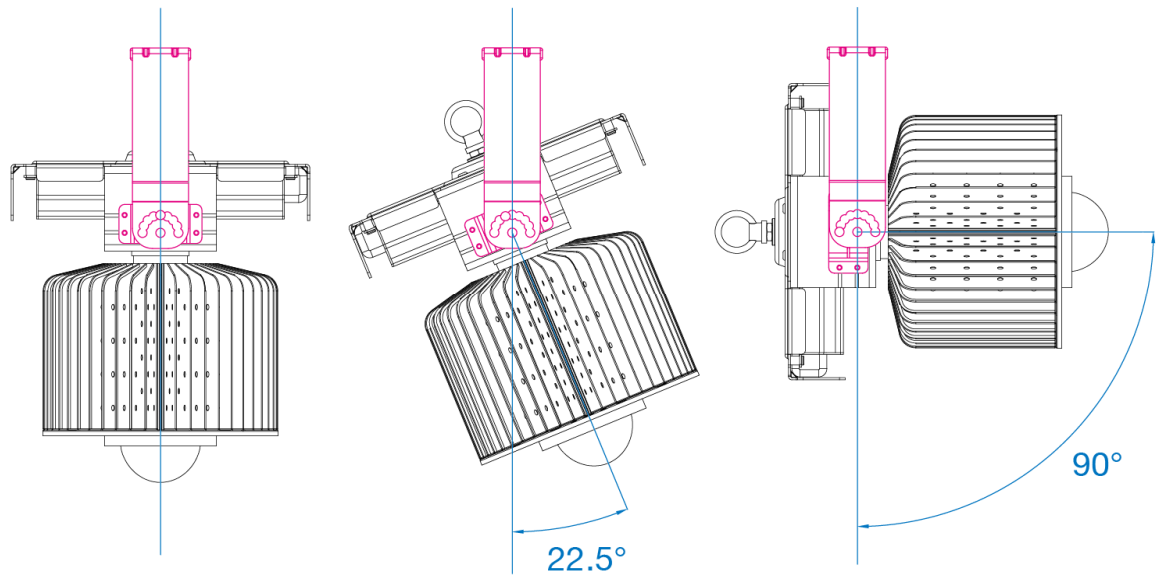
(Part No. AE-BLA90000LK0001)

	<p>步驟一</p> <p>取出支架、螺絲配件</p> <p>∩型支架 x 1</p> <p>Ω 型支架 x 2</p> <p>M4x10 組合螺絲 x 8</p> <p>M8x25 內六角螺絲組合 x 4</p> <p>Step 1.</p> <p>Gather parts for brace assembly.</p> <p>U shape brace x 1</p> <p>Ω shape brace x 2</p> <p>M4x10 screws x 8</p> <p>M8x25 screws with nuts and washers x 4</p>
	<p>步驟二</p> <p>將 Ω 型支架以 M4x10 組合螺絲鎖在電源支架兩側，共兩組。</p> <p>Step 2.</p> <p>Use four M4x10 screws to attach the two Ω-shaped braces to the side of the power holder.</p>
	<p>步驟三</p> <p>將∩型支架以 M8x25 螺絲依序鎖在兩側 Ω 型支架上。</p> <p>Step 3.</p> <p>Use four M8x25 screws to attach the U-shaped brace to the exterior sides of the Ω-shaped braces.</p>



步驟四
依實際應用調整螺絲控制燈具照射方向。

Step 4.
Control the angle of the lighting fixture by adjusting the M8x25 screws according to the application.



The bracket has a maximum adjustment angle of 180 degrees and can be adjusted into 8 different positions, each one 22.5 degrees apart.