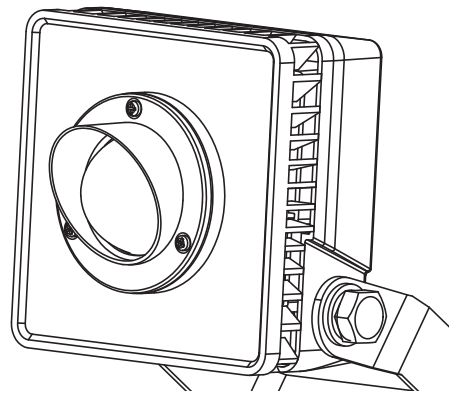


# GL-FL15 / FL35 Series

## Installation of Lens Hood Accessory

Thank you for choosing the FL15 / FL35 Series LED products. Please install and use the products according to the following directions to ensure normal function and operation. Please use stainless screw to fix holder and make sure screwed tightly. Please do not add/remove any electrical components to/from the products or change/tamper the original electrical design without our permission. Please do not add/remove any mechanical components to/from the products or change/tamper the original mechanical design without our permission. If you do not follow these instructions to properly install and use the FL15 / FL35 Series Series, you will not be eligible for warranty compensation or protection. We do not take any responsibility for product damage resulting from improper installation or abnormal usage.



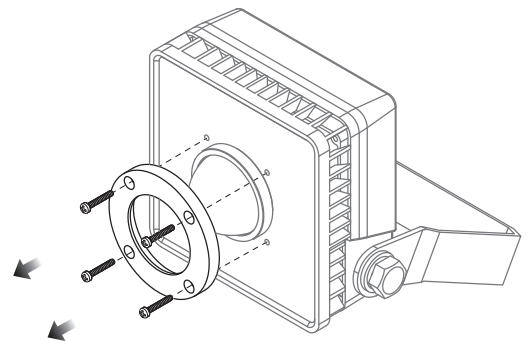
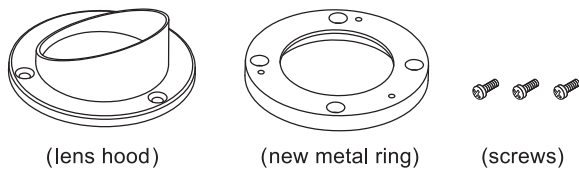
### Steps



Make sure to turn off the power before installing.

#### Step 1.

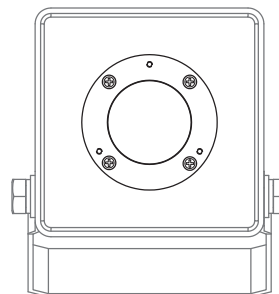
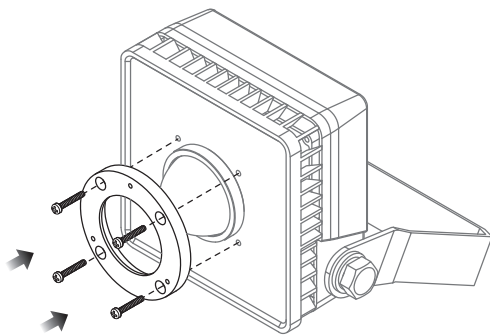
Remove the metal ring from the LED lens.  
(Please keep the four M3x18 screws)



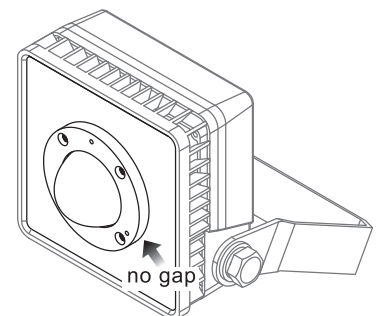
#### Step 2.

Use the four M3x18 screws from step 1 to affix the other metal ring included in the accessory kit. (the new metal ring has three screw holes on it)

#### CAUTION:



Note the direction of the screw holes on the metal ring, as indicated in the picture.



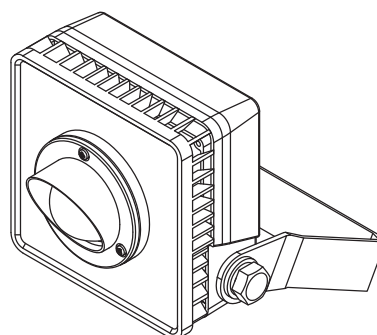
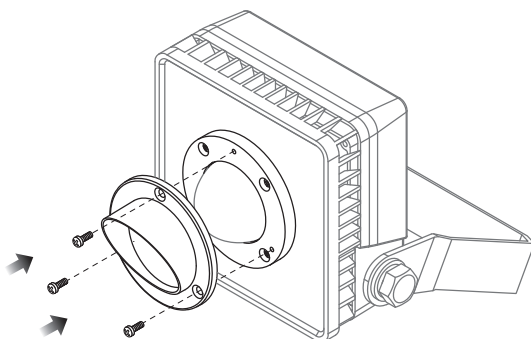
There is no gap between the metal ring and the lighting fixture, improving waterproofing.

#### Step 3.

Use the three M3x18 screws to affix the lens hood on the metal ring.

#### Step 4.

The installation is complete.

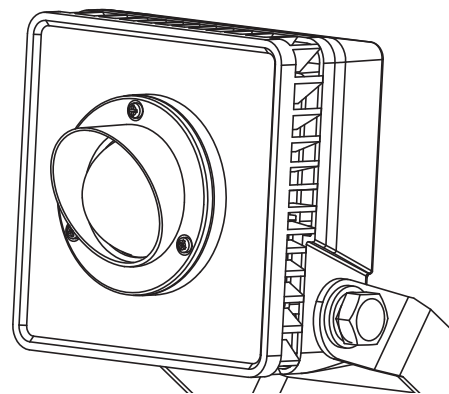


**IP66 BR**



# GL-FL15 / FL35 系列 遮光罩安裝使用說明書

感謝您選擇使用 FL15 / FL35 系列LED燈具。請您依據下列說明指示來安裝本產品，以確保本產品的正常運作。請使用不鏽鋼螺絲固定支架，並確實鎖緊。請勿增加或刪除任何電子元件，未經許可勿更改或修改電氣設計。請勿增加或刪除任何機構元件，未經許可勿更改或修改機構設計。如您未按說明指示妥善安裝以及正常使用FL15 / FL35，您的產品將無法得到正常的保修補償。不正常的安裝與使用所造成的產品損壞，本公司具免責權利。



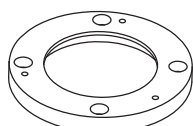
## 安裝指南



安裝前，  
請確實關閉交流電源開關。



(遮光罩)



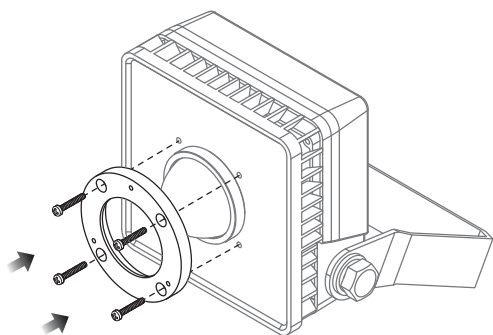
(金屬環)



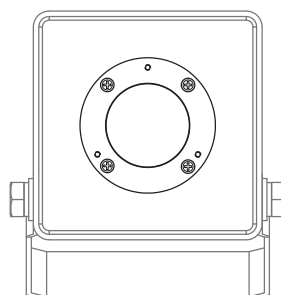
(螺絲)

### 步驟 2.

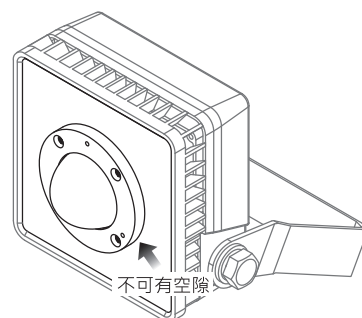
將配件包內金屬環鎖上 (沿用原本M3x18螺絲)



### 注意事項：



注意金屬環上螺紋孔方向

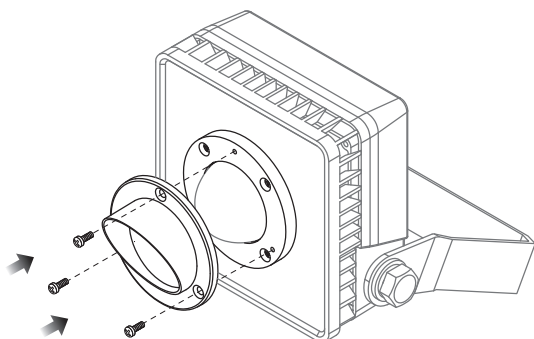


不可有空隙

金屬環與燈具平面不可有空隙，  
這牽涉到防水功能性

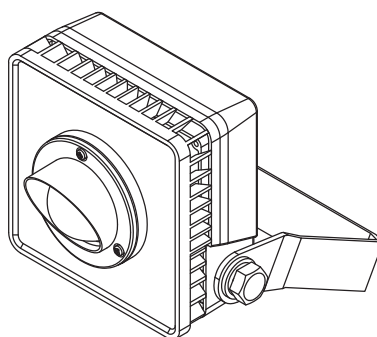
### 步驟 3.

將配件包內遮光罩鎖上 (M3x8螺絲)



### 步驟 4.

完成安裝



**IP66 BR**

