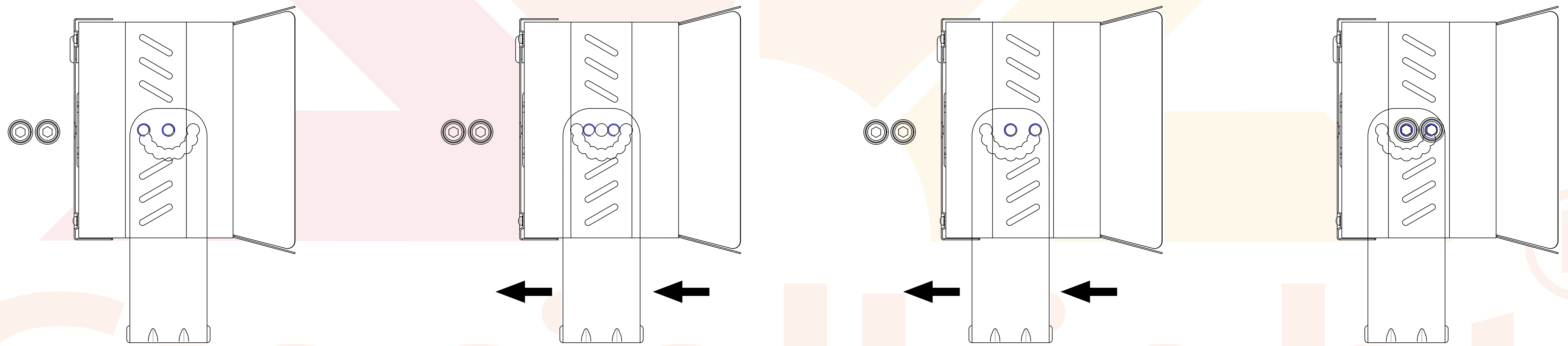
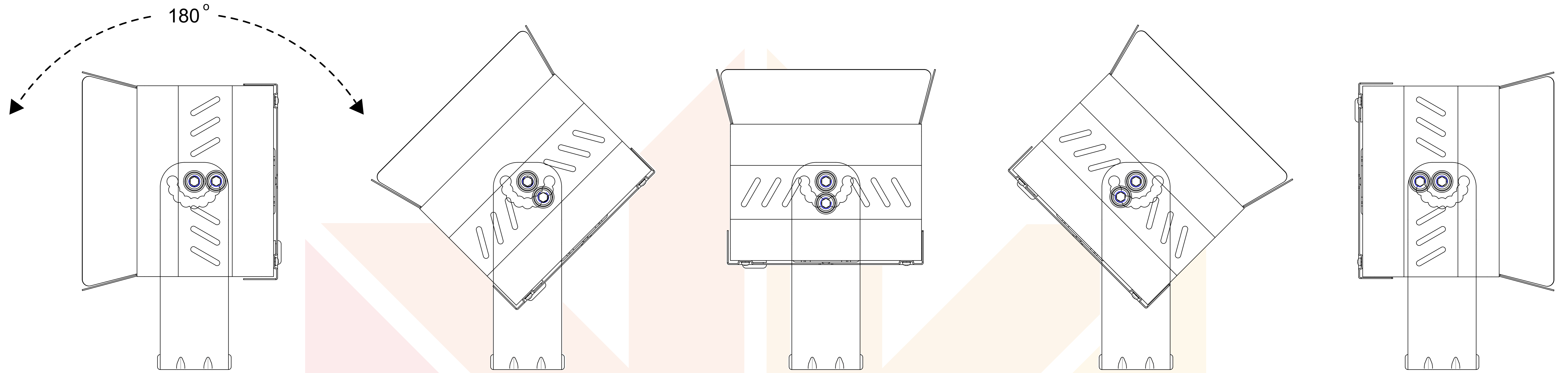


# CoB LED Flood Light – GL-FL55 / FL100 / FL150 – 360 Degrees Rotation



Remove the two screws.

Shift the position of the bracket.

Shift the position of the bracket.

Lock the two screws up.

