

GL-FD30-V2 User's Manual

Thank you for choosing the GL-FD30-V2 series LED products. Please install and use the products according to the following directions to ensure the normal function and proper operation of the products. If not to follow these instructions to properly install and normally use the products, you will not get the warranty-committed compensation or protection. We will not take any responsibility for any product damage caused by improper installation or abnormal usage.



CAUTIONS

1. The warranty period will last for two years since you buy the products. If the product fails or malfunctions under the proper installation and normal usage within the warranty period, please send it back to our company with our RMA approval or contact your local distributors for free repairing or replacing services.
2. Please do not add/remove any electrical components to/from the products or change/tamper the original electrical design without our permission.
3. Please do not add/remove any mechanical components to/from the products or change/tamper the original mechanical design without our permission.
4. Please do not store or use the products in an environment meeting the temperature and humidity conditions designated by the product specifications. Please do not uncover the GL-FD30-V2 series LED products, lest waterproof and dustproof become invalid.
5. To avoid any electrical shock or functional damage, please do not insert any foreign objects into the products.
6. For further information, please contact us.

Please be aware of the correct DC polarity before use.

Installation Steps

Installation procedure should be undertaken by qualified technical personnel.

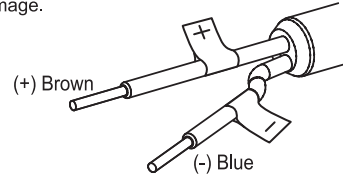
1. Before installation, please turn off the power switch for the existing lamp.



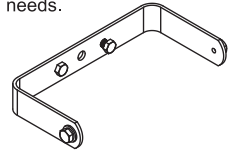
2. Please make sure that both the DC voltage source and the power connector are compatible with the GL-FD30-V2 series LED products. The DC voltage source may be provided by an AC adapter, a DC battery, and so on as long as it meets the specifications.

Power Consumption : 27W
Input Voltage : 11-15V DC / 22-30V DC
Input Current (Max) : 4A@11V DC / 2A@22V DC

3. The GL-FD30-V2 series LED products feed only on a DC voltage source having an appropriate output voltage designated by the product specifications. Please connect respectively the Brown (+) and Blue (-) wires/terminals at the rear side of the GL-FD30-V2 series LED products to the Positive (+) and Negative (-) wires/terminals of the DC voltage source. It depends on the model in use that the Brown (+) and Blue (-) wires may be not screwed or screwed internally onto a terminal block. Misusing an inappropriate voltage source or reversing the correct voltage polarity may lead to product damage.



4. Screw the LED fixture tight onto a wall or a stand and adjust the angle in accordance with individual needs.



5. Please plug the unit into an appropriate power socket and turn the power on. If the lamp does not work, please repeat steps 1-4 until it does work.

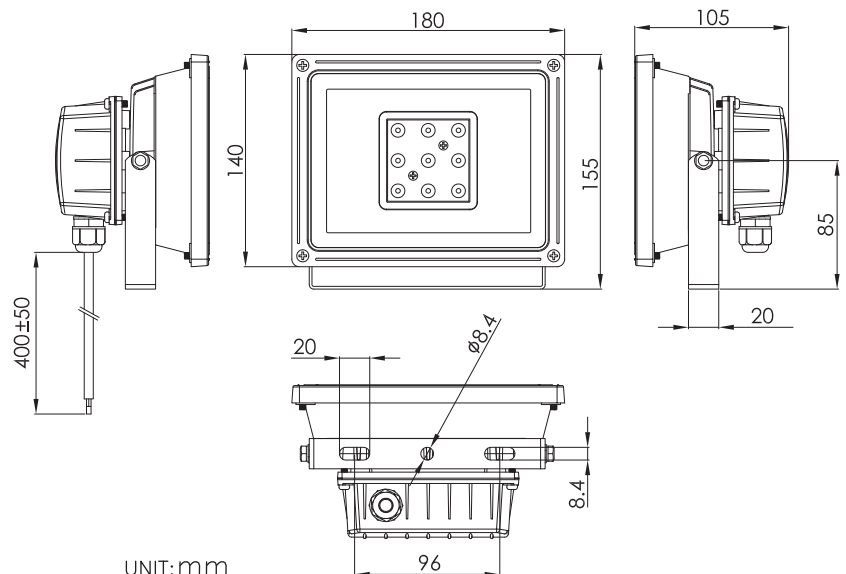
Notices

1. Do not change or tamper with any internal electric circuits or add in any wires or cables for any reason.
2. Do not change the mechanical design, circuit specifications, or components; do not add any other devices as this may cause the product to short circuit or may create other unforeseen risks.
3. Keep the lamp set in a dry environment in order to avoid any electricity leakage.
4. To avoid electrical shocks and possible malfunction, please do not insert objects of any nature into the LED product.
5. Do not touch while the lamp is on. For any maintenance or replacement, switch off the power and wait for 30 minutes to let the lamp cool down.
6. For further information, please contact with us.

Specifications

Type	GL-FD30-V2-WW	GL-FD30-V2-CW
Energy Used	27W	
Rated Life	30,000 Hours	
Input Voltage	11-15V DC / 22-30V DC	
Input Current (Max.)	4A@11V DC / 2A@22V DC	
CCT (color)	3000K	5700K
Luminous Flux	1570lm	1900lm
Luminous Efficacy	58lm/W	70lm/W
CRI (Typ.)	85	70
Beam Angle	30° / 60°	
Dimension	180 x 140 x 105 mm	
IP Rating	IP66	
Operation Temperature	20°C ~ +40°C	
Net Weight	1.2 kg	

GL-FD30-V2 Outlook



UNIT: mm

