

# LED Down Light High Color Quality, CRI Min. 90 GL-DL06LD Series DC Input

Bundled Driver :  
GP-LD10-30C



## ■ Features

- CRI (Minimum) 90.
- CQS (Typ.) 91.
- TM-30-15 Rf (Typ.) 92.
- TM-30-15 Rg (Typ.) 99.
- The GL-DL06LD for indoor applications.
- DC input.
- 10W energy consumption.
- Energy efficient and preventing possible energy waste.
- All-in-one bulb and fixture.
- Directly compatible with 12V and 24V solar panels.
- Slim, compact and fashionable design.
- Very low power consumption; No UV or IR radiation.
- Bundled driver with OVP/SCP/UVLO functions.
- Passed IEC 60598-1(2008) 、 IEC 60695-2-11 850°C glow wire test (optional).



## ■ Specifications

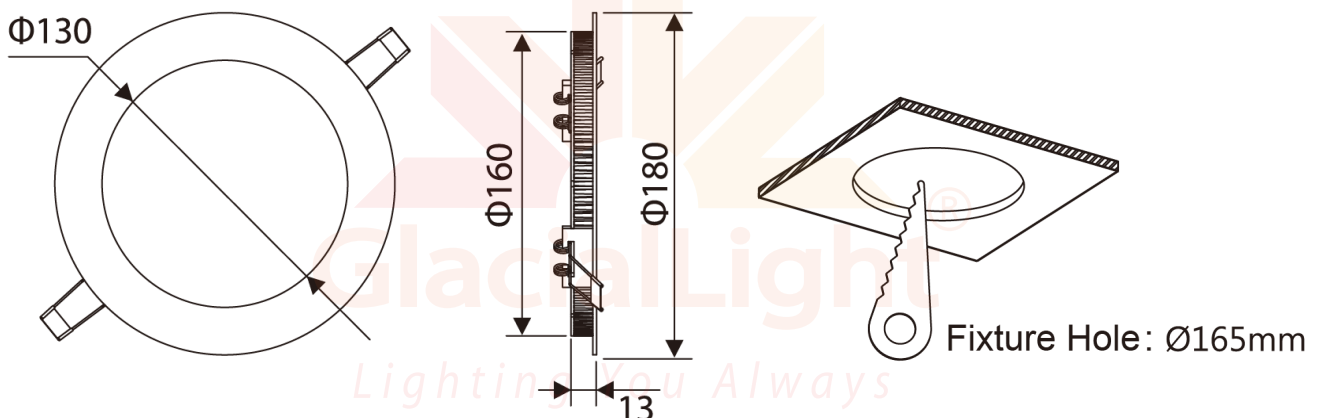
### GL-DL06LD (DC input)

| Type                  | GL-DL06LD-CW  |
|-----------------------|---|
| Energy Used           | 10W   |
| Rated Life            | 30,000 Hours  |
| Input Voltage         | 11-15V DC / 22-30V DC   |
| CCT (color)           | 6000K   |
| Luminous Flux         | 820 lm  |
| System Efficacy       | 82 lm/W   |
| CRI (Minimum)         | 90  |
| CQS (Typ.)            | 91  |
| TM-30-15 Rf (Typ.)    | 92  |
| TM-30-15 Rg (Typ.)    | 99  |
| Beam Angle            | 110°  |
| Dimension             | Φ 180 x 13mm  |
| IP Rating             | IP50  |
| Operation Temperature | -20°C ~ +40°C   |
| Bundled Driver        | GP-LD10-30C<br>(Driver Output : Constant Current 350mA, 16-30V) |
| Net. Weight           | 410g (with driver)  |
| Package               | 10 Boxes / Carton   |
| Fixture Hole          | Φ 165 mm  |

\* All specifications apply to the fixture assembly as a whole.

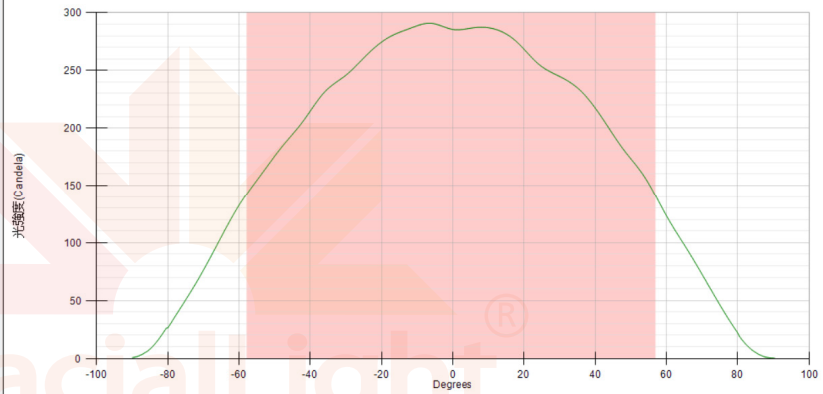
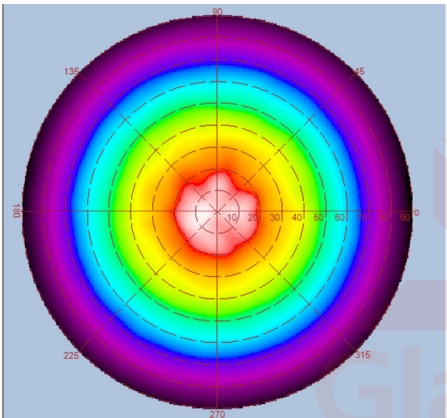
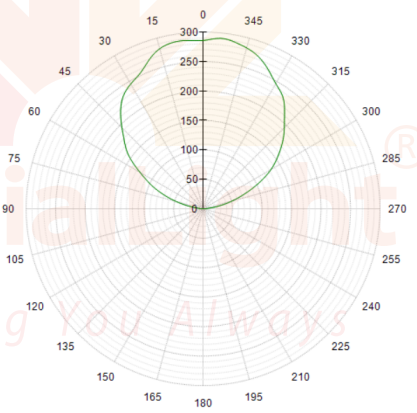
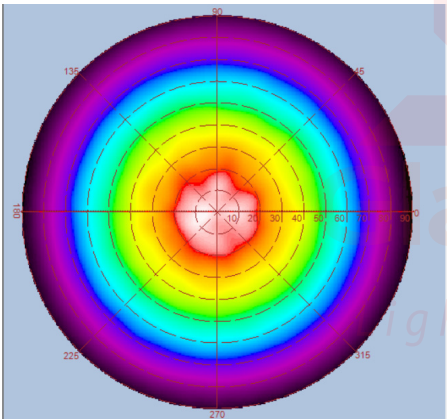
Due to the slight variations in the testing environment such as differences in ambient temperature or test equipment calibration, specifications are statistical reference values and may not match the actual technical parameters of an individual product.

## ■ Outline / Dimension



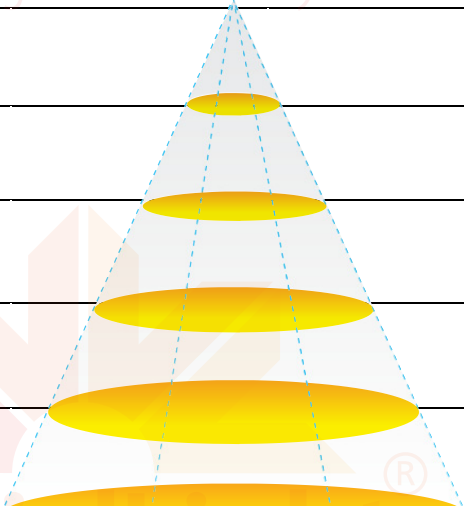
## ■ Luminous Intensity Distribution Diagram

GL-DL06 -CW/ CCT : 6000K



Lighting You Always

| Height | E Avg. | E Max. | Diameter |
|--------|--------|--------|----------|
| 1.0M   | 146 Lx | 333 Lx | 305 cm   |
| 2.0M   | 35 Lx  | 76 Lx  | 610 cm   |
| 3.0M   | 14 Lx  | 33 Lx  | 915 cm   |
| 4.0M   | 7 Lx   | 18 Lx  | 1220 cm  |
| 5.0M   | 5 Lx   | 11 Lx  | 1525 cm  |



Lighting You Always