

LED Down Light High Color Quality, CRI Min. 90
GL-DL06D Series *dimming function*



■ **Features**

- CRI (Minimum) 90.
- CQS (Typ.) 91.
- TM-30-15 Rf (Typ.) 92.
- TM-30-15 Rg (Typ.) 99.
- Slim and low profile design.
- For indoor use only.
- Power usage of only 10.5W.
- 3-in-1 dimming and AC-TRIAC dimming functions available.
- 6x longer lifespan than fluorescent lamps: 30,000 hours.
- RoHS compliant, No Mercury, IR or UV light radiation.
- Bundled driver with PFC and OTP/SCP functions.
- 2 year manufacturer's warranty.
- Passed IEC 60598-1(2008) 、 IEC 60695-2-11 850°C glow wire test (optional).



■ Specifications

GL-DL06Dx (AC-TRIAC Dimmable)

Type	GL-DL06DL-CW GL-DL06DH-CW
Energy Used	10.5W
Rated Life	30,000 Hours [®]
Input Voltage	100-120V AC (GL-DL06DL) 200-240V AC (GL-DL06DH)
Power Factor (PF)	0.8 at 120V AC; 0.7 at 240V AC (without dimmer)
CCT (color)	6000K
Luminous Flux	820 lm
System Efficacy	78 lm/W
CRI (Minimum)	90
CQS (Typ.)	91
TM-30-15 Rf (Typ.)	92
TM-30-15 Rg (Typ.)	99
Beam Angle	110°
Dimension	Φ 180 x 13mm [®]
IP Rating	IP50
Operation Temperature	-20°C ~ +40°C
Bundled Driver	GP-TS10P-30L (for AC-TRIAC 100-120V AC) GP-TS10P-30H (for AC-TRIAC 200-240V AC) (Driver Output : Constant Current 350mA, 15-30.5V)
Net. Weight	450g (with driver)
Package	10 Boxes / Carton
Fixture Hole	Φ 165 mm

* All specifications apply to the fixture assembly as a whole.

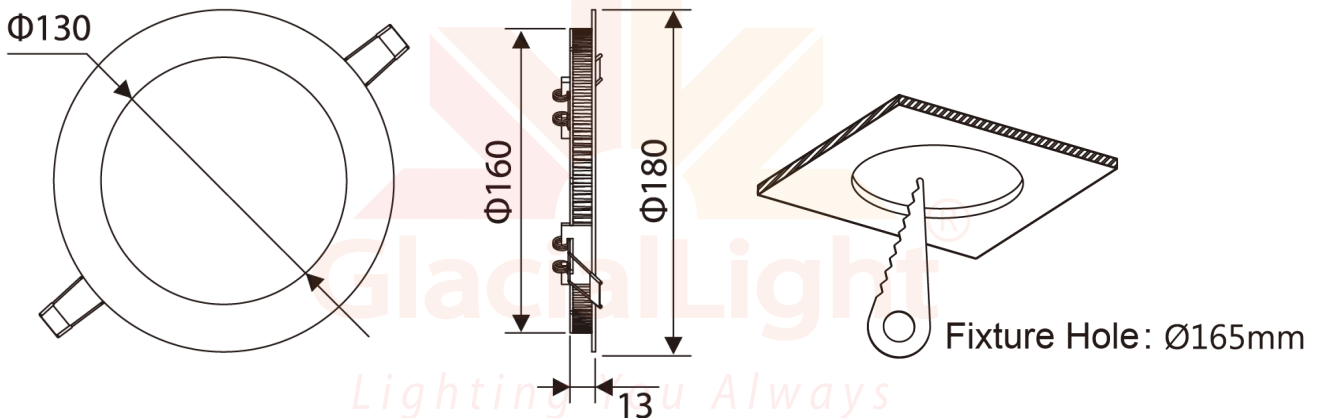
Due to the slight variations in the testing environment such as differences in ambient temperature or test equipment calibration, specifications are statistical reference values and may not match the actual technical parameters of an individual product.

■ Specifications

GL-DL06A (DC- Dimmable 1-10V/ PWM/ Resistor)

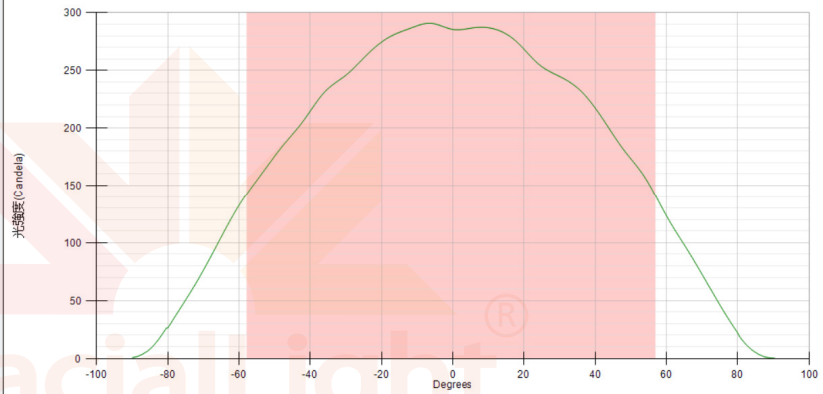
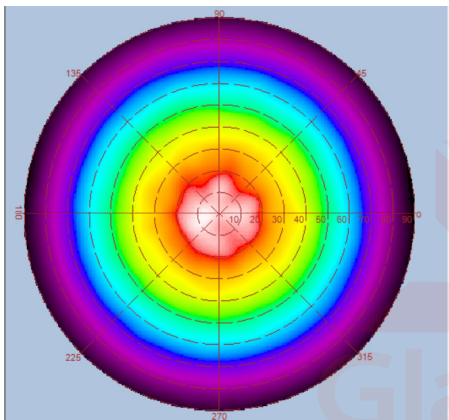
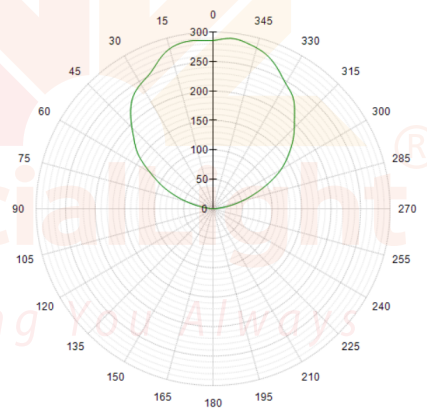
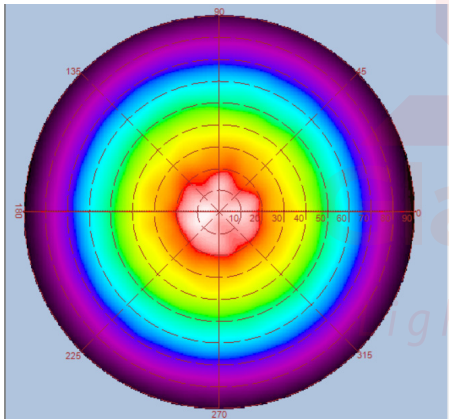
Type	GL-DL06DA-CW
Energy Used	10.5W
Rated Life	30,000 Hours
Input Voltage	100-120V AC (GL-DL06DL) 200-240V AC (GL-DL06DH)
Power Factor (PF)	0.88 at 120V AC; 0.8 at 240V AC (without dimmer)
CCT (color)	6000K
Luminous Flux	820 lm
System Efficacy	78 lm/W
CRI (Minimum)	90
CQS (Typ.)	91
TM-30-15 Rf (Typ.)	92
TM-30-15 Rg (Typ.)	99
Beam Angle	110°
Dimension	Φ 180 x 13mm
IP Rating	IP50
Operation Temperature	-20°C ~ +40°C
Bundled Driver	GP-HS10P-36CA (for 1-10V/PWM/Resistor) (Driver Output : Constant Current 350mA, 36V)
Net. Weight	450g (with driver)
Package	10 Boxes / Carton
Fixture Hole	Φ 165 mm

■ Outline / Dimension



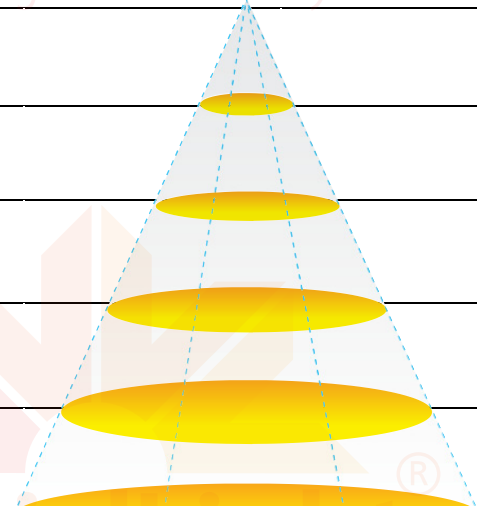
■ Luminous Intensity Distribution Diagram

GL-DL06 -CW/ CCT : 6000K



Lighting You Always

Height	E Avg.	E Max.	Diameter
1.0M	146 Lx	333 Lx	305 cm
2.0M	35 Lx	76 Lx	610 cm
3.0M	14 Lx	33 Lx	915 cm
4.0M	7 Lx	18 Lx	1220 cm
5.0M	5 Lx	11 Lx	1525 cm



Lighting You Always