

# GL-BL190 User's Manual

Thank you for choosing the GL-BL190 LED products.

Please install and use the products according to the following directions to ensure normal function and operation.

Please use stainless screw to fix holder and make sure screwed tightly.

Please do not add/remove any electrical components to/from the products or change/tamper the original electrical design without our permission.

Please do not add/remove any mechanical components to/from the products or change/tamper the original mechanical design without our permission.

If you do not follow these instructions to properly install and use the GL-BL190, you will not be eligible for warranty compensation or protection.

We do not take any responsibility for product damage resulting from improper installation or abnormal usage.



## Installation Steps

The set up process should be executed by qualified (Certified) engineers.

**Before installation, please turn off the power switch.**

### Step 1.

Use a Phillips screwdriver and two 8#-32 screws to secure the mounting plate to the junction box.

### Step 2.

Lock one end of the safety chain to the ceiling mount.

### Step 3.

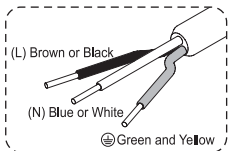
3-1 Hook the other end of the safety chain into the ring on the top of the lighting fixture.

3-2 Secure the steel wire firmly to the ceiling.

### Step 4.

Connect the fixture's power cables to their corresponding colors of the power source and entwine together. Connect the grounding line to the grounding screw of the grounding devices or mounting plate.

⊕ Grounding line should be fixed perpetually and not allow to disconnect.

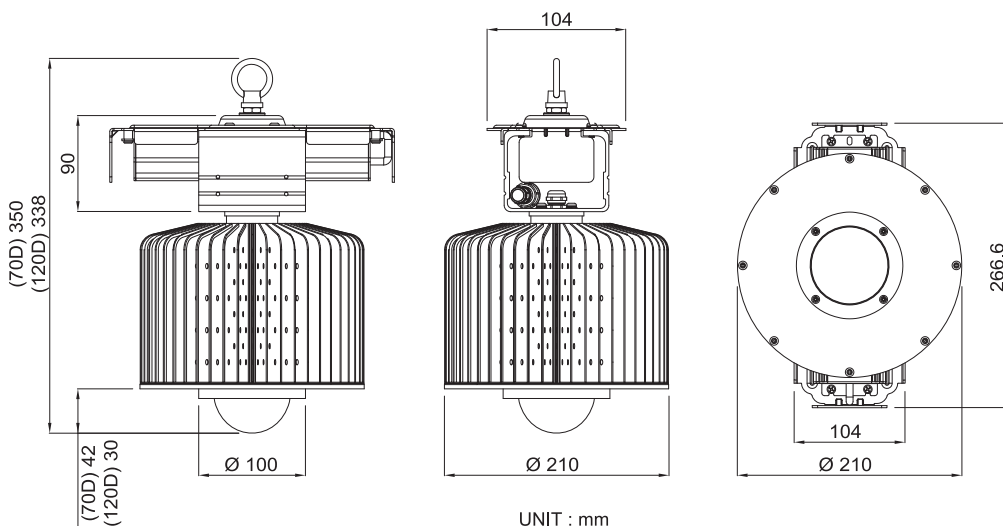


### Step 5.

Secure the ceiling mount's cover by screwing the 3/16 nut tight, followed by screwing the 3/16 semi-circular nut tight.

⚠ To ensure the IP certification, please make sure the screws are firmly installed.

## GL-BL190 Outlook



## Notices

1. Avoiding improper use to exceed the criterion limitation of lamp operation temperature.
2. Allow lamp to cool before replacing.
3. Not suitable for dimming function.

## CAUTIONS

1. If the external flexible cable or cord of this luminaire is damaged, it shall be exclusively replaced by the manufacturer or his service agent or a similar qualified person in order to avoid a hazard.
2. Prior to installation, remove the AC power.

IP66 BR



# GL-BL190 使用手冊

感謝您選擇使用 GL-BL190 LED 燈具。

請您依據下列說明指示來安裝本產品，以確保本產品的正常運作。

請使用不鏽鋼螺絲固定支架，並確實鎖緊。

請勿增加或刪除任何電子元件，未經許可勿更改或修改電氣設計。

請勿增加或刪除任何機構元件，未經許可勿更改或修改機構設計。

如您未按說明指示妥善安裝以及正常使用 GL-BL190 燈具，您的產品將無法得到正常的保修補償。

不正常的安裝與使用所造成的產品損壞，本公司具免責權利。



## 安裝指南

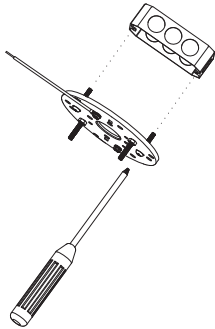
安裝流程應由合格的技術人員進行

安裝前，請確實關閉  
交流電源開關



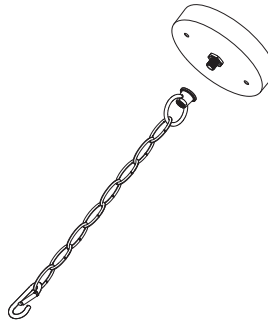
### 步驟 1.

使用十字螺絲起子，將固定板上的2顆  
8#-32螺絲，鎖固在接線盒。



### 步驟 2.

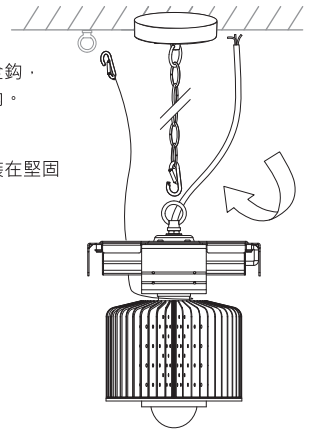
將鍊條一端的吊環，鎖固於圓蓋上。



### 步驟 3.

3-1.  
將鍊條一端的安全鉤，  
鉤入燈具的吊環內。

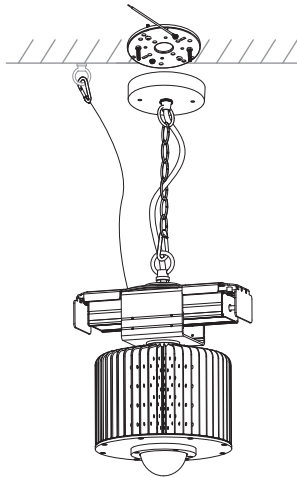
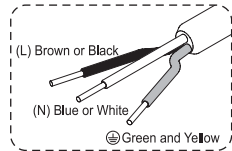
3-2.  
請確實將鋼繩安裝在堅固  
的天花板上。



### 步驟 4.

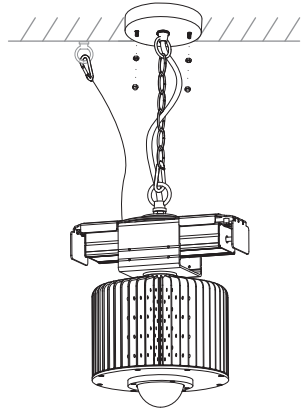
依照電源線的顏色配接，地線分別接到  
固定板上的地線螺絲。

⊕ 接地線應永久固定連接，不可斷開。



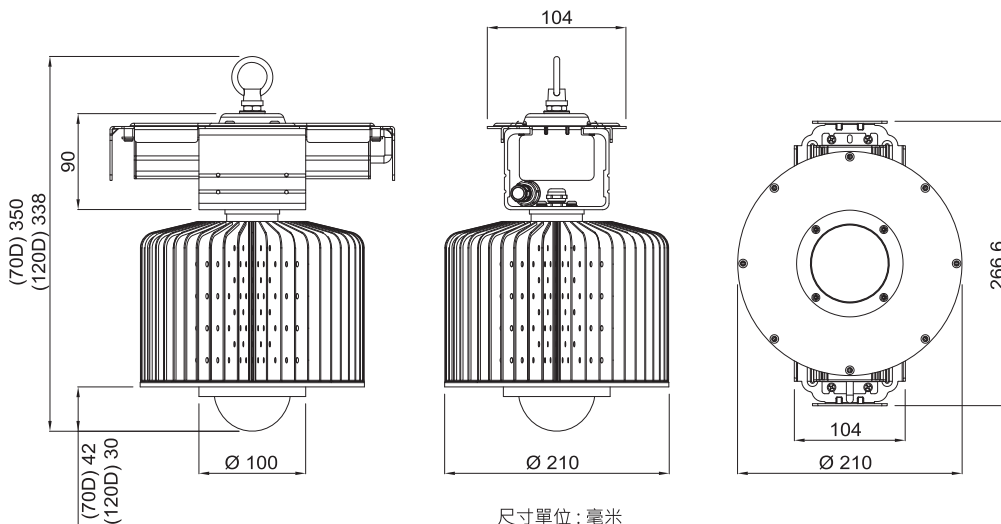
### 步驟 5.

將飾板蓋上，並將3/16螺母鎖固，再將  
3/16半圓螺母鎖固。



▲ 為確保IP認證，  
請確實將螺絲  
安裝牢固。

## GL-BL190外觀



## 燈具使用注意事項

1. 避免使用超過燈具工作溫度標準外。
2. 請燈具冷卻之後再進行更換。
3. 不適合調光功能。

## 警告

1. 如果燈具外部纜線有損壞，應當由製造商、代理商或符合資格的施工人員做更換，以避免危險。
2. 安裝前，請確實關閉交流電源。

IP66 BR



©2016 GlacialTech Inc. 版權所有 翻印必究  
本說明書內容如有變更恕不另行通知。  
欲瞭解更多資訊，請參閱官方網站：[www.GlacialLight.com](http://www.GlacialLight.com)



17-BLA9S00001