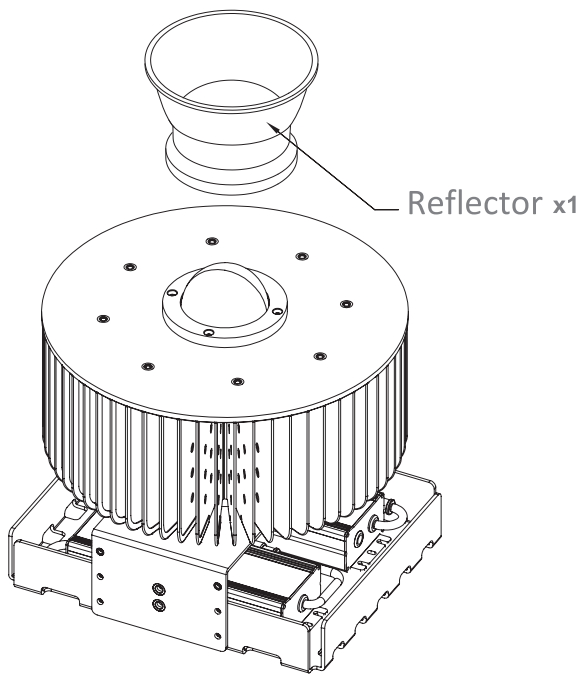


Lux Enhancer (Tulip I) User's Manual

Thank you for choosing the Lux Enhancer products. Please install and use the products according to the following directions to ensure normal function and operation. Please use stainless screw to fix holder and make sure screwed tightly. If you do not follow these instructions to properly install and use the Lux Enhancer, you will not be eligible for warranty compensation or protection. We do not take any responsibility for product damage resulting from improper installation or abnormal usage.

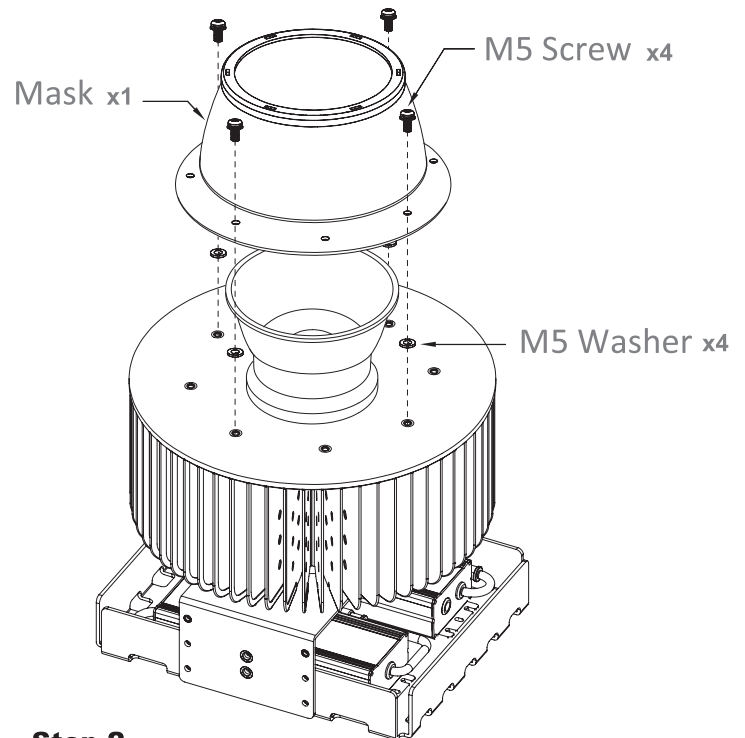


Installation Steps



Step 1.

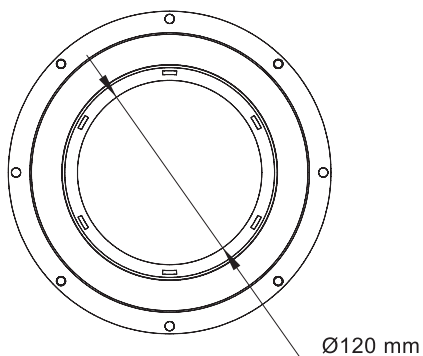
Center the reflector over the LED.



Step 2.

Install the Mask on the lighting fixture using the M5 screws and washers in the order shown Installation complete.

Lux Enhancer Outlook



CAUTIONS

1. If the external flexible cable or cord of this luminaire is damaged, it shall be exclusively replaced by the manufacturer or his service agent or a similar qualified person in order to avoid a hazard.
2. Prior to installation, remove the AC power and wait the luminaire cools down.

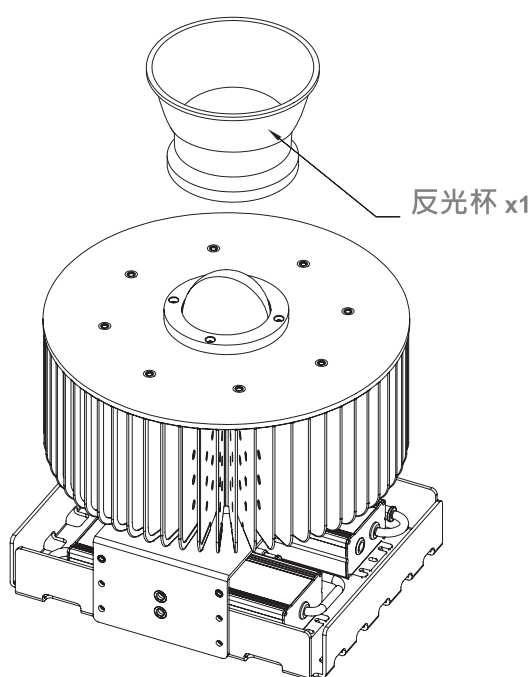


照度增強器 (鬱金香一號) 使用手冊

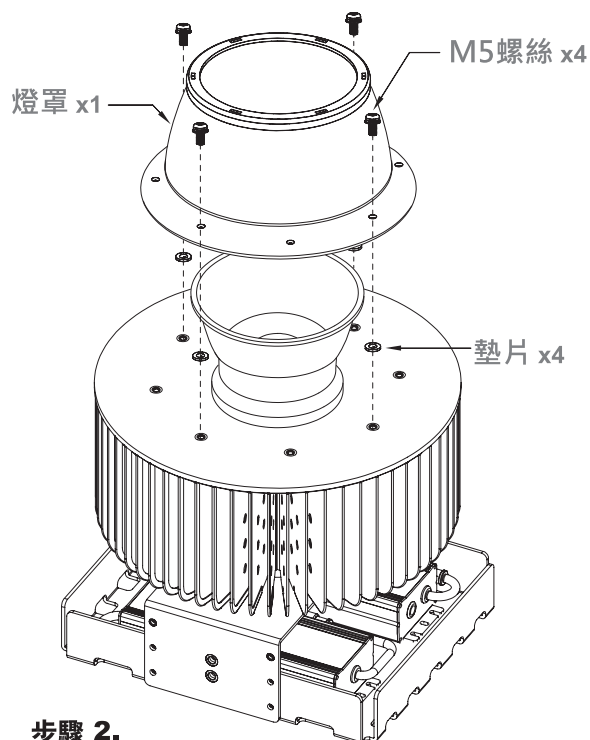
感謝您選擇使用照度增強器。請您依據下列說明指示來安裝本產品以確保本產品的正常運作。請勿增加或刪除任何電子元件，未經許可勿更改或修改電氣設計。如您未按說明指示妥善安裝以及正常使用，您的產品將無法得到正常的保修補償。不正常的安裝與使用所造成的產品損壞，本公司具免責權利。



安裝指南

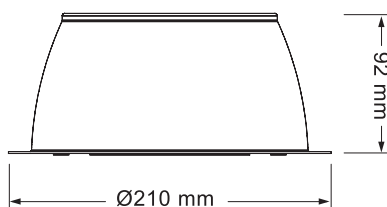
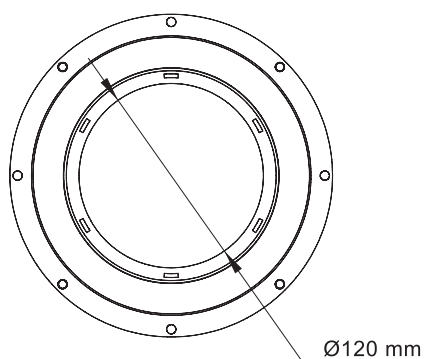


步驟 1.
將反光杯放置於燈具光源正中心。



步驟 2.
將燈罩以 M5 螺絲及墊片鎖在燈具。
即完成組裝。

Lux Enhancer 外觀



警告

1. 如果燈具外部纜線有損壞，應當由製造商、代理商或符合資格的施工人員做更換，以避免危險。
2. 安裝前，請確實關閉交流電源，待燈具冷卻後再進行更換。

