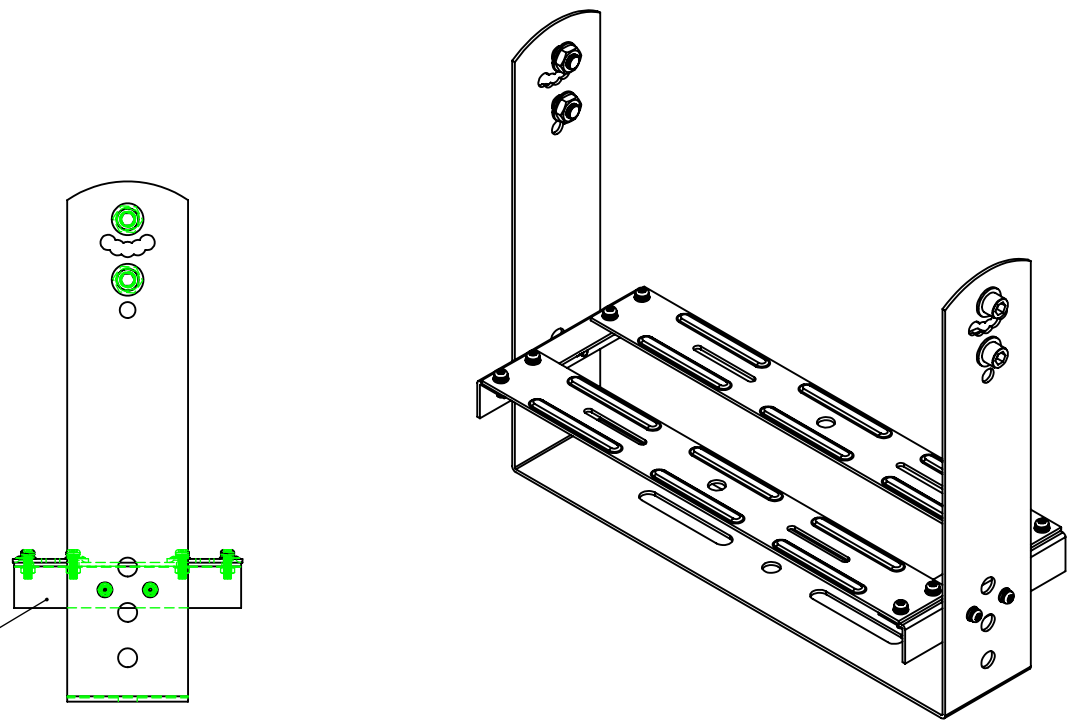


item no.	drawing no.	description	qty
1	SS400-01 A	U Type Bracket for SS400 Single Unit Kit	1
2	SS400-02 A	Driver Bracket for SS400 Single Unit Kit	2
13	SS80P-23 B	Driver Bridge	2
3	SS80P-04 A	M5-12L screw	12
7	SS80P-06 A	M10-20L screws	4



	MET.SPEC.	UNSPECIFIED TOL'S X.XX±0.10 XX.XX±0.20 XXX.XX±0.25 ANGULAR±1.00°	MODEL NO: SS400
	APPROVED BY	2018/4/3	UNIT mm
	CHECKED BY	2018/4/3	SCALE 1:5
	DESIGN BY	2018/4/3	SIZE A4
	DRAWN BY Justin	2018/4/3	DRAWING NAME SS400 Single Unit Kits SS400一對一支架總成圖
			DRAWING NO. RF03-28
			REV A
			SHEET 1/1

MARK	DESCRIPTION	DATE	APPROVED
2			
1			
REVISION			

D

D

A

A

B

B

C

C

1

2

3

4

5

6

1

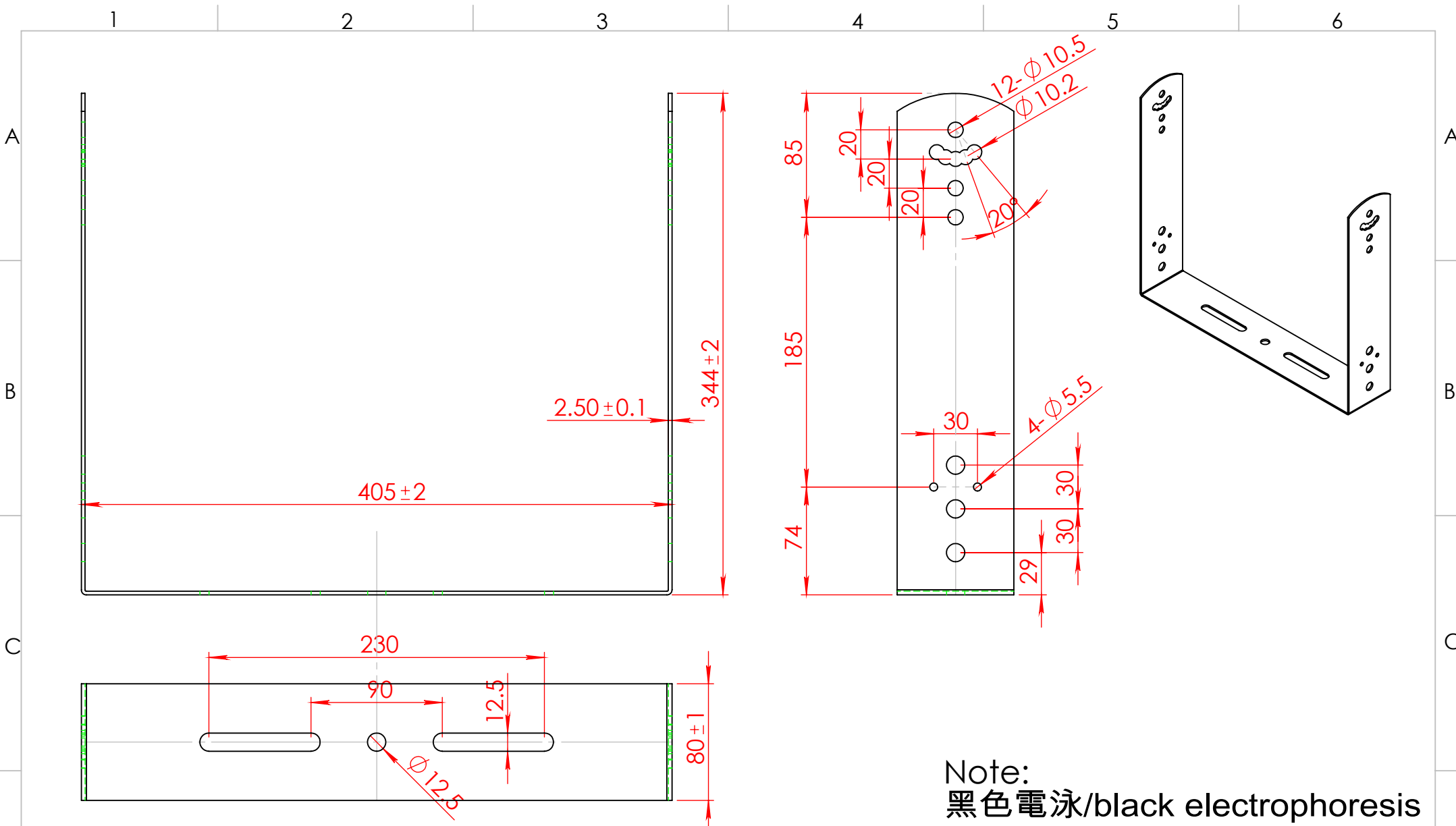
2

3



4

5

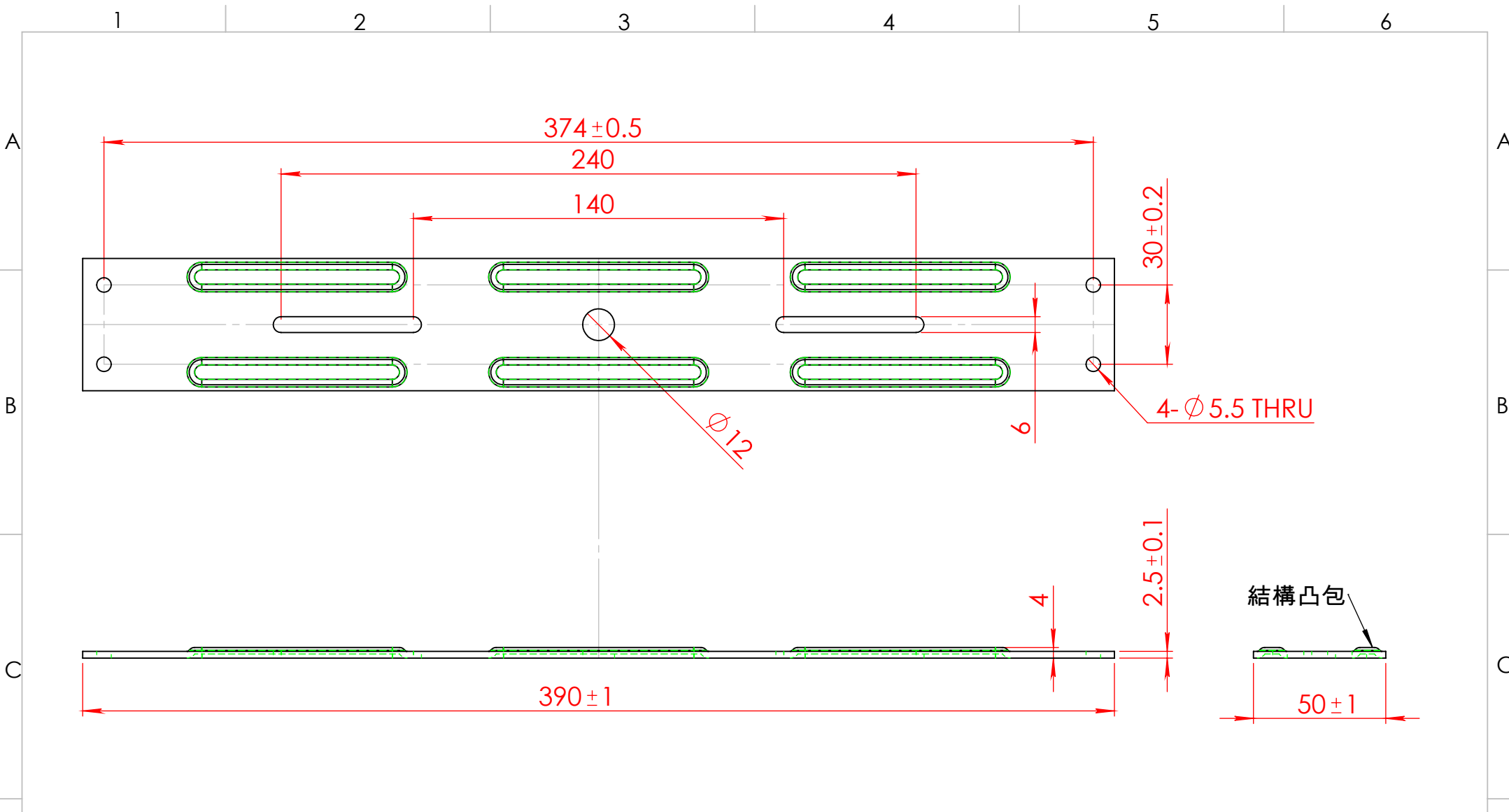
6




Note:
黑色電泳/black electrophoresis

 GlacialTech INC		MET.SPEC. SUS201 $t=2.5\text{mm}$	UNSPECIFIED TOL'S X.XX \pm 0.10 XX.XX \pm 0.20 XXX.XX \pm 0.25 ANGULAR \pm 1.00°	MODEL NO: SS400
APPROVED BY		2018/4/3	UNIT mm	DRAWING NAME
CHECKED BY		2018/4/3		U Type Bracket for SS400 Single Unit Kit
DESIGN BY		2018/4/3	SCALE 1:3.5	SS400 一對一 U型支架
DRAWN BY	Justin	2018/4/3	SIZE A4	DRAWING NO. SS400-01
				REV A
				SHEET 1/1

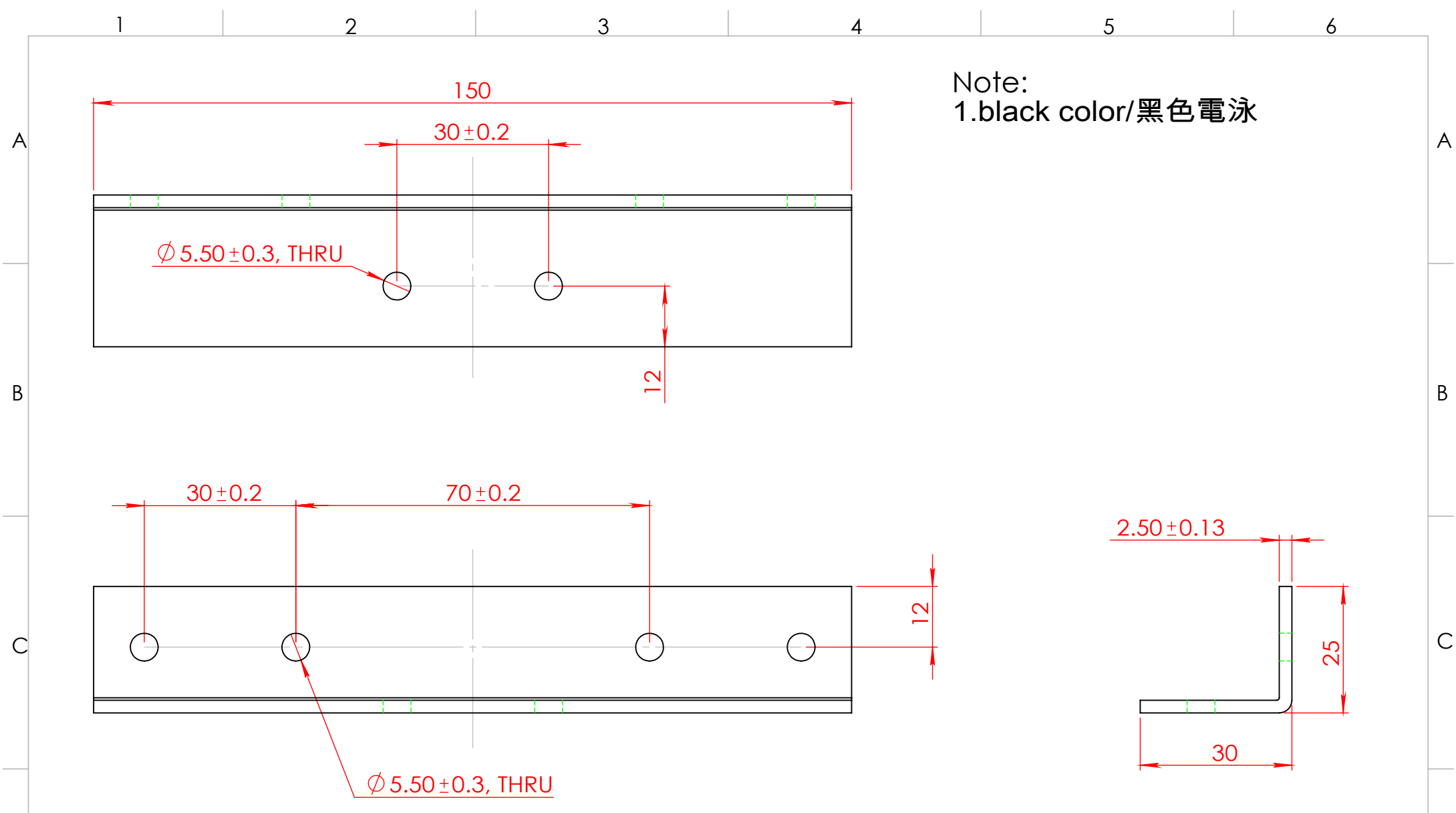
MARK	DESCRIPTION	DATE	APPROVED
2			
1			
REVISION			





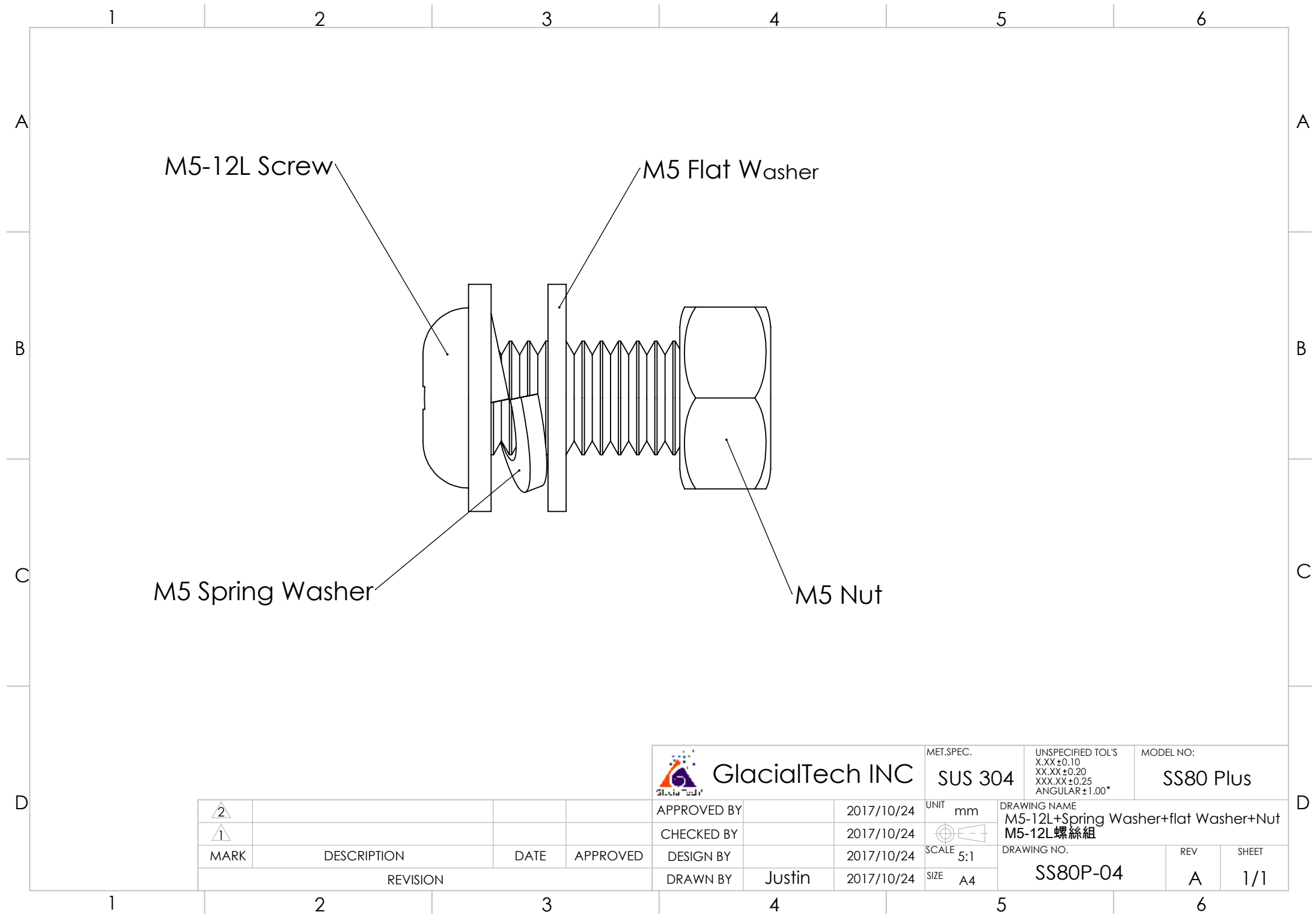
Note:black electrophoresis


 GlacialTech INC		MET.SPEC.	UNSPECIFIED TOL'S	MODEL NO:
		SPCC	0.5~6 ±0.20 6~30 ±0.50 30~315 ±0.80 315~1000 ±2	SS400
APPROVED BY	2018/4/3	UNIT	DRAWING NAME	
CHECKED BY	2018/4/3	mm	Driver Bracket for SS400 Single Unit Kit	
DESIGN BY	2018/4/3	SCALE	SS400 一對一電源支架	
DRAWN BY	2018/4/3	1:2	DRAWING NO.	REV
		SIZE	SS400-02	A
		A4		SHEET
				1/1

MARK	DESCRIPTION	DATE	APPROVED
2			
1			
REVISION			

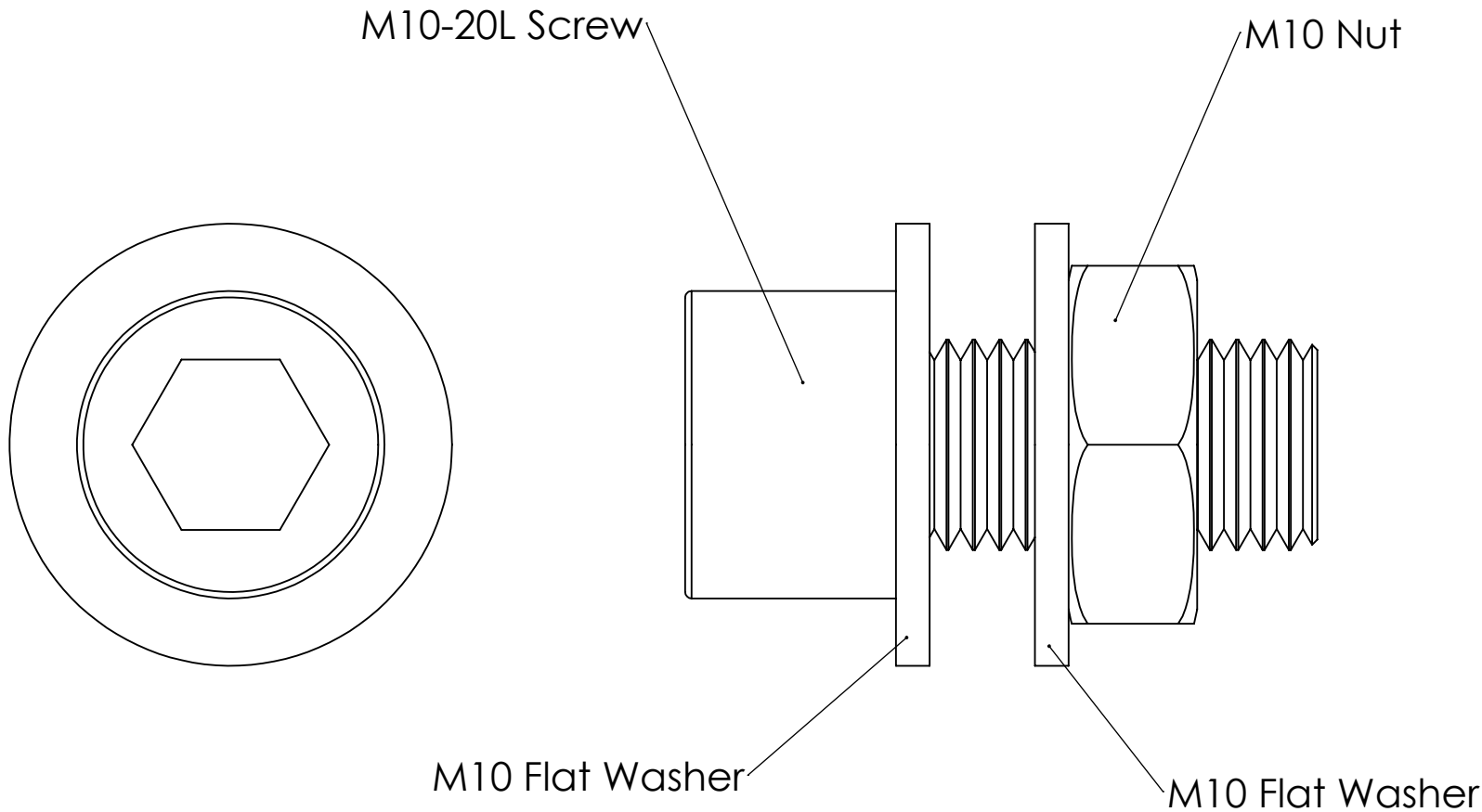



				 GlacialTech INC		MET.SPEC. SPCC T=2.5		UNSPECIFIED TOL'S 0.5-6 ±0.5 6-30 ±1.0 30-120 ±1.5 120-315 ±2.0		MODEL NO: SS80 Plus															
				APPROVED BY		2017/11/10	UNIT	DRAWING NAME																	
				CHECKED BY		2017/11/10		Driver Bridge for SS80 Plus Double Unit Kit																	
				DESIGN BY		2017/11/10	SCALE	SS80 Plus 2對1 電源角座																	
				DRAWN BY	Justin	2017/11/10	SIZE	DRAWING NO.		REV	SHEET														
<table border="1"> <thead> <tr> <th>MARK</th> <th>DESCRIPTION</th> <th>DATE</th> <th>APPROVED</th> </tr> </thead> <tbody> <tr> <td>2</td> <td></td> <td></td> <td></td> </tr> <tr> <td>1</td> <td></td> <td></td> <td></td> </tr> <tr> <td colspan="4">REVISION</td> </tr> </tbody> </table>				MARK	DESCRIPTION	DATE	APPROVED	2				1				REVISION						SS80P-23		B	1/1
MARK	DESCRIPTION	DATE	APPROVED																						
2																									
1																									
REVISION																									



 GlacialTech INC		MET.SPEC. SUS 304	UNSPECIFIED TOL'S X.XX±0.10 XX.XX±0.20 XXX.XX±0.25 ANGULAR±1.00°	MODEL NO: SS80 Plus
APPROVED BY		2017/10/24	UNIT mm	DRAWING NAME M5-12L+Spring Washer+flat Washer+Nut
CHECKED BY		2017/10/24	SCALE 5:1	M5-12L螺絲組
DESIGN BY		2017/10/24	SIZE A4	DRAWING NO. SS80P-04
DRAWN BY	Justin	2017/10/24		REV A
				SHEET 1/1

MARK	DESCRIPTION	DATE	APPROVED
2			
1			
REVISION			



 GlacialTech INC		MET.SPEC. SS304	UNSPECIFIED TOL'S X.XX±0.10 XX.XX±0.20 XXX.XX±0.25 ANGULAR±1.00°	MODEL NO: SS80 Plus
APPROVED BY		2017/10/24	UNIT mm	DRAWING NAME M10-20L+Flat Washer(x2)+Nut M10-20L螺絲組
CHECKED BY		2017/10/24	SCALE 3:1	
DESIGN BY		2017/10/24	SIZE A4	DRAWING NO. SS80P-06
DRAWN BY	Justin	2017/10/24		REV A
				SHEET 1/1

MARK	DESCRIPTION	DATE	APPROVED
2			
1			
REVISION			