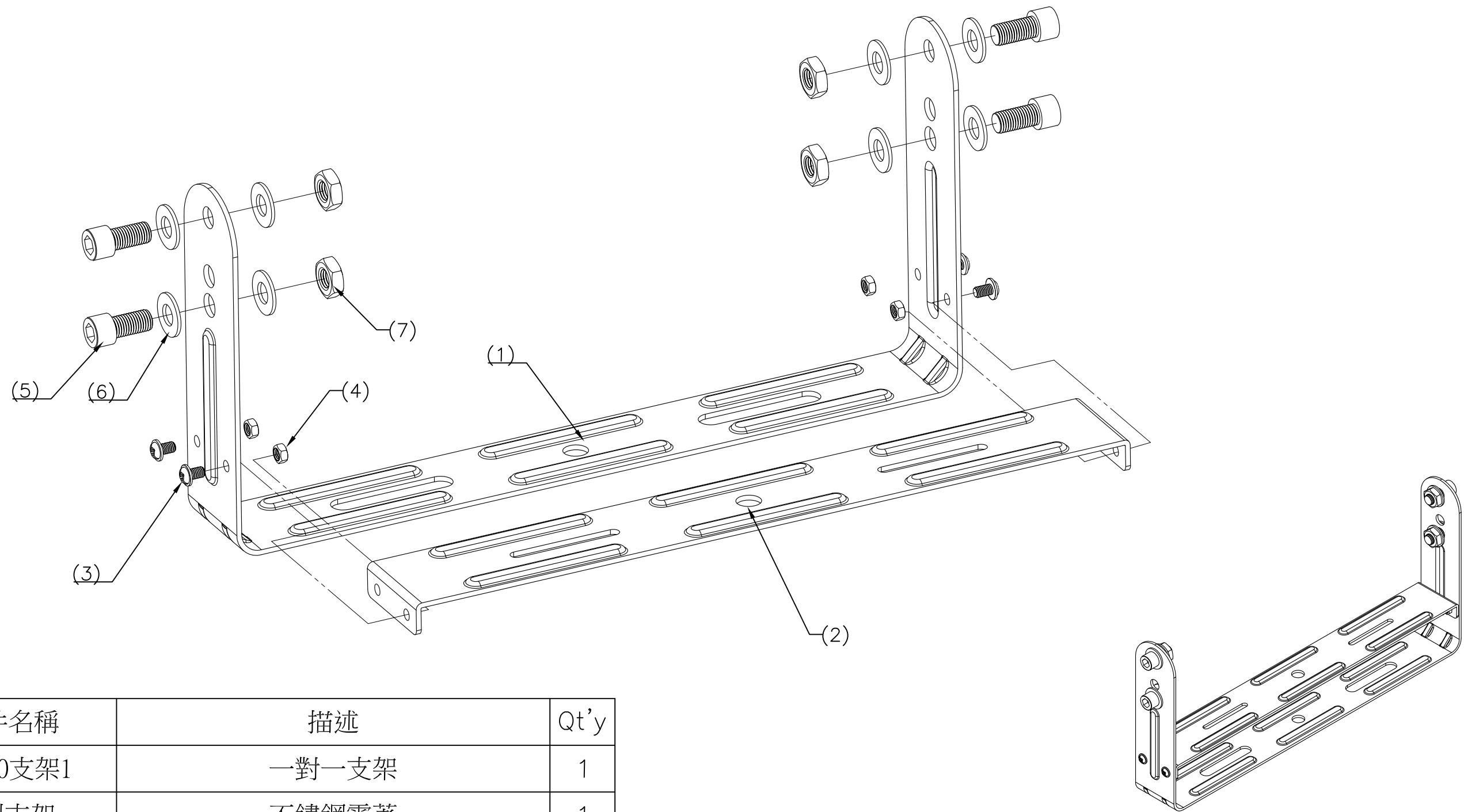

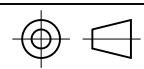


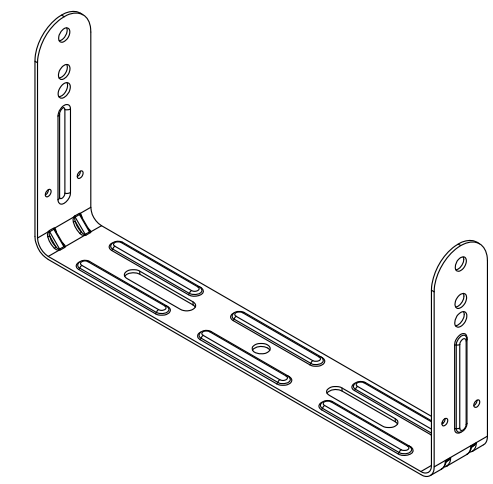
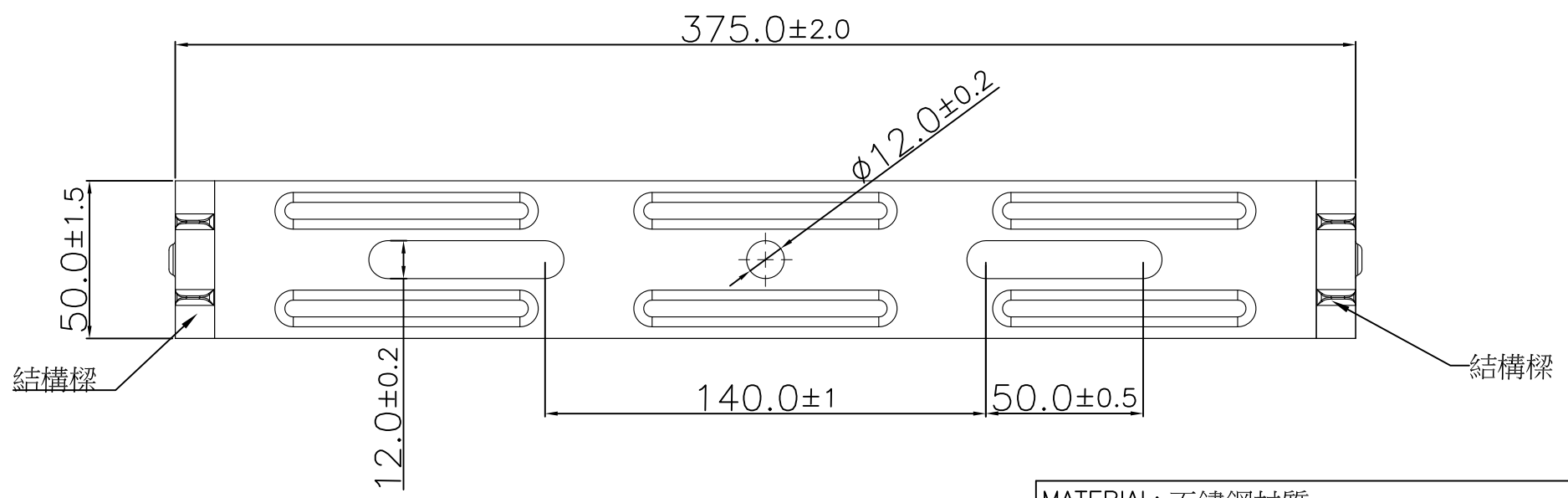
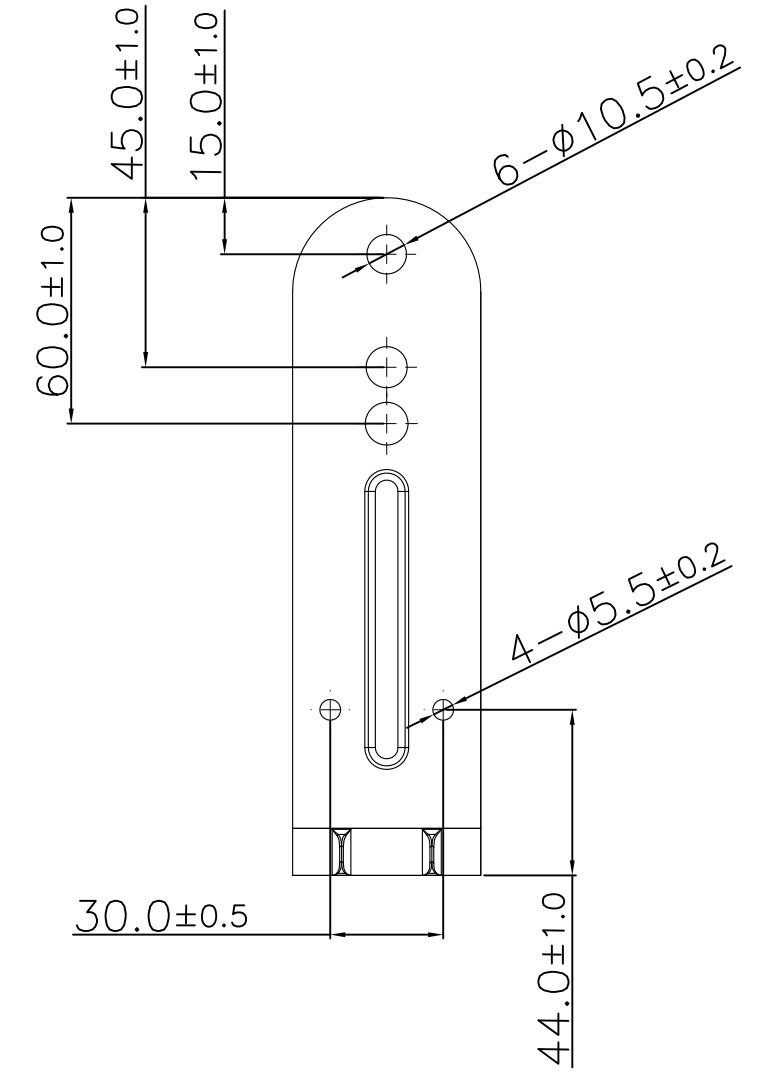
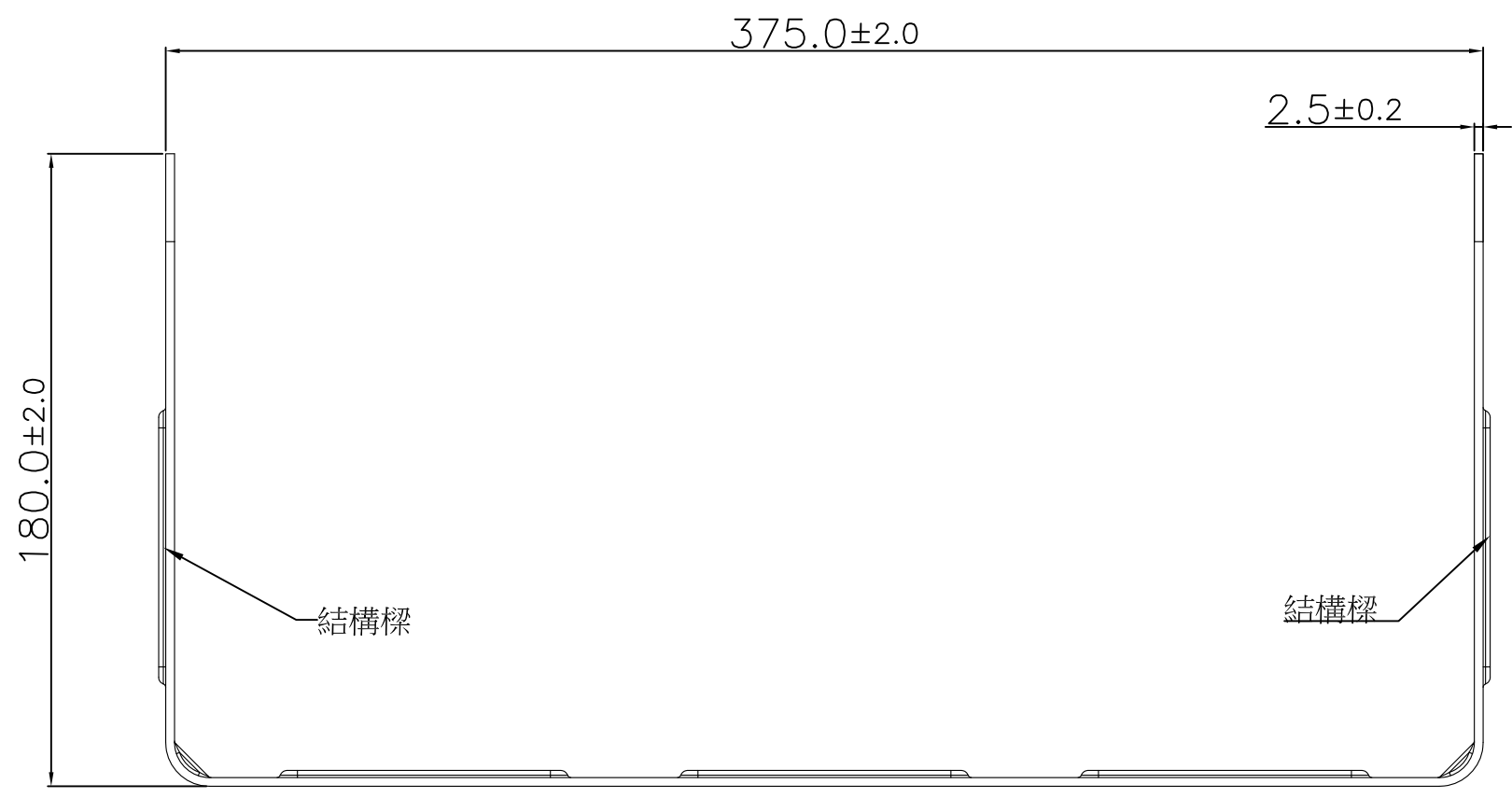
REV	DESCRIPTION	APPROVED	DATE
△	NEW		2/21/2017




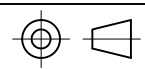
No.	零件名稱	描述	Qt'y
1	SS120支架1	一對一支架	1
2	U型支架	不鏽鋼電著	1
3	M5螺絲	M5x16 不鏽鋼組合螺絲	4
4	M5螺帽	M5不鏽鋼螺帽	4
5	M10螺絲	M10x20內六角不鏽鋼螺絲	4
6	M10平華司	M10不鏽鋼華司	8
7	M10螺帽	M10不鏽鋼螺帽	4

MATERIAL: 不鏽鋼材質				Finish 支架-電著, 螺絲-本色		
DIM.	TOL.	Matel	Plastic	USER	PART NO. CT-SS120000AB2002	
0 ~ 6		0.10	0.10		UNIT:mm	TITLE: <i>GL-PROJECT</i> SS120 Single unit kit
6 ~ 30		0.15	0.15		SCALE: 1/2	
30 ~ 120		0.20	0.25		DRAWN: Ryan 2/21/2017	DWG NO. RF03-03B
120 ~ 300		0.25	0.40		CHECKED:	
300 ~ 600		0.40	0.60		APPROVED:	SIZE: A3 SHEET 1 OF 5
600 ~ 1200		0.70	0.80			
MATERIAL				1'		

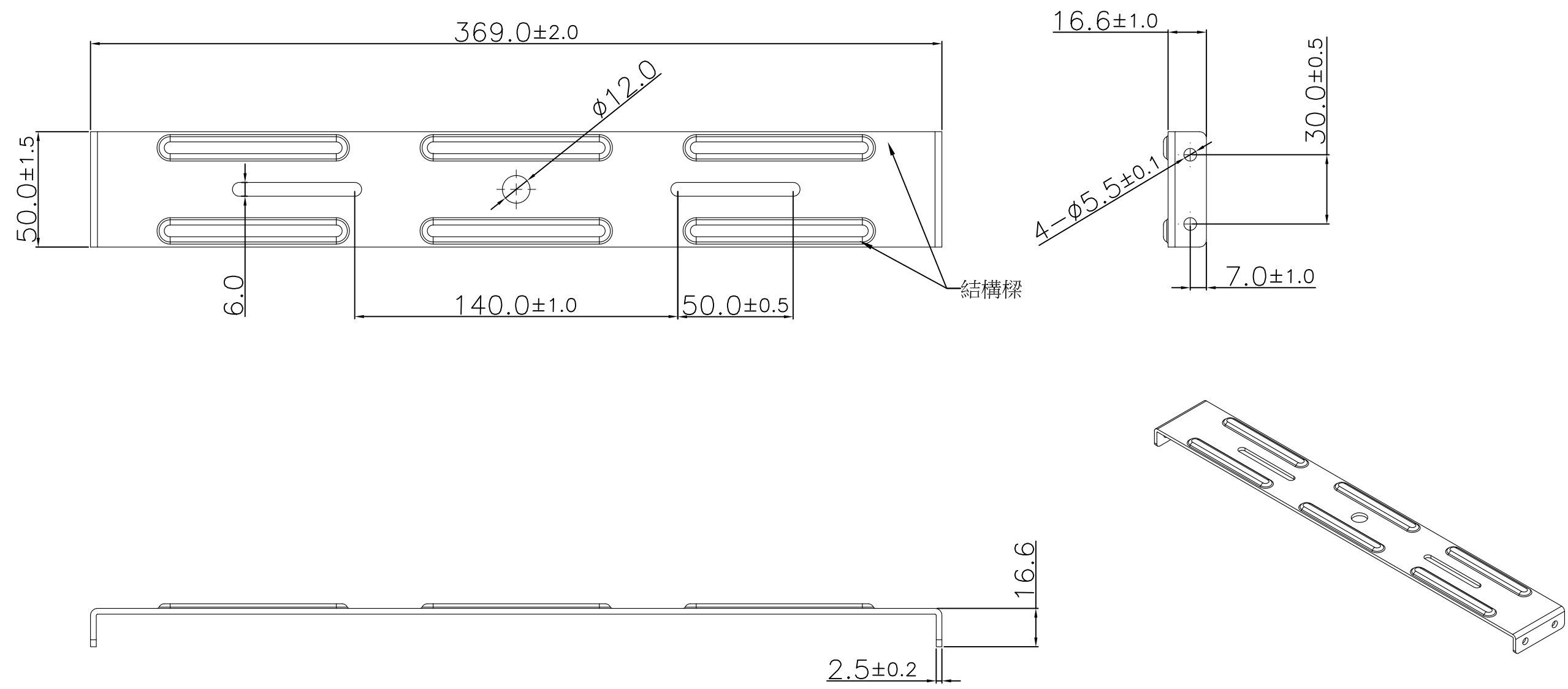
REV	DESCRIPTION	APPROVED	DATE
△	NEW		2/21/2017




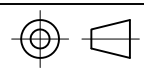
材質：不鏽鋼電著
SS120 支架 1

MATERIAL: 不鏽鋼材質				Finish 支架-電著, 螺絲-本色			
				PART NO. CT-SS120000AB2002			
DIM.	TOL.	Matel	Plastic	USER	UNIT:mm	SCALE: 1/2	TITLE: GL-PROJECT
0 ~ 6		0.10	0.10				SS120 Single unit kit
6 ~ 30		0.15	0.15				
30 ~ 120		0.20	0.25				
120 ~ 300		0.25	0.40				
300 ~ 600		0.40	0.60				
600 ~ 1200		0.70	0.80				
MATERIAL		1'			CHECKED:		DWG NO. RF03-03B
					APPROVED:		SIZE: A3

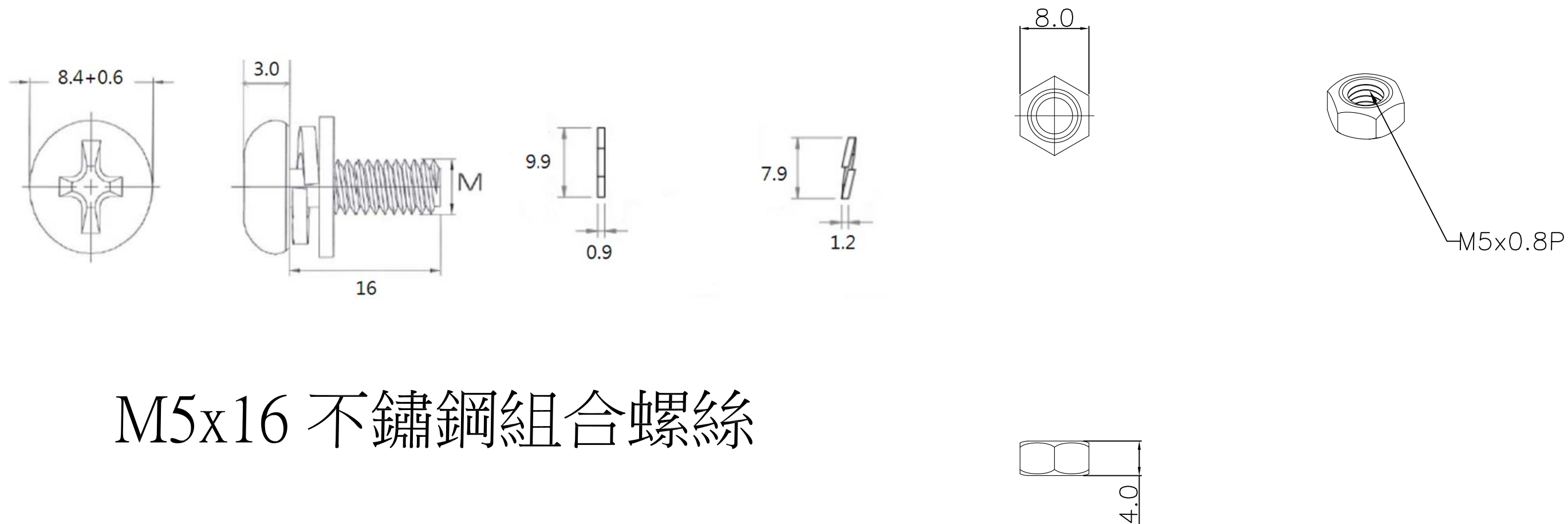
REV	DESCRIPTION	APPROVED	DATE
△	NEW		2/21/2017



材質：不鏽鋼電著
U型支架

MATERIAL: 不鏽鋼材質				Finish 支架-電著, 螺絲-本色			
				PART NO. CT-SS120000AB2002			
DIM.	TOL.	Matel	Plastic	USER	UNIT:mm	SCALE: 1/2	TITLE: GL-PROJECT
0 ~ 6		0.10	0.10				SS120 Single unit kit
6 ~ 30		0.15	0.15				
30 ~ 120		0.20	0.25				
120 ~ 300		0.25	0.40				
300 ~ 600		0.40	0.60				
600 ~ 1200		0.70	0.80				
MATERIAL		1*			DRAWN: Ryan 2/21/2017		DWG NO. RF03-03B
					CHECKED:		SIZE: A3
					APPROVED:		SHEET 3 OF 5

REV	DESCRIPTION	APPROVED	DATE
A	NEW		2/21/2017

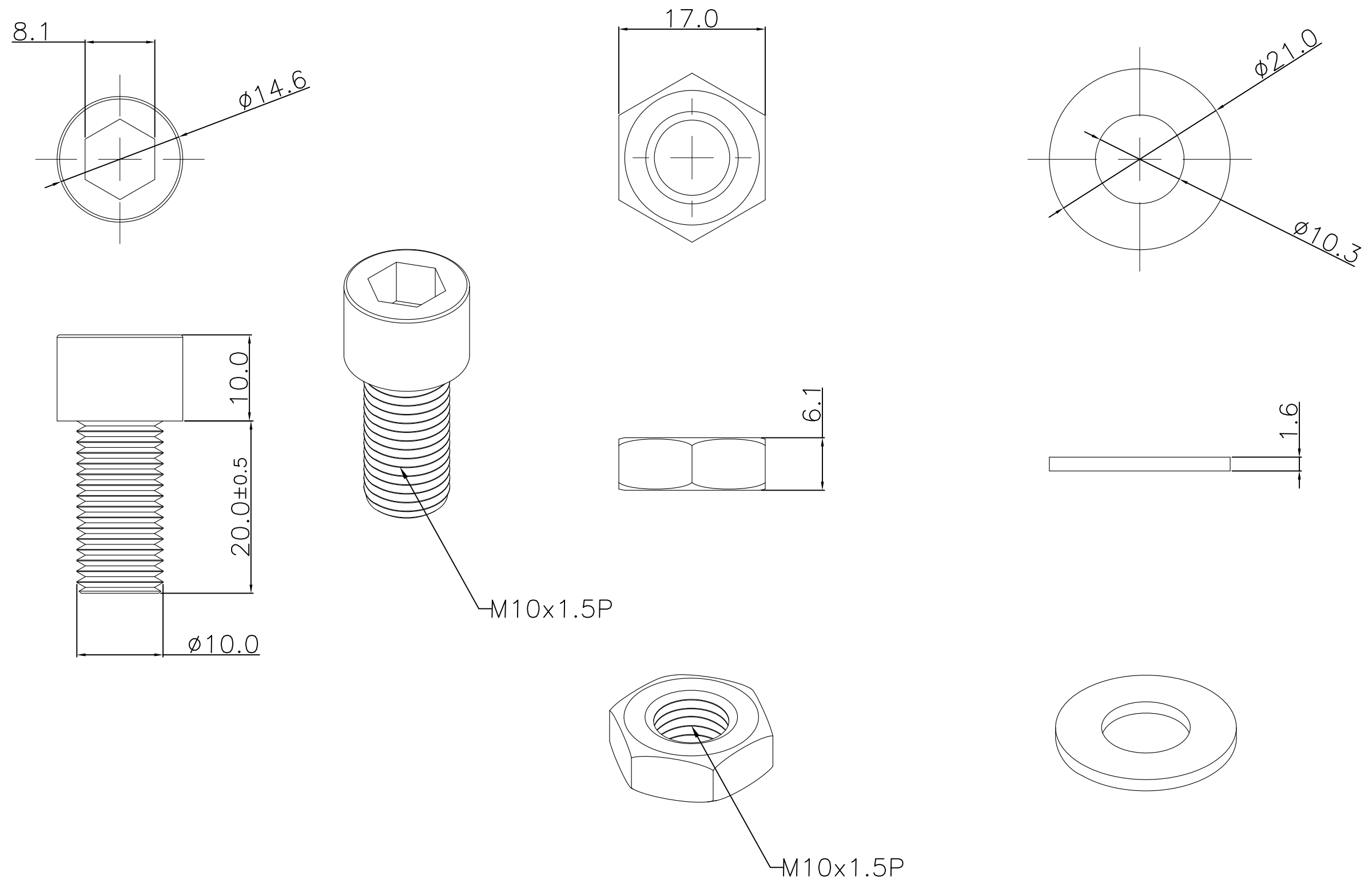


M5x16 不鏽鋼組合螺絲


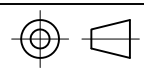
材質：不鏽鋼304

MATERIAL: 不鏽鋼材質				Finish 支架-電著, 螺絲-本色			
DIM.	TOL.	Matel	Plastic	USER	PART NO. CT-SS120000AB2002		
0 ~ 6		0.10	0.10		UNIT: mm	SCALE: 1/2	TITLE: <i>GL-PROJECT</i> SS120 Single unit kit
6 ~ 30		0.15	0.15		DRAWN: Ryan 2/21/2017		
30 ~ 120		0.20	0.25		CHECKED:		DWG NO. RF03-03B
120 ~ 300		0.25	0.40		APPROVED:		SIZE: A3 SHEET 4 OF 5
300 ~ 600		0.40	0.60				
600 ~ 1200		0.70	0.80				
MATERIAL		1*					

REV	DESCRIPTION	APPROVED	DATE
△	NEW		2/21/2017



材質：不鏽鋼本色

MATERIAL: 不鏽鋼材質				Finish 支架-電著, 螺絲-本色			
				PART NO. CT-SS120000AB2002			
DIM.	TOL.	Matel	Plastic	USER	UNIT:mm	SCALE: 1/2	TITLE: GL-PROJECT
0 ~ 6		0.10	0.10				SS120 Single unit kit
6 ~ 30		0.15	0.15				
30 ~ 120		0.20	0.25				
120 ~ 300		0.25	0.40				
300 ~ 600		0.40	0.60				
600 ~ 1200		0.70	0.80				
MATERIAL		1*			DRAWN: Ryan 2/21/2017		DWG NO. RF03-03B
					CHECKED:		SIZE: A3
					APPROVED:		SHEET 5 OF 5