

1 2 3 4 5 6

item no.	drawing no.	description	qty
1	SS80P-21 B	U Type Bracket	1
2	SS80P-22 A	Driver Bracket	2
3	SS80P-23 B	Driver Bridge	2
4	SS80P-24 A	V Type Bracket	2
5	SS80P-03 A	Heatsink Bracket	4
6	SS80P-04 A	M5-12L Screw	12
7	SS80P-05 A	M5-16L Screw	12
8	SS80P-06 A	M10-20L Screw	12

A

A

B

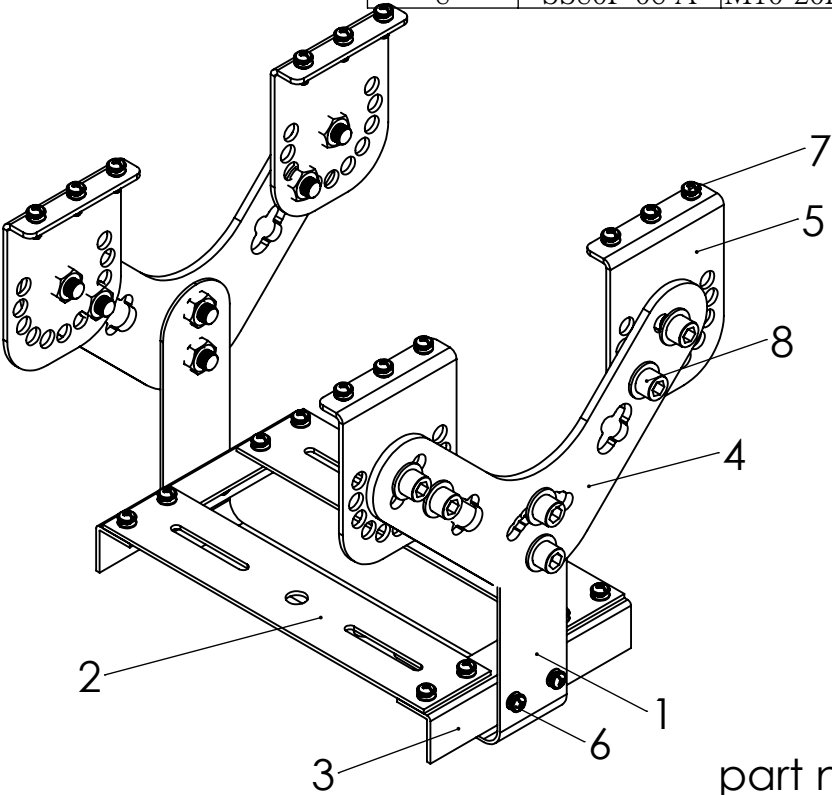
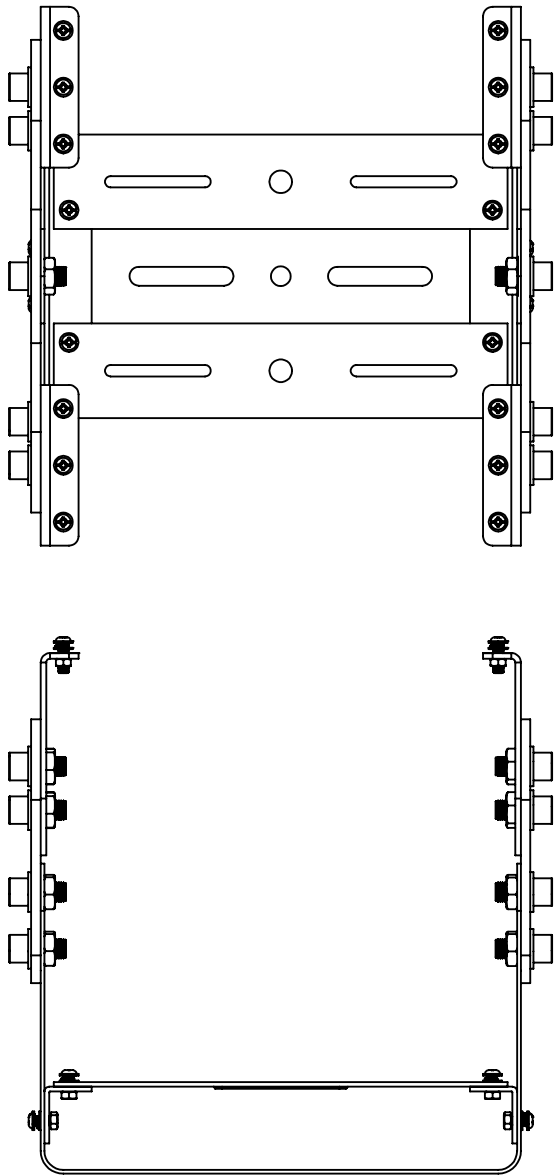
B

C


C

D

D

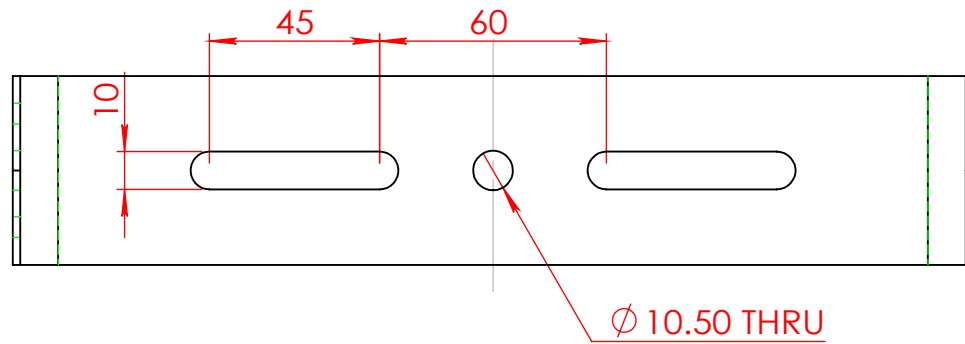


part no.:CT-SS080P00AB2001

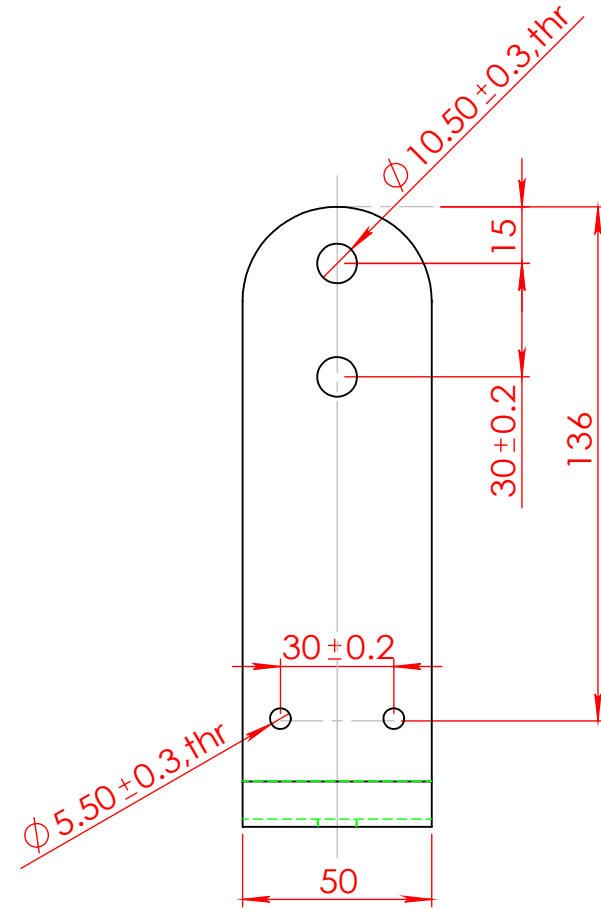
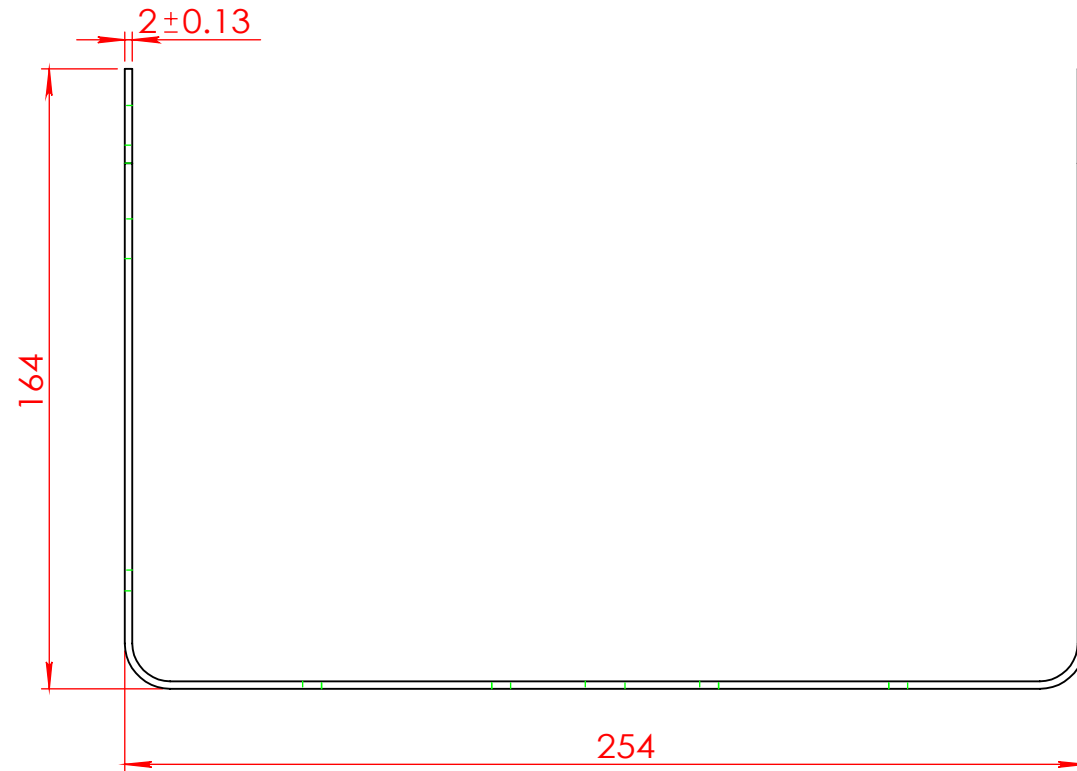
 GlacialTech INC		MET.SPEC.	UNSPECIFIED TOL'S X.XX±0.10 XX.XX±0.20 XXX.XX±0.25 ANGULAR±1.00°	MODEL NO: SS80 Plus
APPROVED BY	2017/11/10	UNIT	DRAWING NAME	
CHECKED BY	2017/11/10	SCALE	SS80 Plus Double Unit Kit	
DESIGN BY	2017/11/10	SIZE	SS80 Plus 2對1 支架總成圖	
DRAWN BY	Justin	2017/11/10	DRAWING NO.	REV
			SS80Pa21	B
				SHEET
				1/1


MARK	DESCRIPTION	DATE	APPROVED
2			
1			
REVISION			

1 2 3 4 5 6



Note:
1. black color/黑色電泳

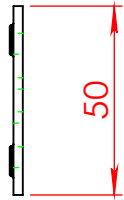
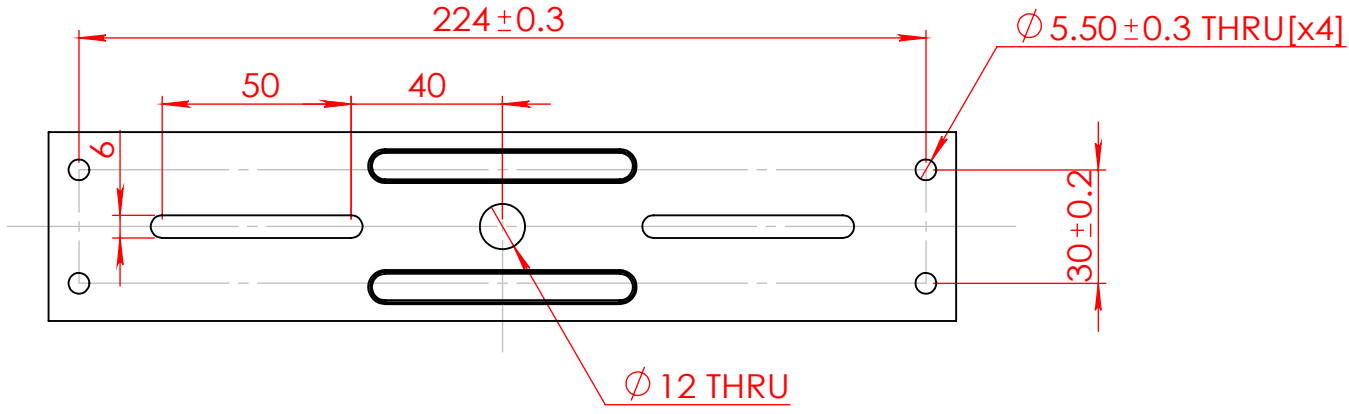
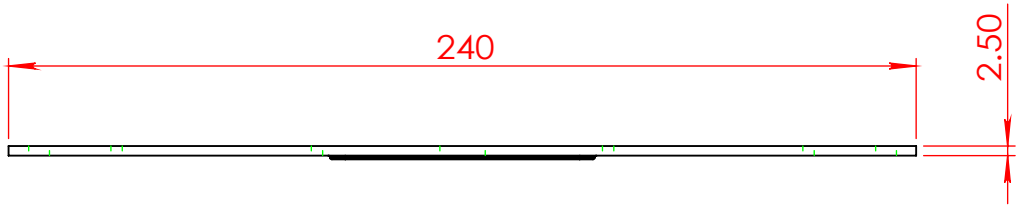


 GlacialTech INC		MET.SPEC.	SUS201	UNSPECIFIED TOL'S	MODEL NO:
		UNIT	mm	0.5-6 ±0.5 6-30 ±1.0 30-120 ±1.5 120-315 ±2.0	SS80 Plus
APPROVED BY		2017/11/10	DRAWING NAME		
CHECKED BY		2017/11/10	U Type Bracket for SS80 Plus Double Unit Kit		
DESIGN BY		2017/11/10	SS80 Plus 2對1 U型支架		
DRAWN BY	Justin	2017/11/10	SCALE	1:2	DRAWING NO.
			SIZE	A4	SS80P-21
					REV
					B
					SHEET
					1/1

MARK	DESCRIPTION	DATE	APPROVED
2			
1			
REVISION			


1 2 3 4 5 6

Note:
1. black color/黑色電泳



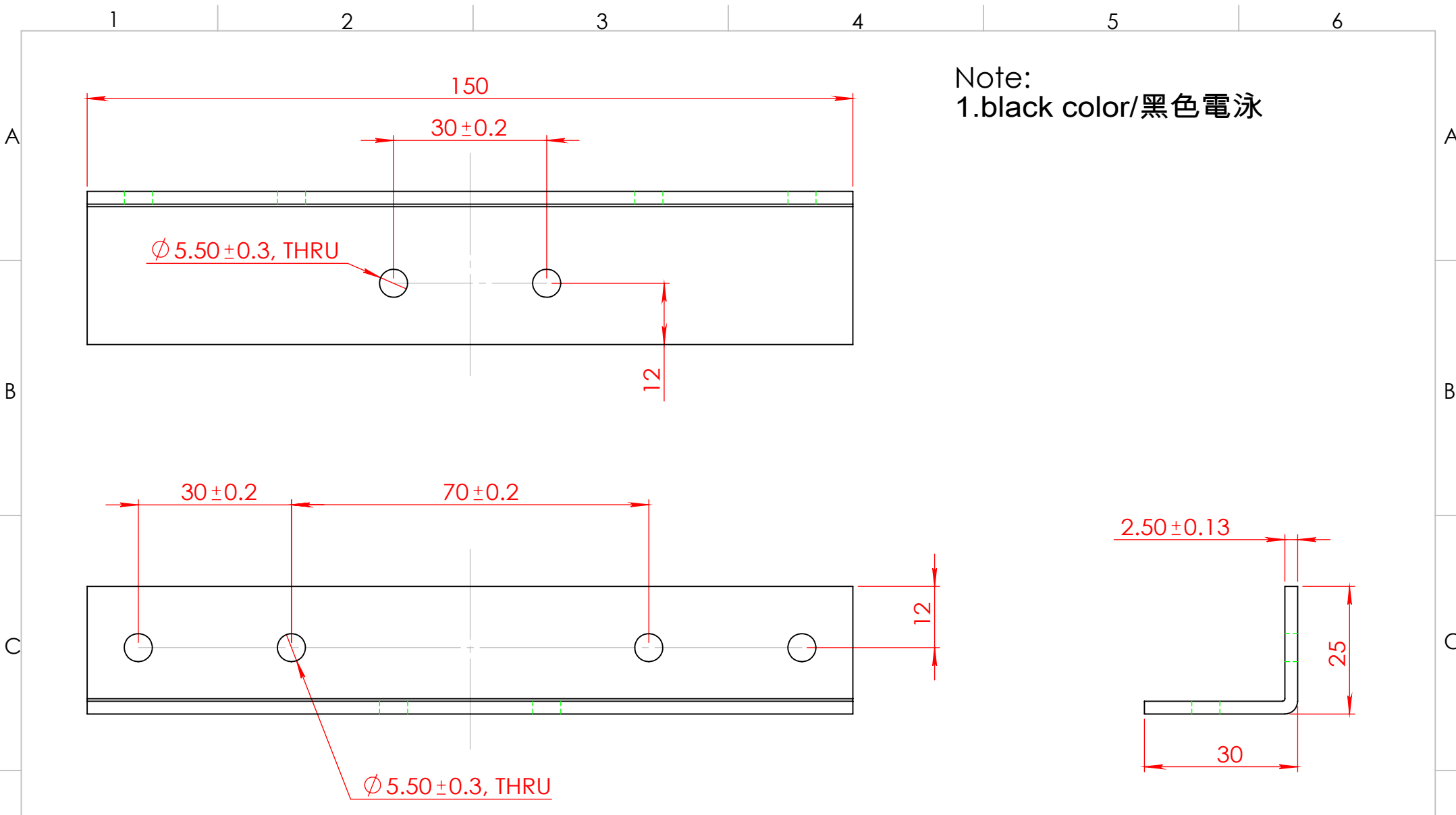
A
B
C
D

A
B
C
D


 GlacialTech INC		MET.SPEC.	UNSPECIFIED TOL'S	MODEL NO:	
		SPCC T=2.5	0.5-6 ±0.5 6-30 ±1.0 30-120 ±1.5 120-315 ±2.0	SS80 Plus	
APPROVED BY	2017/10/24	UNIT	DRAWING NAME		
CHECKED BY	2017/10/24	mm	Driver Bracket for SS80 Plus Double Unit Kit		
DESIGN BY	2017/10/24	SCALE	SS80 Plus 2對1電源支架		
DRAWN BY	Justin	1:2	DRAWING NO.	REV	SHEET
	2017/10/24	A4	SS80P-22	A	1/1

MARK	REVISION	DESCRIPTION	DATE	APPROVED
2				
1				

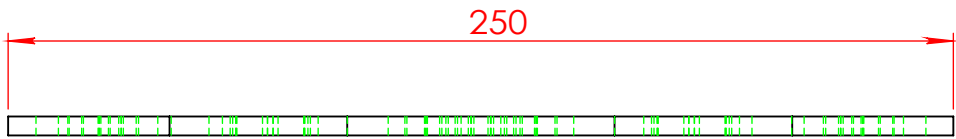
1 2 3 4 5 6



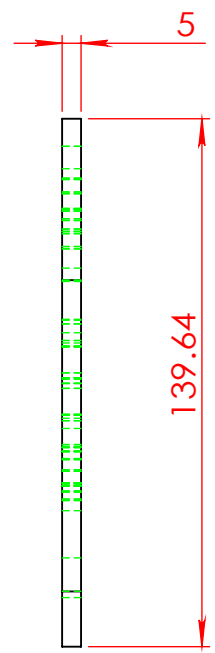
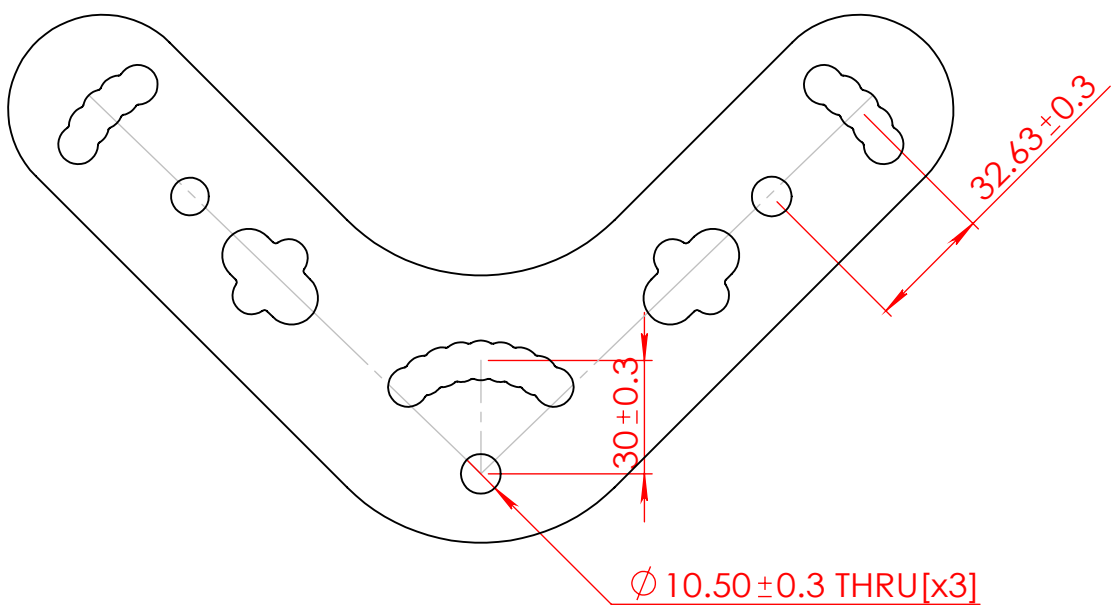
MARK	DESCRIPTION	DATE	APPROVED
2			
1			
	REVISION		

 GlacialTech INC		MET.SPEC.	UNSPECIFIED TOL'S	MODEL NO:
		SPCC	0.5-6 ±0.5 6-30 ±1.0 30-120 ±1.5 120-315 ±2.0	SS80 Plus
APPROVED BY		2017/11/10	DRAWING NAME	
CHECKED BY		2017/11/10	Driver Bridge for SS80 Plus Double Unit Kit	
DESIGN BY		2017/11/10	SS80 Plus 2對1 電源角座	
DRAWN BY	Justin	2017/11/10	DRAWING NO.	REV
			SS80P-23	B
				SHEET
				1/1

1 2 3 4 5 6



Note:
1. black color/黑色電泳



MARK	DESCRIPTION	DATE	APPROVED
2			
1			
	REVISION		

		MET.SPEC.	UNSPECIFIED TOL'S	MODEL NO:		
GlacialTech INC		AL1100	0.5-6 ±0.5 6-30 ±1.0 30-120 ±1.5 120-315 ±2.0	SS80 Plus		
APPROVED BY		2017/10/24	UNIT mm	DRAWING NAME V Type Bracket for SS80 Plus Double Unit Kit SS80 Plus 2對1 V型支架		
CHECKED BY		2017/10/24	SCALE 1:2			
DESIGN BY		2017/10/24	SIZE A4	DRAWING NO.	REV	SHEET
DRAWN BY	Justin	2017/10/24		SS80P-24	A	1/1

1 2 3 4 5 6

A

A

B

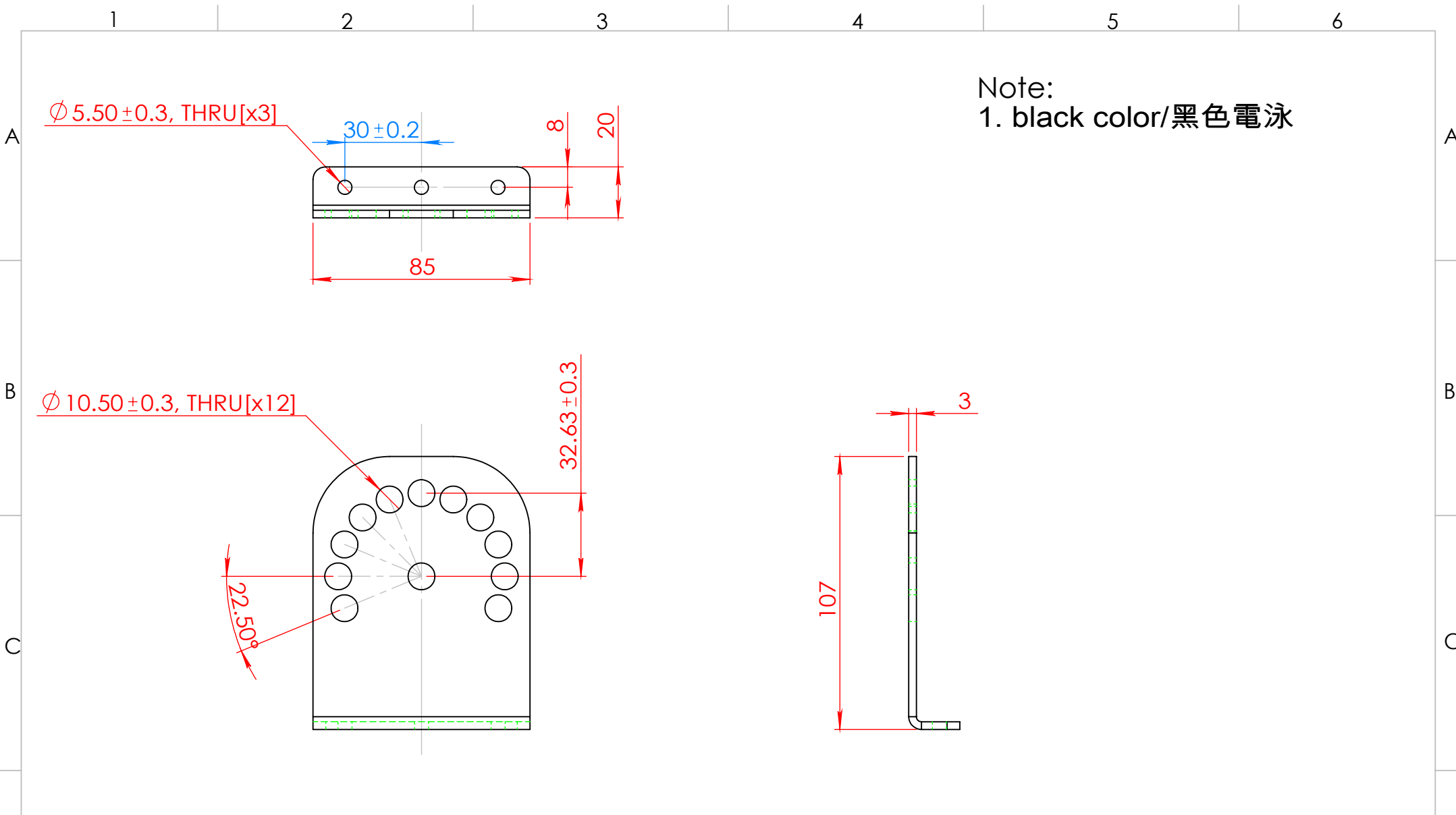
B

C


C

D

D



Note:
1. black color/黑色電泳

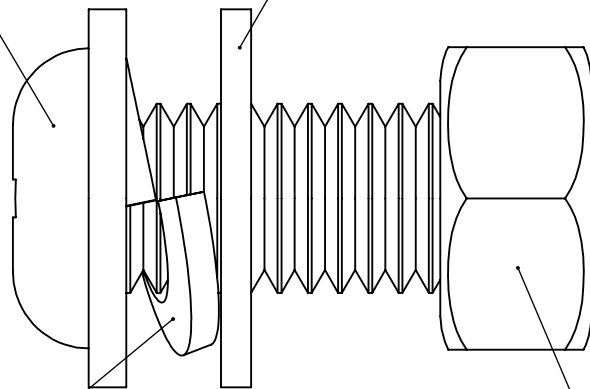
 GlacialTech INC				MET.SPEC.	AL1100 T=3.0	UNSPECIFIED TOL'S	MODEL NO:
				UNIT	mm	0.5~6 ±0.5 6~30 ±1.0 30~120 ±1.5	SS80 Plus
APPROVED BY		2017/10/24	DRAWING NAME				
CHECKED BY		2017/10/24	Heatsink Bracket for SS80 Plus Single Unit Kit				
DESIGN BY		2017/10/24	SS80 Plus 1對1散熱片側板				
DRAWN BY	Justin	2017/10/24	SCALE	1:2	DRAWING NO.	REV	SHEET
REVISION			SIZE	A4	SS80P-03	A	1/1


M5-12L Screw

M5 Flat Washer

M5 Spring Washer

M5 Nut



 GlacialTech INC		MET.SPEC. SUS 304	UNSPECIFIED TOL'S X.XX±0.10 XX.XX±0.20 XXX.XX±0.25 ANGULAR±1.00°	MODEL NO: SS80 Plus
APPROVED BY		2017/10/24	UNIT mm	DRAWING NAME M5-12L+Spring Washer+flat Washer+Nut
CHECKED BY		2017/10/24	SCALE 5:1	M5-12L螺絲組
DESIGN BY		2017/10/24	SIZE A4	DRAWING NO. SS80P-04
DRAWN BY	Justin	2017/10/24		REV A
				SHEET 1/1

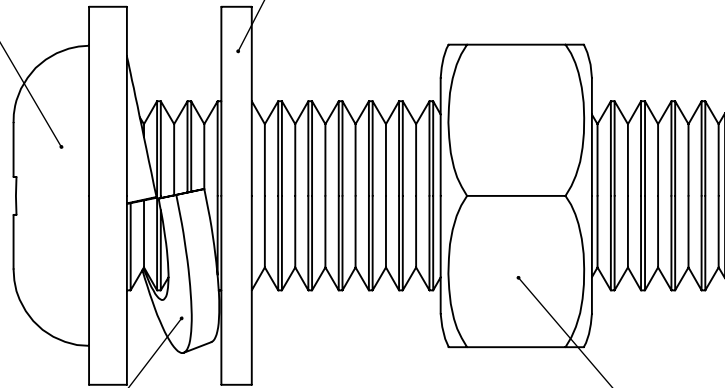
MARK	DESCRIPTION	DATE	APPROVED
2			
1			
REVISION			



M5-16L Screw

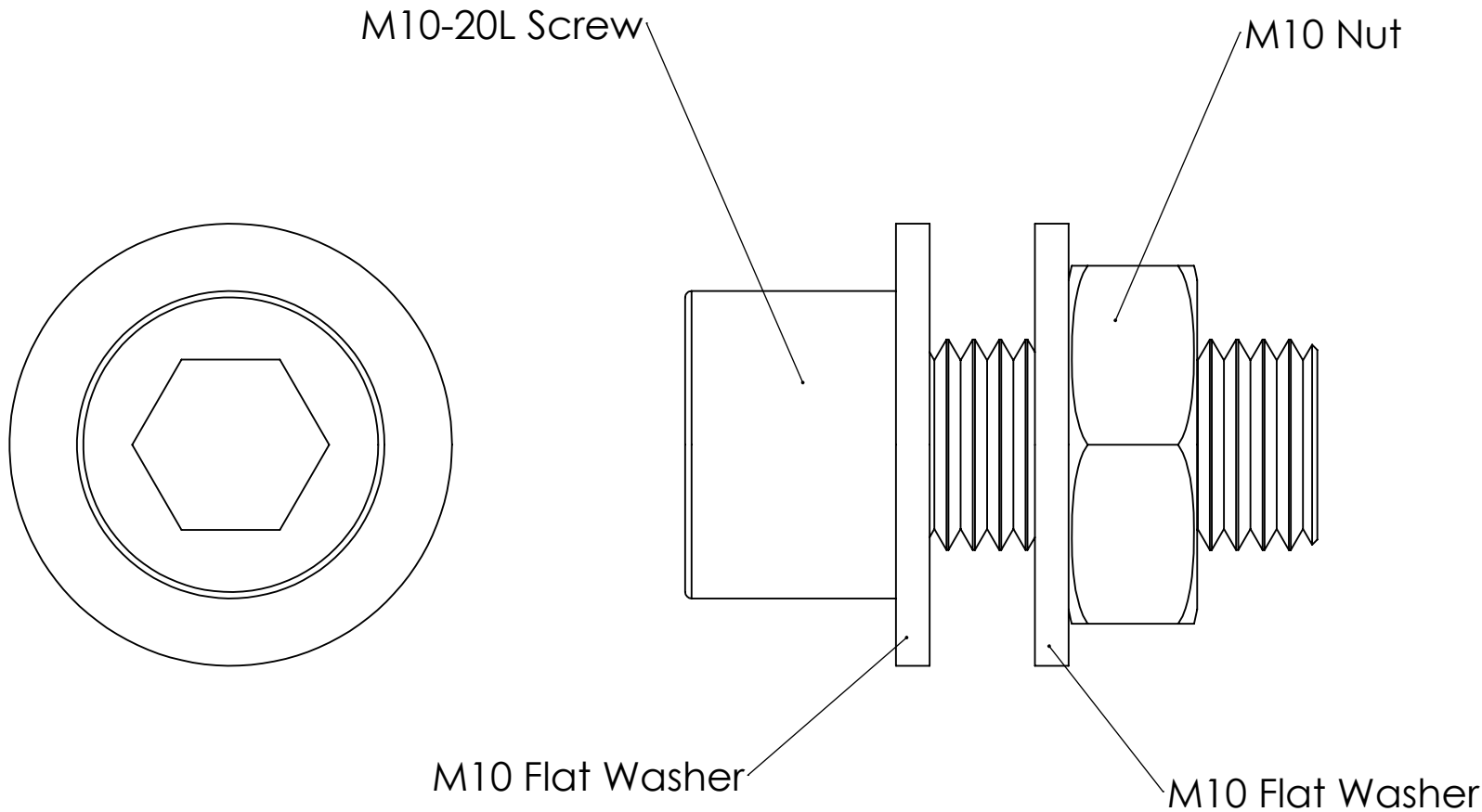
M5 Flat Washer


M5 Spring Washer

M5 Nut



 GlacialTech INC				MET.SPEC.	UNSPECIFIED TOL'S	MODEL NO:			
				SUS304	X.XX±0.10 XX.XX±0.20 XXX.XX±0.25 ANGULAR±1.00°	SS80 Plus			
2				APPROVED BY	2017/10/24	UNIT mm			
1				CHECKED BY	2017/10/24	 M5-16L+Spring Washer+Flat Washer+Nut M5-16L 螺絲組			
MARK	DESCRIPTION	DATE	APPROVED	DESIGN BY	2017/10/24		SCALE 5:1		
REVISION				DRAWN BY	Justin	2017/10/24	DRAWING NO.	REV	SHEET
							SS80P-05	A	1/1
							SIZE A4		



 GlacialTech INC		MET.SPEC. SS304	UNSPECIFIED TOL'S X.XX±0.10 XX.XX±0.20 XXX.XX±0.25 ANGULAR±1.00°	MODEL NO: SS80 Plus
APPROVED BY		2017/10/24	UNIT mm	DRAWING NAME M10-20L+Flat Washer(x2)+Nut M10-20L螺絲組
CHECKED BY		2017/10/24	SCALE 3:1	
DESIGN BY		2017/10/24	SIZE A4	DRAWING NO. SS80P-06
DRAWN BY	Justin	2017/10/24		REV A

MARK	DESCRIPTION	DATE	APPROVED
2			
1			
REVISION			